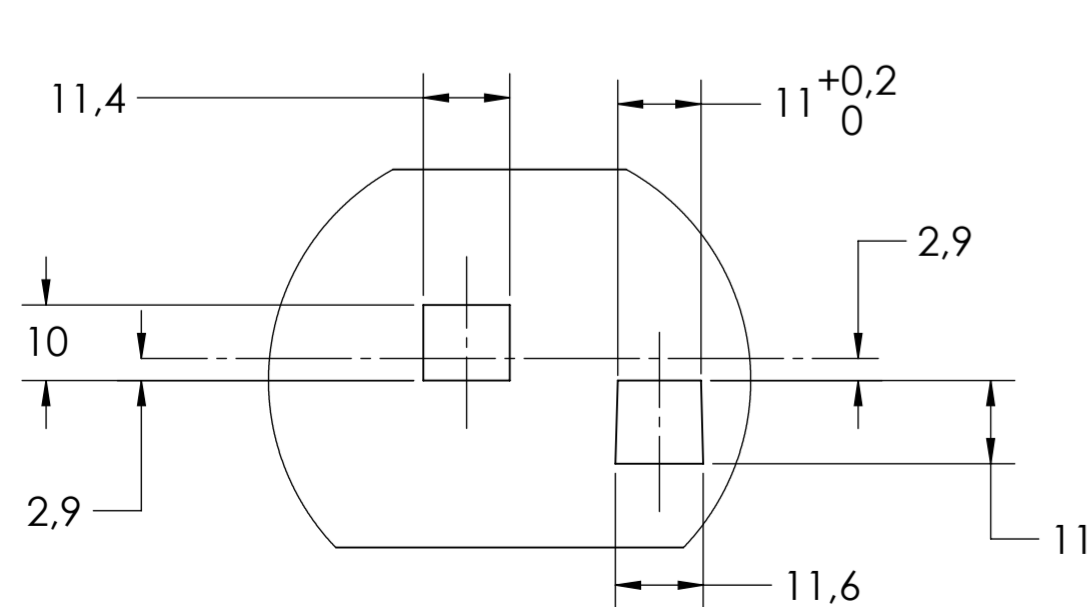
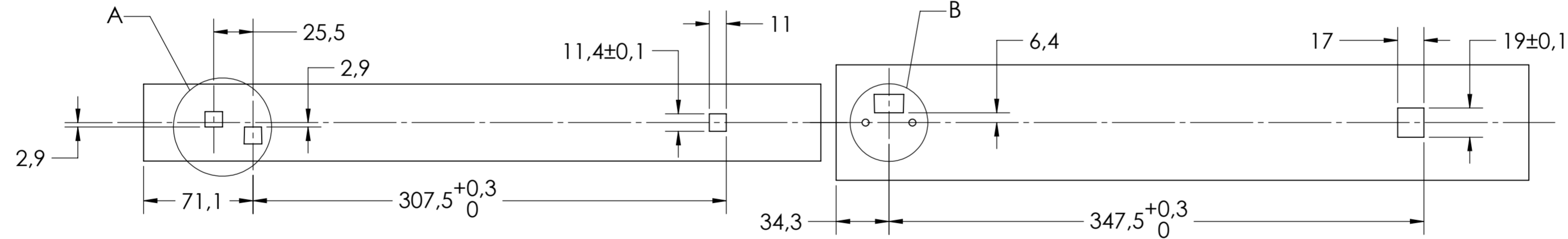
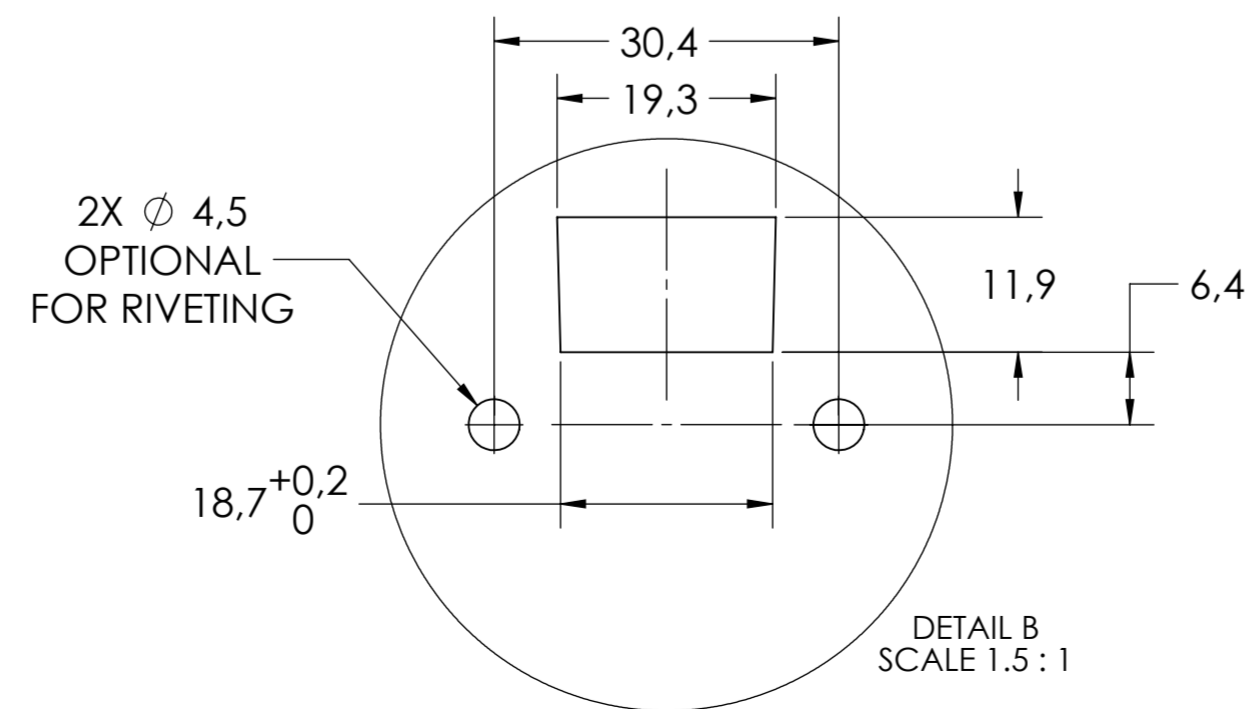


DRAWER MOUNTING CUTOUTS

CABINET MOUNTING CUTOUTS



DETAIL A
SCALE 1:1



DETAIL B
SCALE 1.5:1

ECD SPRING FORCE: 19N ± 2N PER SLIDE

general tolerances		DIN ISO 128-30 missing dimensions see 3D = theor. intersection	
ISO 2768-m			
This drawing remains our property and may not be multiplied neither be disclosed to third parties (§§1,3 and 5 from the copyright Act (UrhG)) covered according to DIN ISO 16016			
scale: 3:8		surface: HB	
drawn: 15-02-2019		name: HB	
proven: 00-00-0000		00	
		material, semi finished parts: STEEL (technical requirements Fulterer)	
drawing number: 5001.450-GA.T104		description: SIDE MOUNT FULL EXTENSION SMT (0.9) SOFT CLOSE DRAWER SLIDE WITH DISCONNECT	
replaces version date:		drawing number: 5001.450-GA.T104	
ind.	changes	date	na.