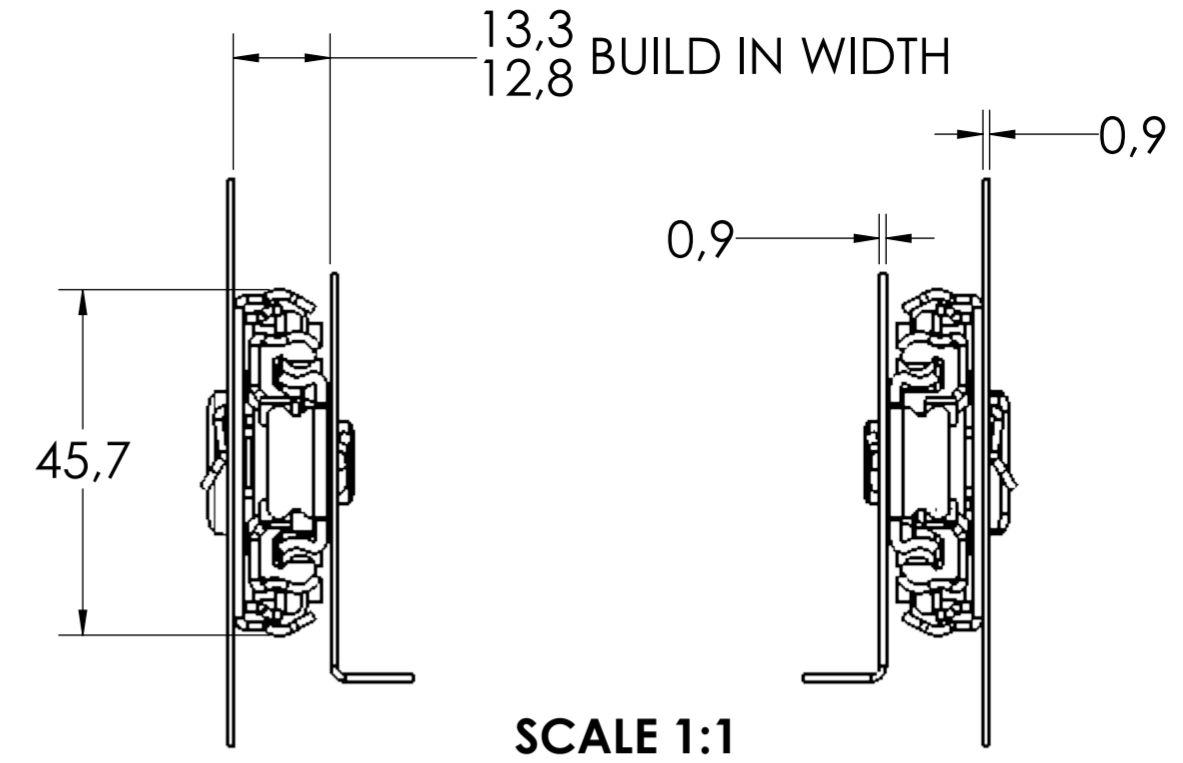
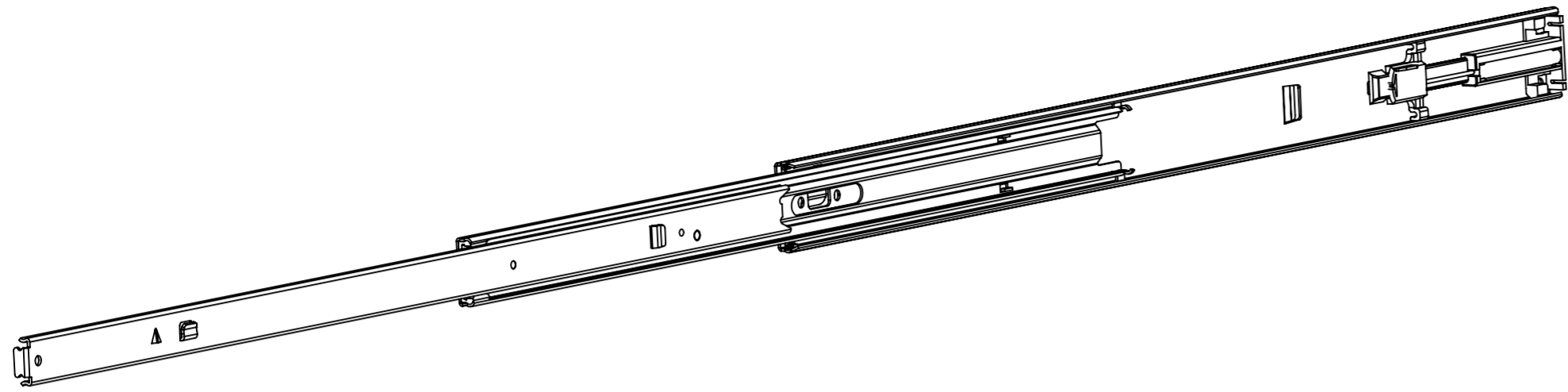
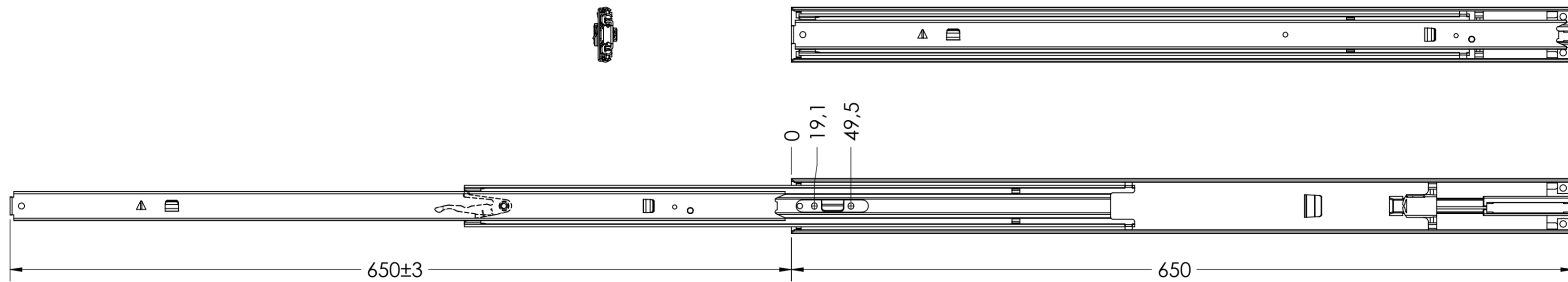


5001.650-GA.T104

X

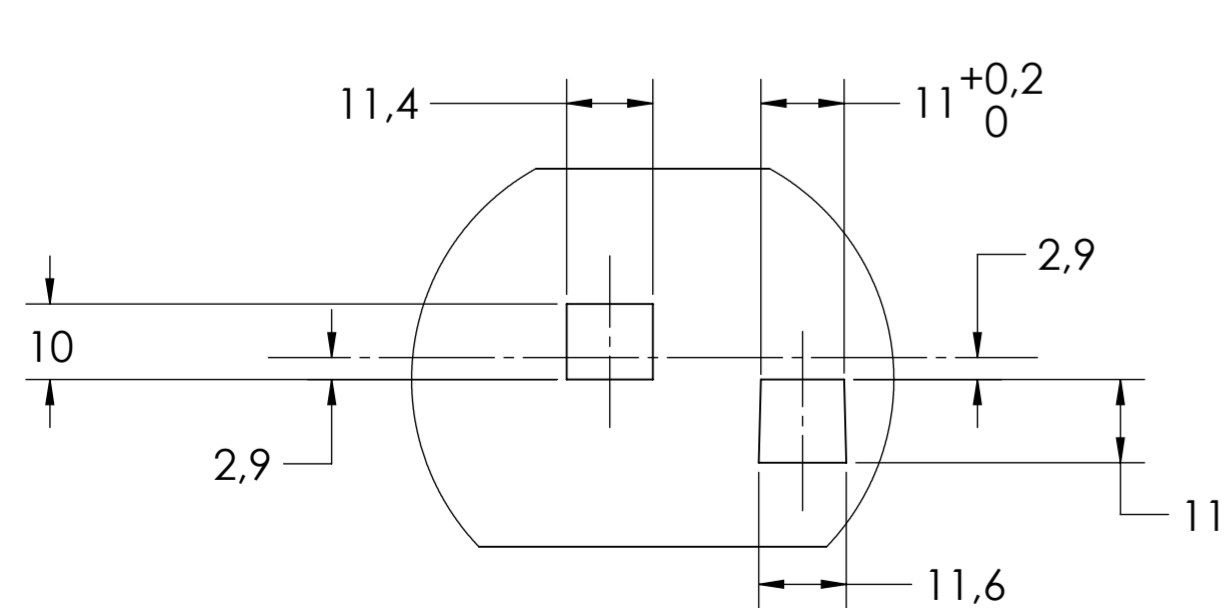
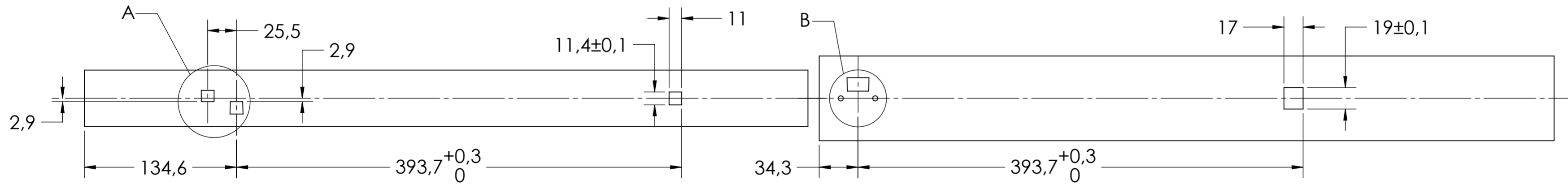


SCALE 1:1

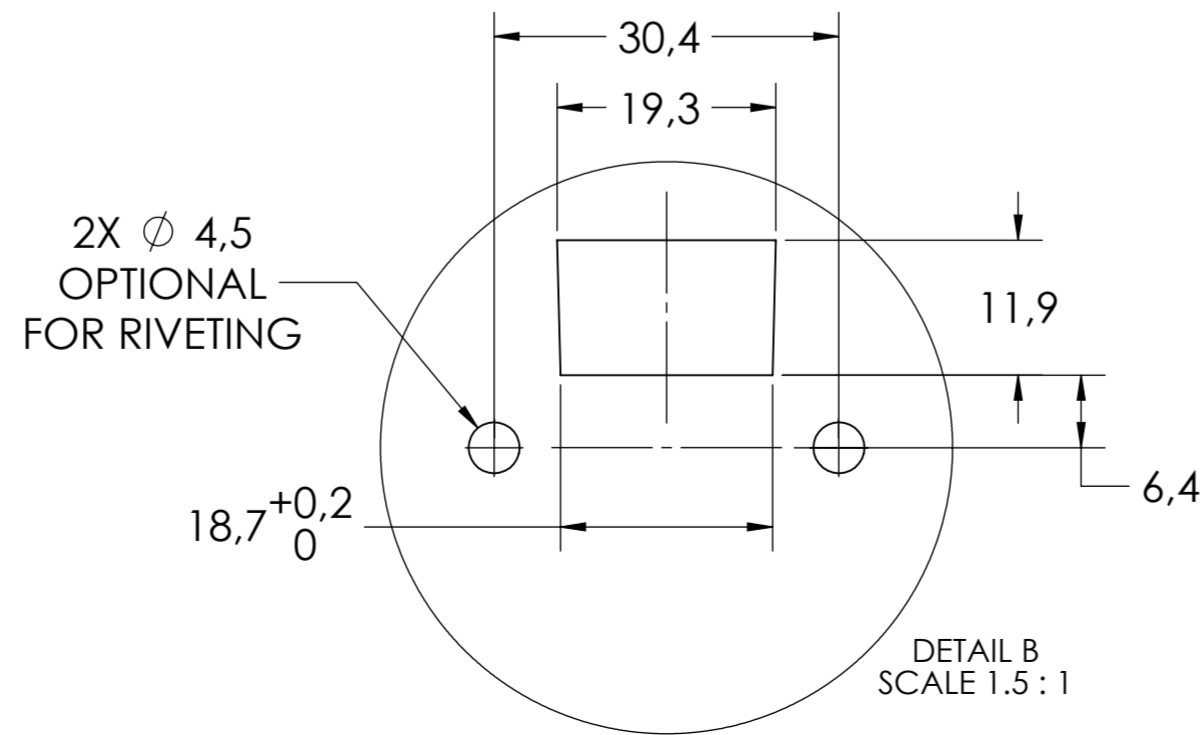


DRAWER MOUNTING CUTOUTS

CABINET MOUNTING CUTOUTS



DETAIL A
SCALE 1 : 1



DETAIL B
SCALE 1.5 : 1

ECD SPRING FORCE: 19N ± 2N PER SLIDE

| | | | |
|--|---------|--|-----|
| general tolerances | | DIN ISO 128-30 missing dimensions see 3D = theor. intersection | |
| ISO 2768-m | | | |
| This drawing remains our property and may not be multiplied neither be disclosed to third parties (§§1,3 and 5 from the copyright Act (UrhG)) covered according to DIN ISO 16016 | | | |
| scale: 1:3 | | surface: A2 | |
| date: 15-02-2019 | | name: HB | |
| drawn: 15-02-2019 | | description: SIDE MOUNT FULL EXTENSION SMT (0.9) SOFT CLOSE DRAWER SLIDE WITH DISCONNECT | |
| proven: 00-00-0000 | | drawing number: 5001.650-GA.T104 | |
| replaces version date: | | | |
| Fulterer AG & Co KG A-6890 Lustenau / Austria | | | |
| Fulterer AG CH-9430 St. Margrethen | | | |
| ind. | changes | date | na. |