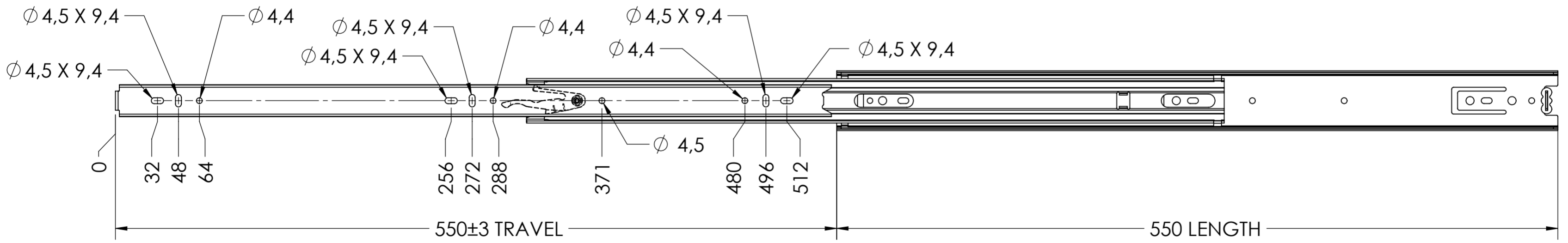
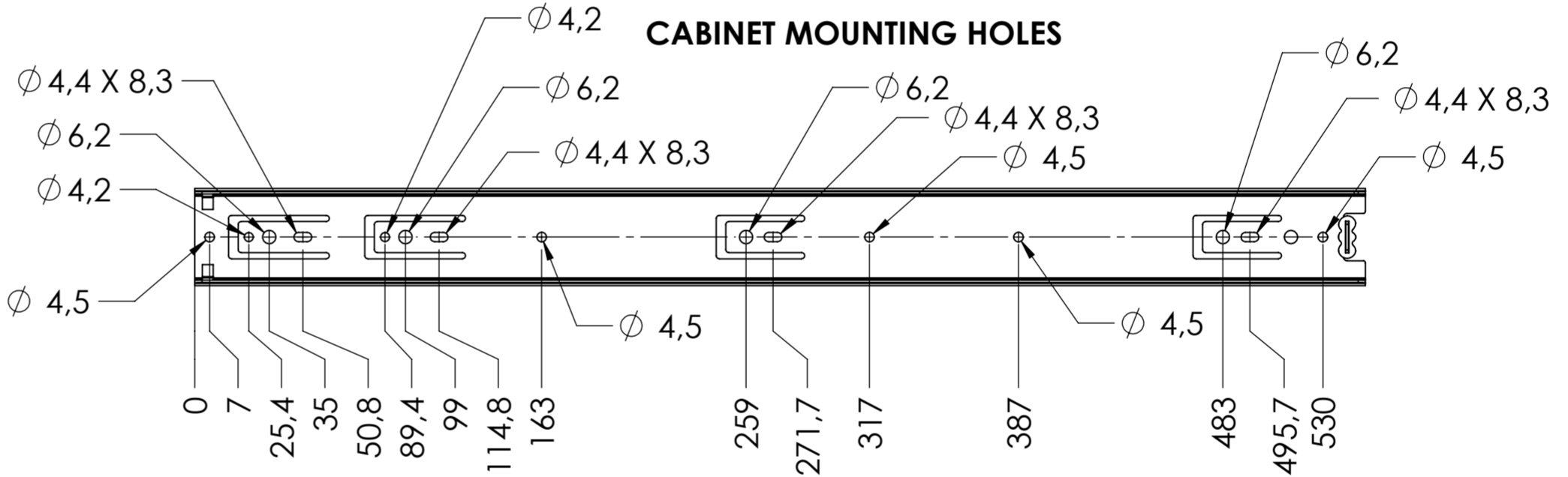
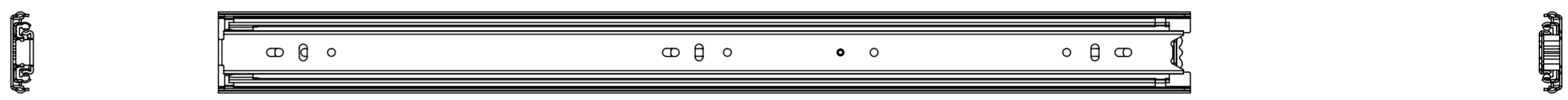
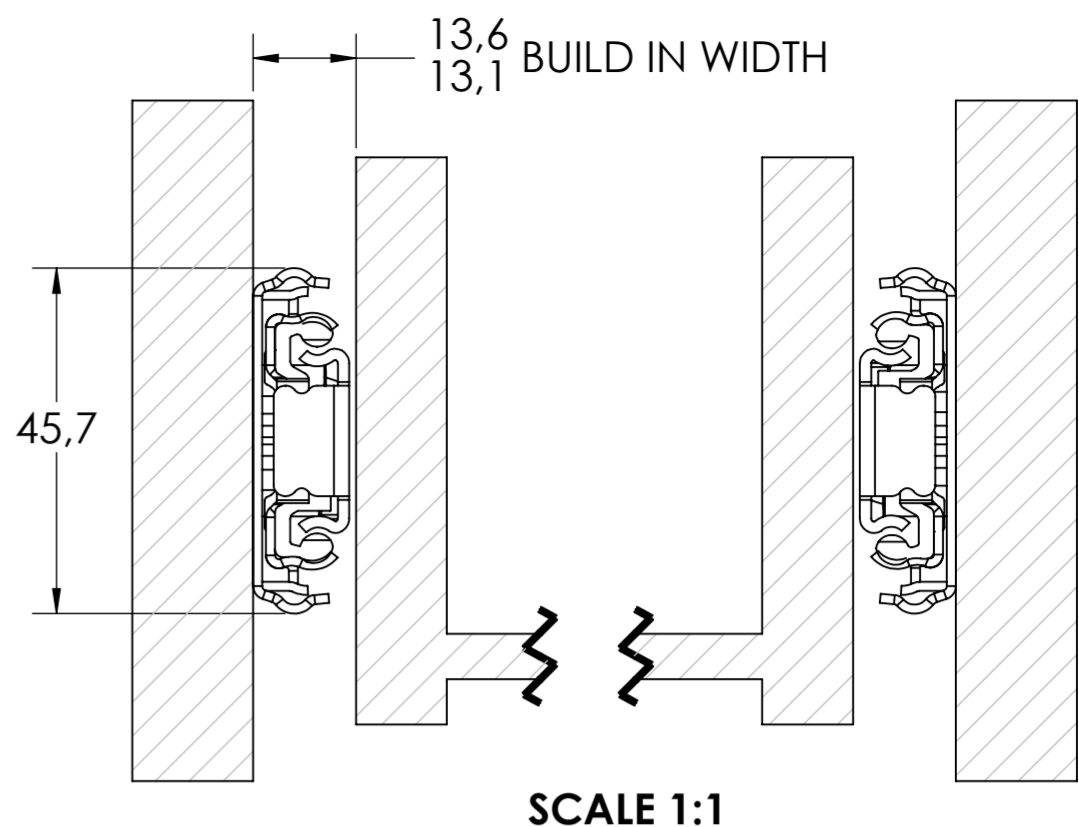
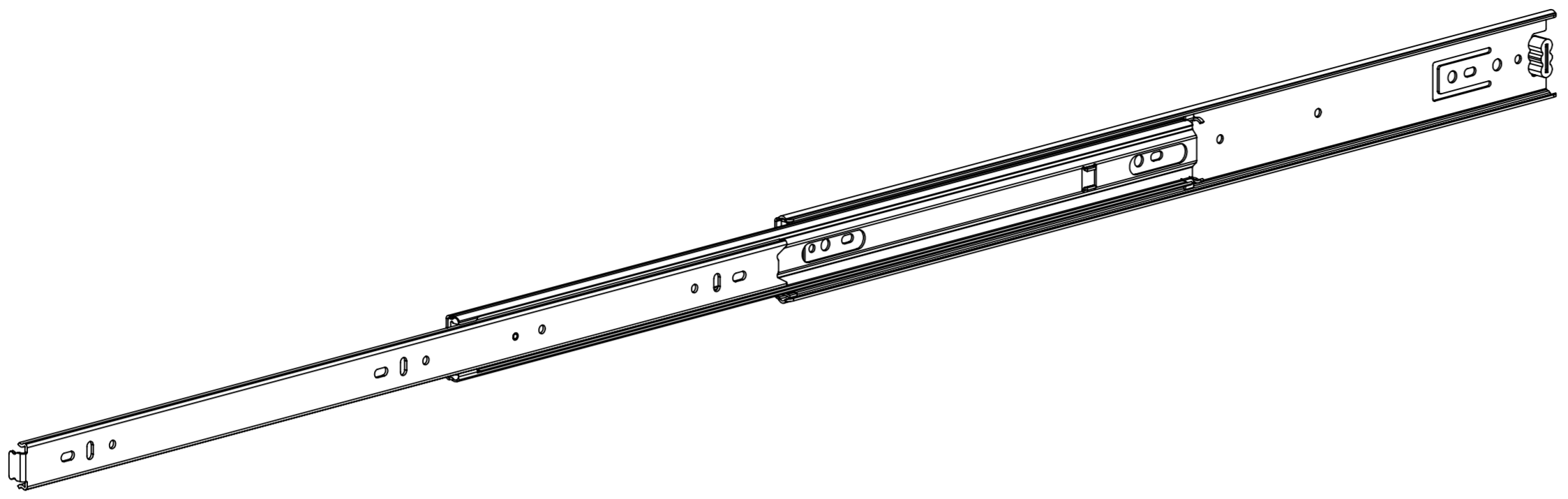


5002.550-GA.T015

X



RECOMMENDED HARDWARE:
 CABINET- SPAX 3.5mm M4 BUTTON HEAD OR #8 TRUSS HEAD SCREW
 DRAWER- SPAX 3.5mm M4 BUTTON HEAD OR #8 TRUSS HEAD SCREW

general tolerances		missing dimensions see 3D = theor. intersection	
ISO 2768-m			
This drawing remains our property and may not be multiplied neither be disclosed to third parties (§§1,3 and 5 from the copyright Act (UrhG)) covered according to DIN ISO 16016			
(k)	scale:	3:83:8	surface:
(l)	date	12-10-2018	name
(m)	drawn	HB	
(n)	proven	00-00-0000	00
(o)	Fulterer		material, semi finished parts:
(p)			304 STAINLESS STEEL (technical requirements Fulterer)
(q)	Fulterer AG & Co KG A-6890 Lustenau / Austria		description:
(r)			STAINLESS STEEL SIDE MOUNT STAINLESS STEEL SIDE MOUNT FULL EXTENSION DRAWER SLIDE WITH DRAWER RELEASE
(s)	Fulterer AG CH-9430 St. Margrethen		drawing number:
(t)			5002.550-GA.T015
(u)	changes	date	replaces version date:
(v)			
(w)			
(x)			
(y)			
(z)			