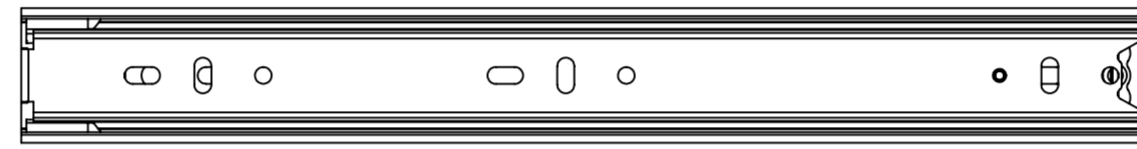
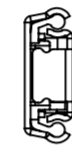
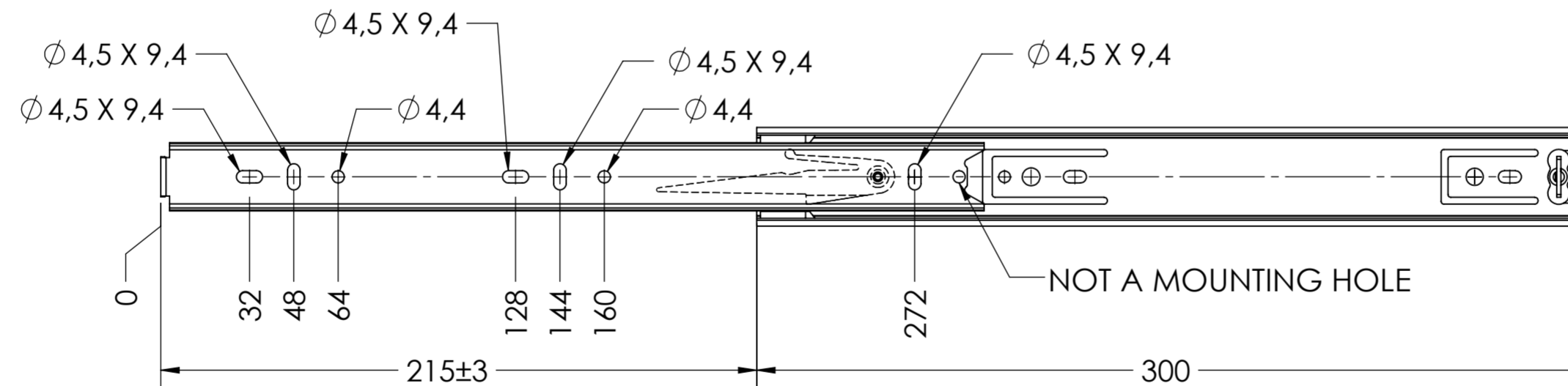
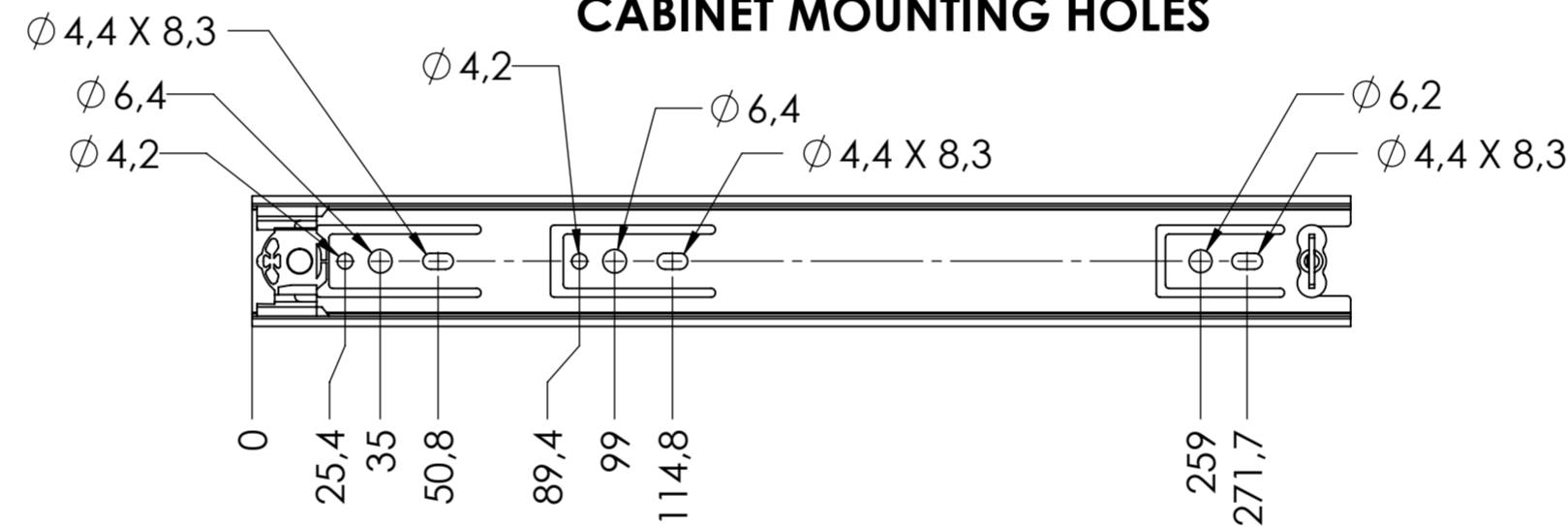


SCALE 1:1



### CABINET MOUNTING HOLES



### RECOMMENDED HARDWARE:

CABINET- M4 BUTTON HEAD OR #8 TRUSS HEAD SCREW

DRAWER- M4 BUTTON HEAD OR #8 TRUSS HEAD SCREW

|   |         |  |          |
|---|---------|--|----------|
| general tolerances  |         | DIN ISO 128-30<br>missing dimensions see 3D<br>= theor. intersection |          |
| ISO 2768-m  |         |  |          |
| This drawing remains our property and may not be multiplied neither be disclosed to third parties (§§1,3 and 5 from the copyright Act (UrhG)) |         |  |          |
| covered according to DIN ISO 16016  |         | scale:   | surface: |
|   |         | 1:2  |          |
| (k)   |         | date   | name     |
| (l)   |         | drawn 06-03-2019   | HB       |
| (m)   |         | proven 00-00-0000  | 00       |
| (n)   |         | <b>Fullterer</b>   |          |
| (o)   |         |  |          |
| (p)   |         | Fullterer AG & Co KG<br>A-6890 Lustenau / Austria                    |          |
| (q)   |         | Fullterer AG<br>CH-9430 St. Margrethen                               |          |
| (r)   |         | drawing number:<br><b>5005.300-GA.T022</b>                           |          |
| (s)   |         | replaces version date:   |          |
| (t)   |         |  |          |
| (u)   |         |  |          |
| (v)   |         |  |          |
| (w)   |         |  |          |
| (x)   |         |  |          |
| (y)   |         |  |          |
| (z)   |         |  |          |
| ind.  | changes | date   | na.      |