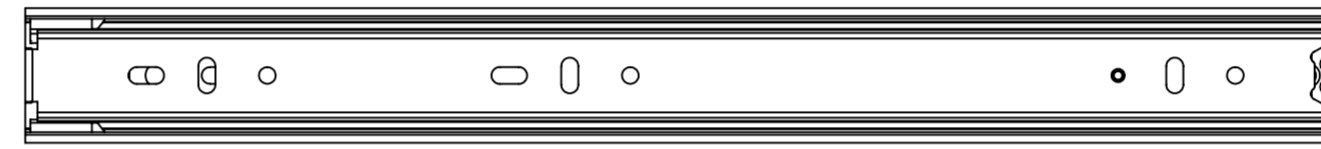
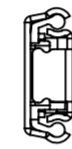
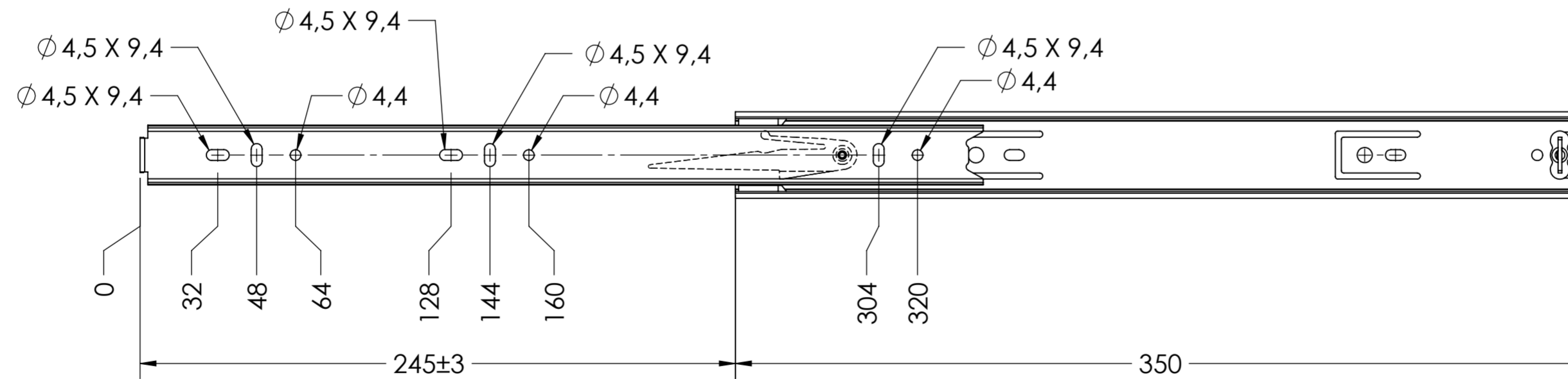
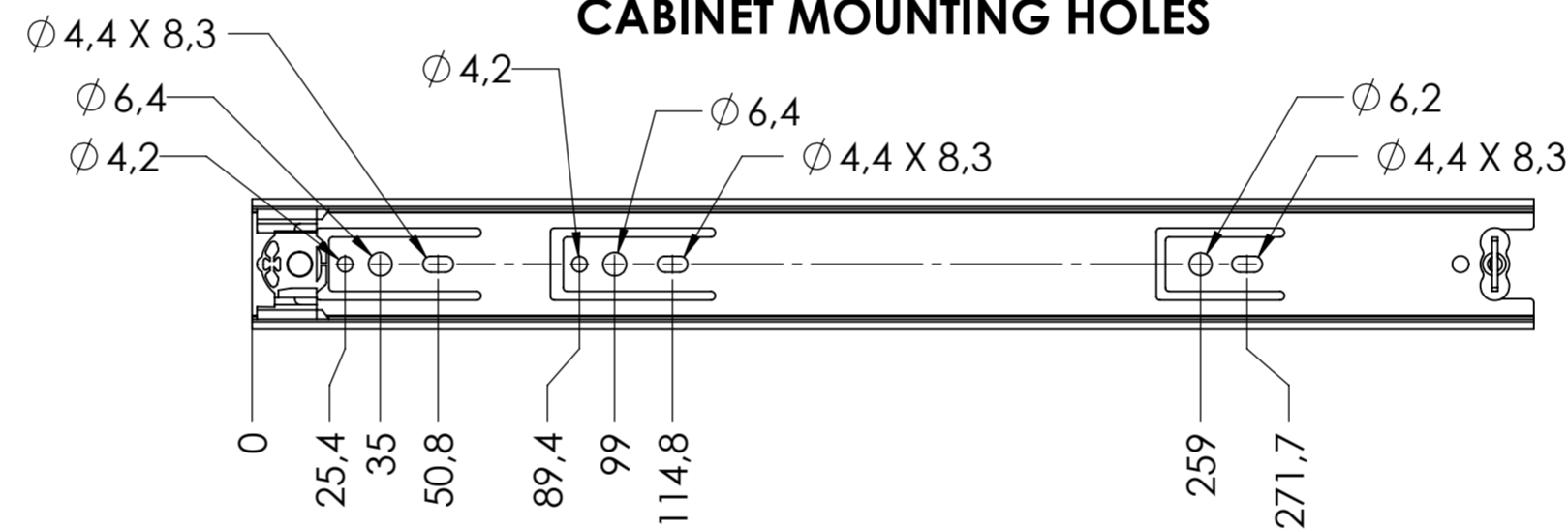


SCALE 1:1



CABINET MOUNTING HOLES



RECOMMENDED HARDWARE:

CABINET- M4 BUTTON HEAD OR #8 TRUSS HEAD SCREW

DRAWER- M4 BUTTON HEAD OR #8 TRUSS HEAD SCREW

general tolerances		DIN ISO 128-30 missing dimensions see 3D = theor. intersection	
ISO 2768-m			
This drawing remains our property and may not be multiplied neither be disclosed to third parties (§§1,3 and 5 from the copyright Act (UrhG)) covered according to DIN ISO 16016			
scale:	1:2	surface:	material, semi finished parts: STEEL (technical requirements Fulterer)
drawn	06-03-2019	name	HB
proven	00-00-0000		00
description:		SIDE MOUNTED REGULAR EXTENSION DRAWER SLIDE WITH DISCONNECT	
drawing number:		5005.350-GA.T022	
replaces version date:			
ind.	changes	date	na.
(k)			
(l)			
(m)			
(n)			
(o)			
(p)			
(q)			
(r)			
(s)			
(t)			
(u)			
(v)			
(w)			
(x)			
(y)			
(z)			