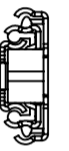
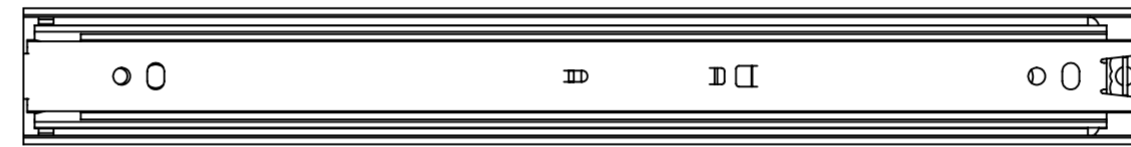
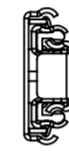
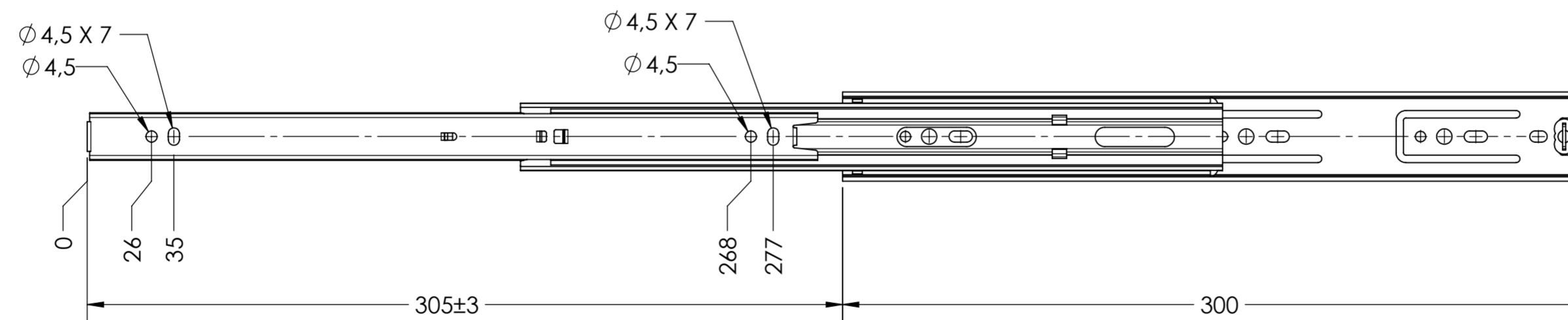
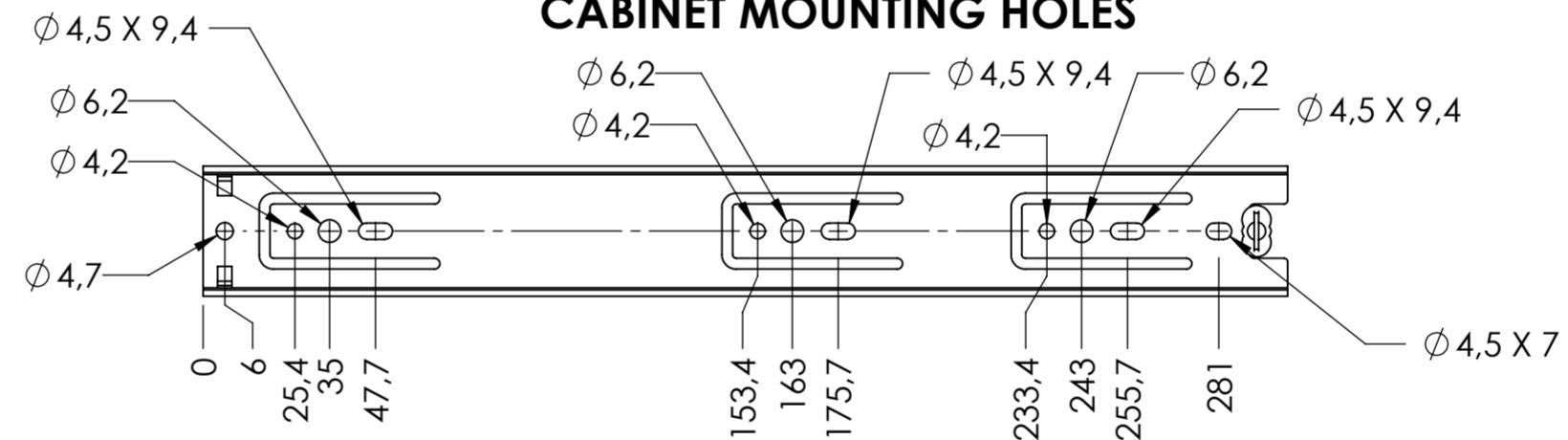


SCALE 1:1



### CABINET MOUNTING HOLES



**RECOMMENDED HARDWARE:**  
 CABINET- SPAX 3.5 M4 BUTTON HEAD OR #8 TRUSS HEAD SCREW  
 DRAWER- SPAX 3.5 M4 BUTTON HEAD OR #8 TRUSS HEAD SCREW

general tolerances		DIN ISO 128-30 missing dimensions see 3D = theor. intersection	
ISO 2768-m			
This drawing remains our property and may not be multiplied neither be disclosed to third parties (§§1,3 and 5 from the copyright Act (UrhG)) covered according to DIN ISO 16016			
scale: 1:2		surface:	
(k)		drawn	date
(l)		proven	name
(m)		05-02-2019	HB
(n)		00-00-0000	00
(o)		<b>Fulterer</b>	
(p)			
(q)		Fulterer AG & Co KG	
(r)		A-6890 Lustenau / Austria	
(s)		Fulterer AG	
(t)		CH-9430 St. Margrethen	
(u)	0	00-00-0000	0
(v)			
(w)			
(x)			
(y)			
(z)			
ind.	changes	date	na.
material, semi finished parts:		STEEL (technical requirements Fulterer)	
description:		SIDE MOUNT FULL EXTENSION DRAWER SLIDE WITH DRAWER DISCONNECT	
drawing number:		5036.300-GA.T000	
replaces version date:			