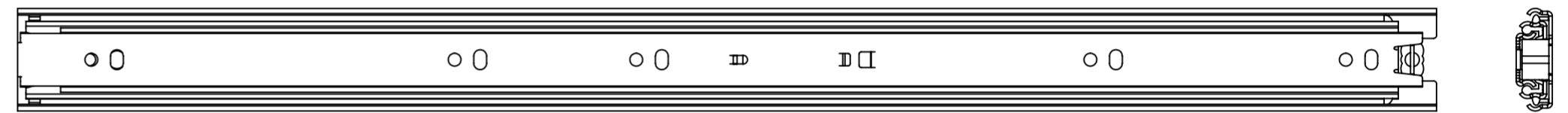
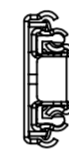
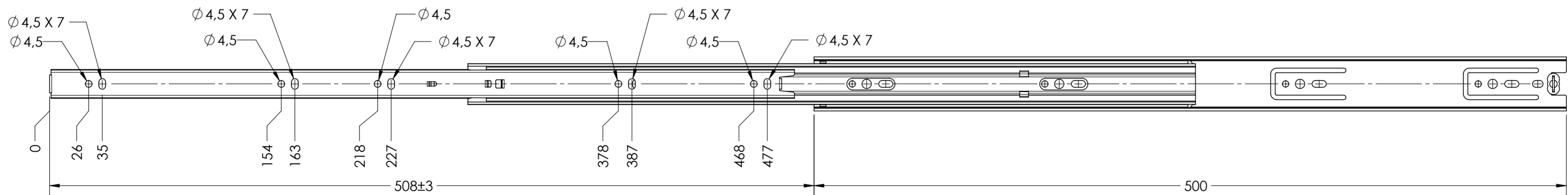
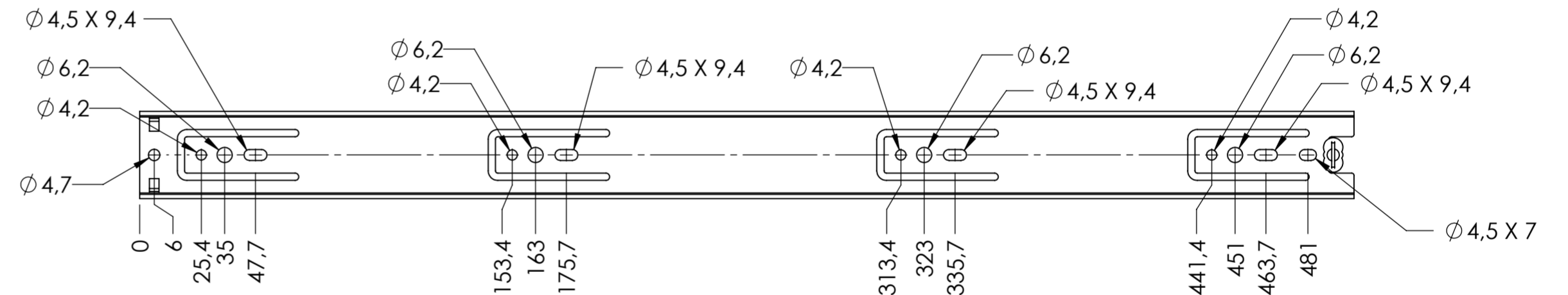


SCALE 1:1



CABINET MOUNTING HOLES



RECOMMENDED HARDWARE:
 CABINET- SPAX 3.5 M4 BUTTON HEAD OR #8 TRUSS HEAD SCREW
 DRAWER- SPAX 3.5 M4 BUTTON HEAD OR #8 TRUSS HEAD SCREW

general tolerances		DIN ISO 128-30 missing dimensions see 3D = theor. intersection	
ISO 2768-m			
This drawing remains our property and may not be multiplied neither be disclosed to third parties (§§1,3 and 5 from the copyright Act (UrhG)) covered according to DIN ISO 16016			
scale: 1:2		surface: A2	
drawn: 05-02-2019		name: HB	
proven: 00-00-0000		description: SIDE MOUNT FULL EXTENSION DRAWER SLIDE WITH DRAWER DISCONNECT	
		drawing number: 5036.500-GA.T000	
Fulterer AG & Co KG A-6890 Lustenau / Austria		replaces version date:	
Fulterer AG CH-9430 St. Margrethen			
ind.	changes	date	na.