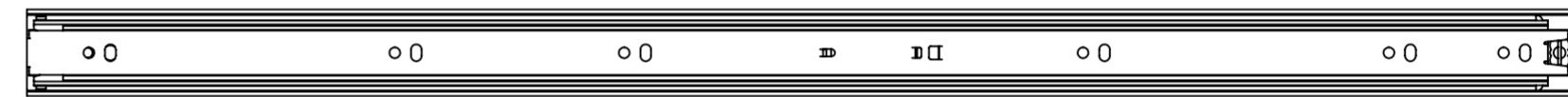
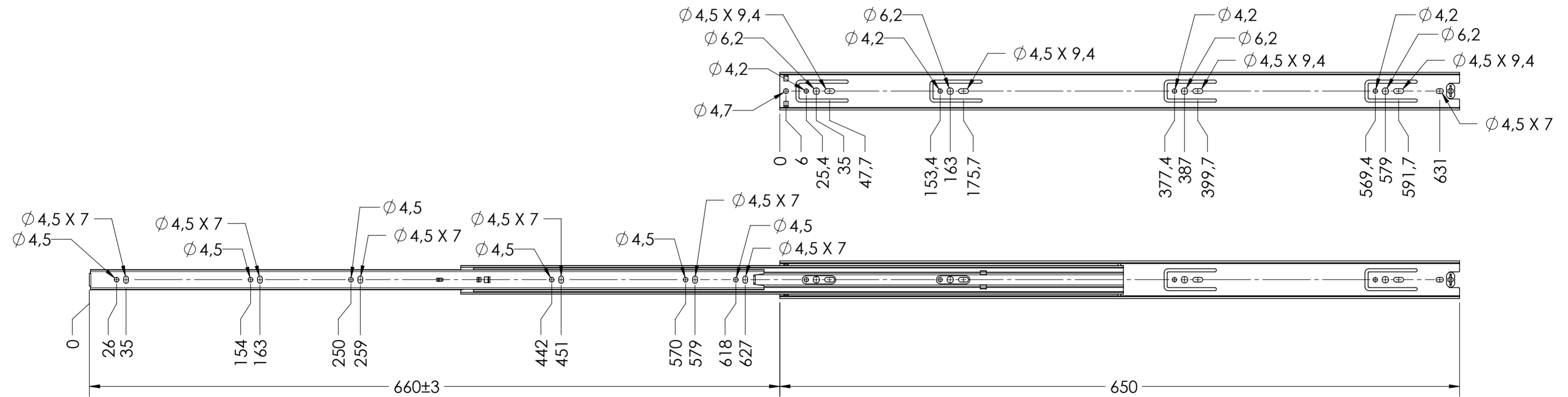


SCALE 1:1



CABINET MOUNTING HOLES



RECOMMENDED HARDWARE:
 CABINET- SPAX 3.5 M4 BUTTON HEAD OR #8 TRUSS HEAD SCREW
 DRAWER- SPAX 3.5 M4 BUTTON HEAD OR #8 TRUSS HEAD SCREW

general tolerances		DIN ISO 128-30 missing dimensions see 3D = theor. intersection	
ISO 2768-m			
This drawing remains our property and may not be multiplied neither be disclosed to third parties (§§1,3 and 5 from the copyright Act (UrhG)) covered according to DIN ISO 16016			
(k)		scale:	surface:
(l)		1:3	
(m)		date	name
(n)		drawn 05-02-2019	HB
(o)		proven 00-00-0000	00
(p)		Fullterer	
(q)			
(r)		Fullterer AG & Co KG A-6890 Lustenau / Austria	
(s)		Fullterer AG CH-9430 St. Margrethen	
(t)		drawing number: 5036.650-GA.T000	
(u)		replaces version date:	
(v)	changes	date	na.