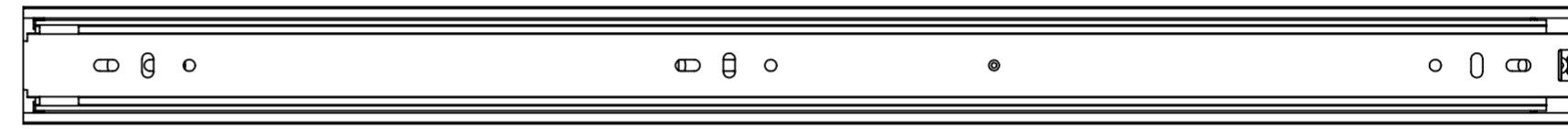
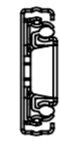
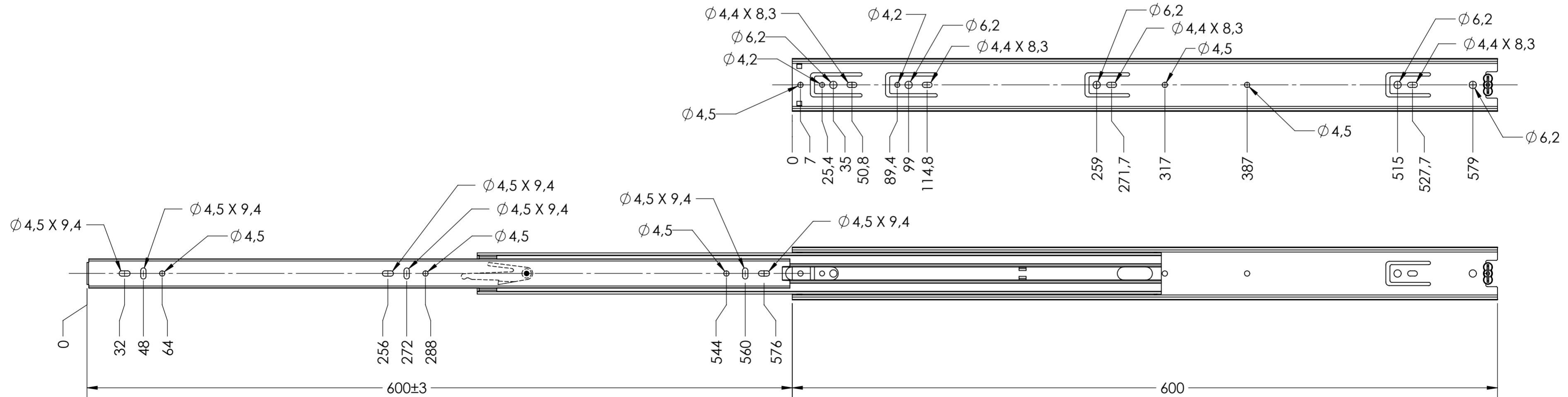


SCALE 1:1



### CABINET MOUNTING HOLES



#### RECOMMENDED HARDWARE:

CABINET- 3.5mm SPAX M4 BUTTON HEAD OR #8 TRUSS HEAD SCREW

DRAWER- 3.5mm SPAX M4 BUTTON HEAD OR #8 TRUSS HEAD SCREW

general tolerances		DIN ISO 128-30 missing dimensions see 3D = theor. intersection	
ISO 2768-m			
This drawing remains our property and may not be multiplied neither be disclosed to third parties (§§1,3 and 5 from the copyright Act (UrhG))			
covered according to DIN ISO 16016		scale:	surface:
(k)		3:8	
(l)		date	name
(i)		drawn 15-10-2019	HB
(h)		proven 00-00-0000	00
(g)		<b>Fulterer</b>	
(f)			
(e)		material, semi finished parts: STEEL (technical requirements Fulterer)	
(d)		description: SIDE MOUNT FULL EXTENSION SLIDE WITH DRAWER DISCONNECT	
(c)		drawing number: 5045.600-GA.C000A	
(b)		replaces version date:	
(a)	0	00-00-0000	00
ind.	changes	date	na.