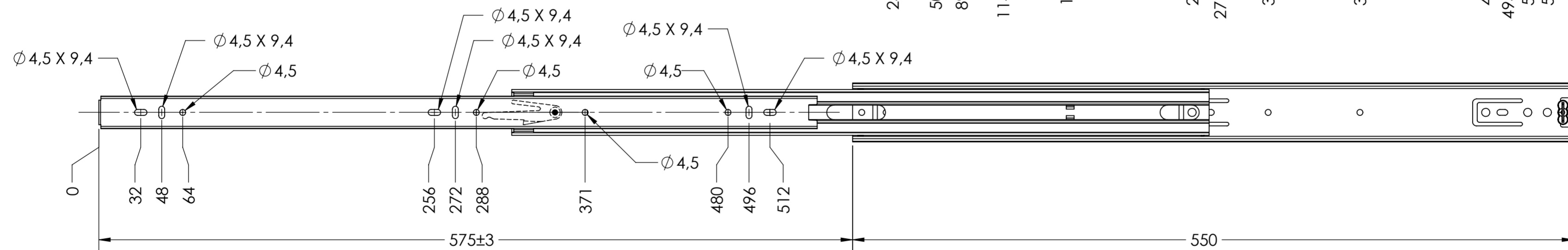
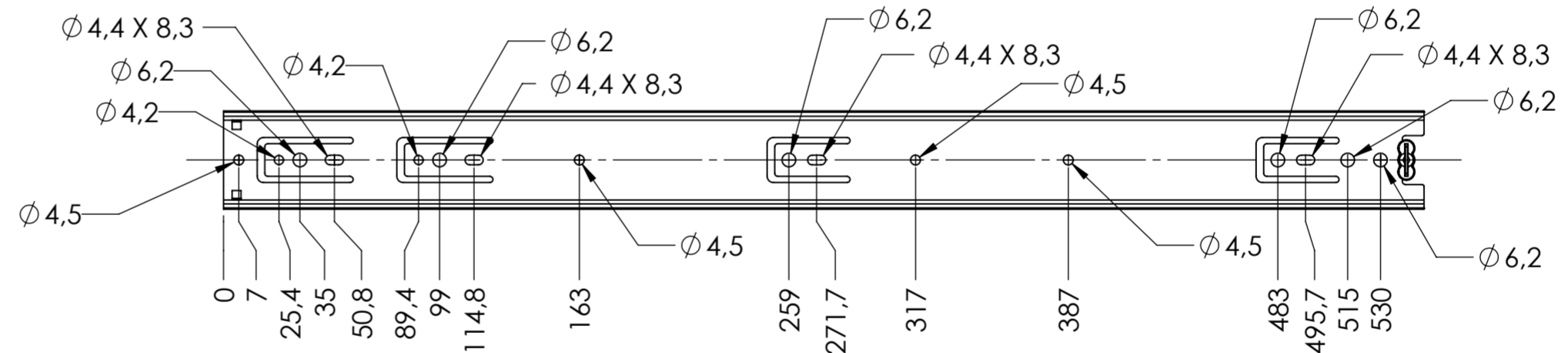


### CABINET MOUNTING HOLES



#### RECOMMENDED HARDWARE:

CABINET- 3.5mm SPAX M4 BUTTON HEAD OR #8 TRUSS HEAD SCREW

DRAWER- 3.5mm SPAX M4 BUTTON HEAD OR #8 TRUSS HEAD SCREW

general tolerances		DIN ISO 128-30 missing dimensions see 3D = theor. intersection	
ISO 2768-m			
This drawing remains our property and may not be multiplied neither be disclosed to third parties (§§1,3 and 5 from the copyright Act (UrhG))			
covered according to DIN ISO 16016		scale:	surface:
(k)		3:8	
(l)		date	name
(i)		drawn 03-09-2020	CS
(h)		proven 00-00-0000	00
(g)		<b>Fulterer</b>	
(f)			
(e)		Fulterer AG & Co KG A-6890 Lustenau / Austria	
(d)		Fulterer AG CH-9430 St. Margrethen	
(c)		drawing number: <b>5045.550-GA.C030A</b>	
(b)		replaces version date:	
(a)	0	00-00-0000	00
ind.	changes	date	na.