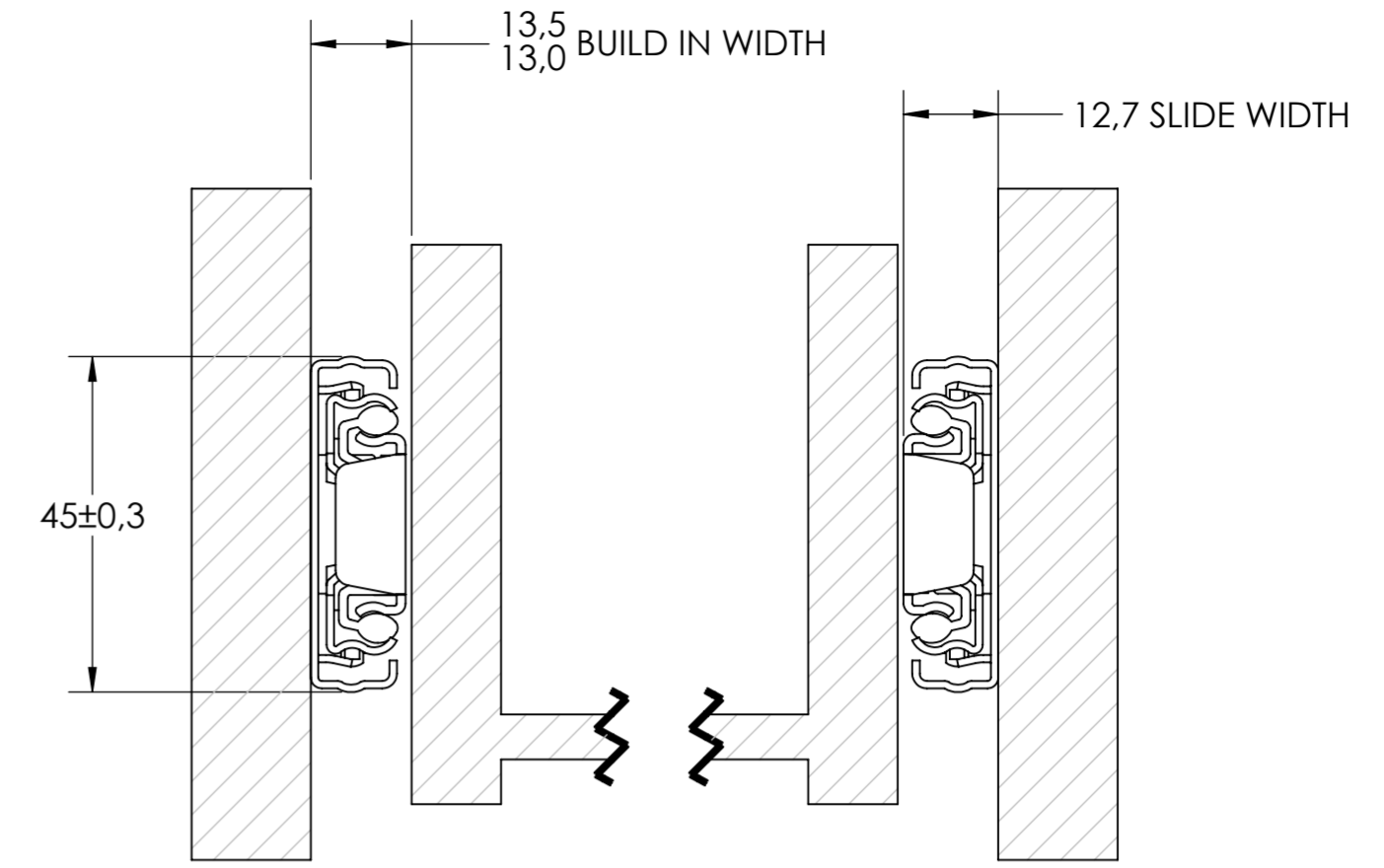
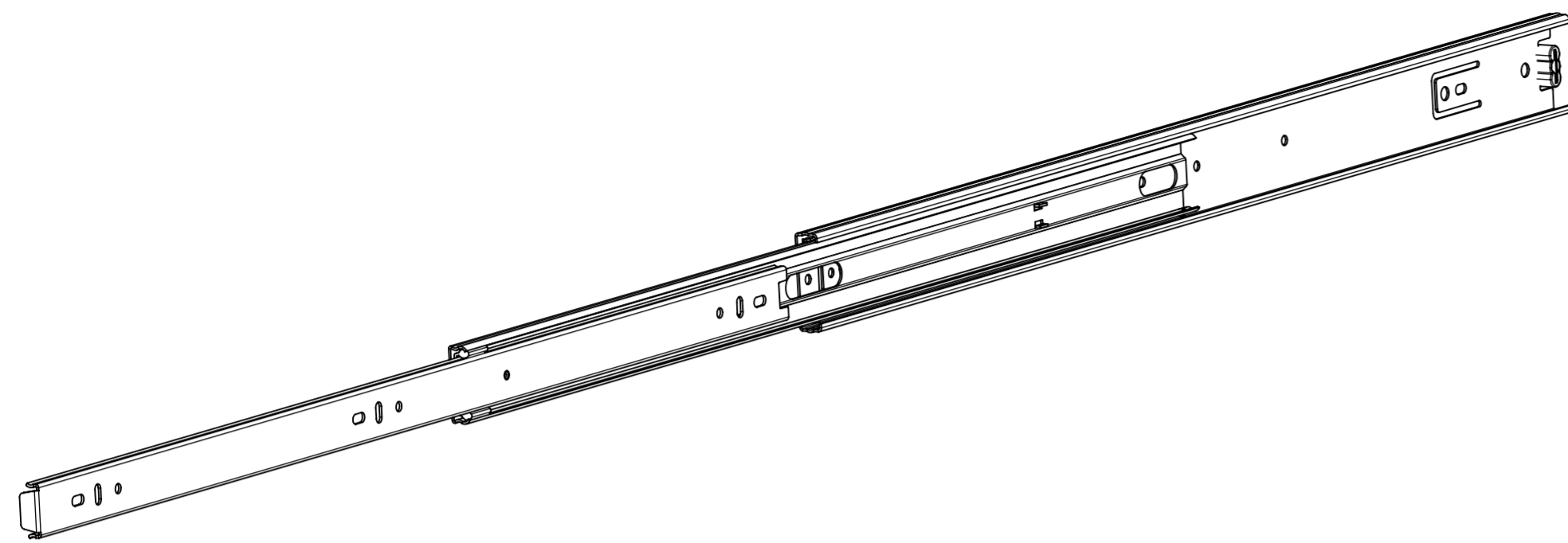
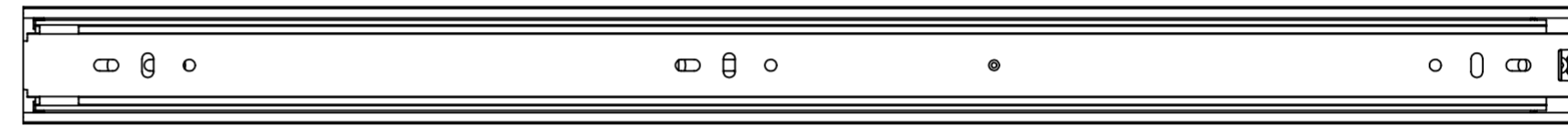


5045.600-GA.C030A

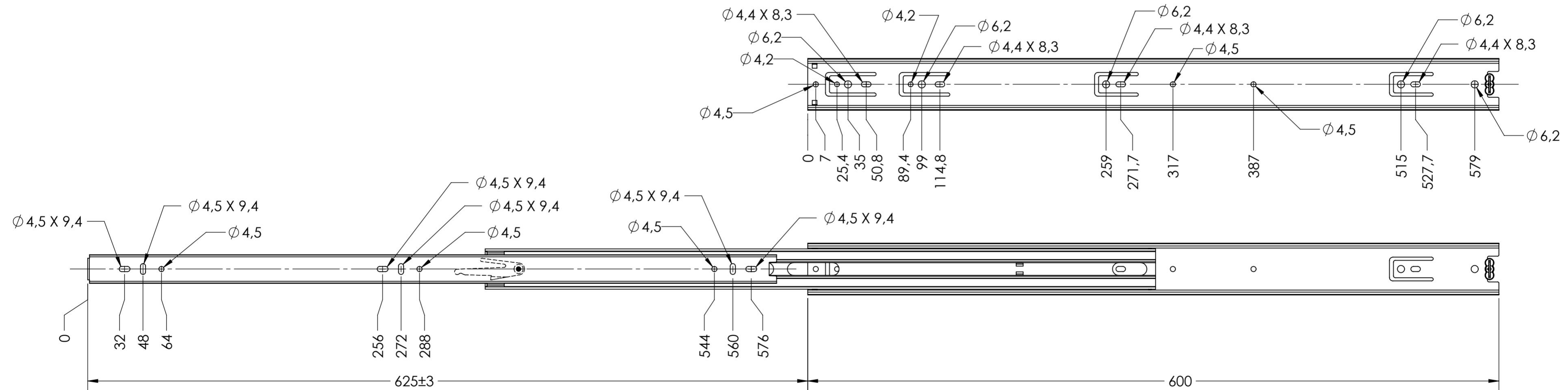
X



SCALE 1:1



CABINET MOUNTING HOLES



RECOMMENDED HARDWARE:

CABINET- 3.5mm SPAX M4 BUTTON HEAD OR #8 TRUSS HEAD SCREW

DRAWER- 3.5mm SPAX M4 BUTTON HEAD OR #8 TRUSS HEAD SCREW

general tolerances			DIN ISO 128-30 missing dimensions see 3D = theor. intersection	
ISO 2768-m				
This drawing remains our property and may not be multiplied neither be disclosed to third parties (§§1,3 and 5 from the copyright Act (UrhG))				
covered according to DIN ISO 16016		scale: 3:8	surface:	material, semi finished parts: STEEL (technical requirements Fulterer)
(k)			date	name
(l)			drawn 03-09-2020	CS
(m)			proven 00-00-0000	00
(n)				
(o)				
(p)				
(q)				
(r)			description: SIDE MOUNT OVER EXTENSION SLIDE WITH DRAWER DISCONNECT	
(s)			drawing number: 5045.600-GA.C030A	
(t)			replaces version date:	
(u)			Fulterer AG & Co KG A-6890 Lustenau / Austria Fulterer AG CH-9430 St. Margrethen	
(v)	changes	date	na.	