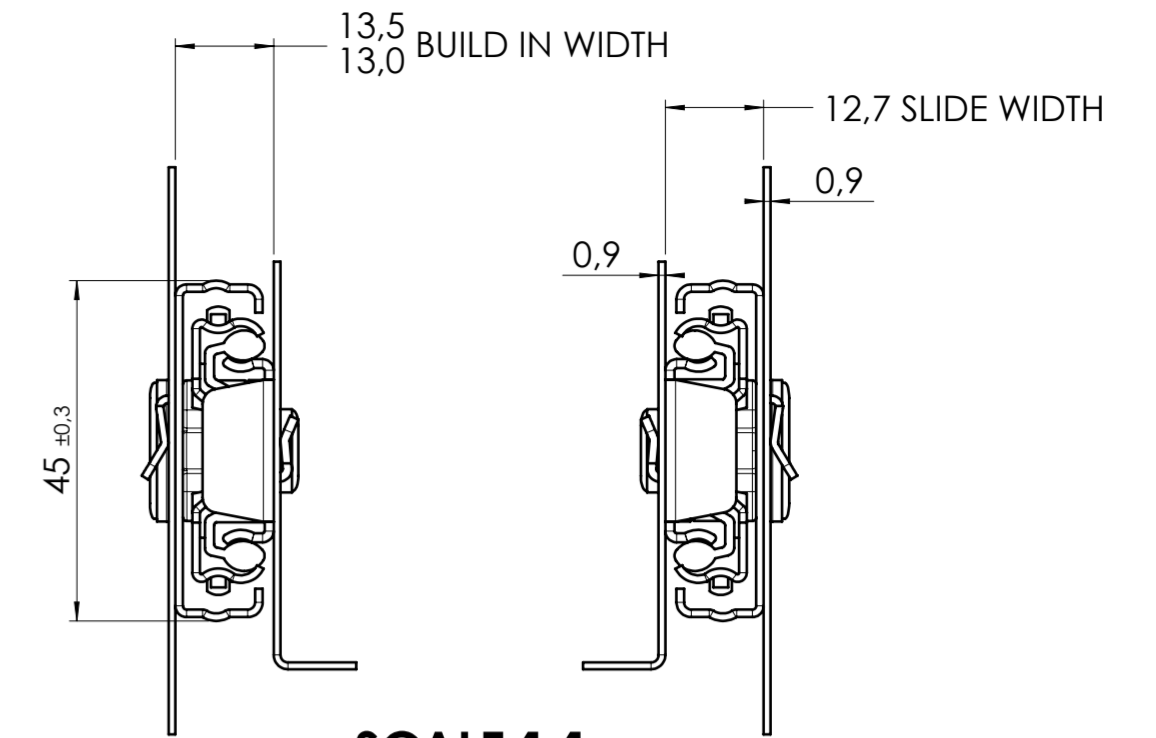
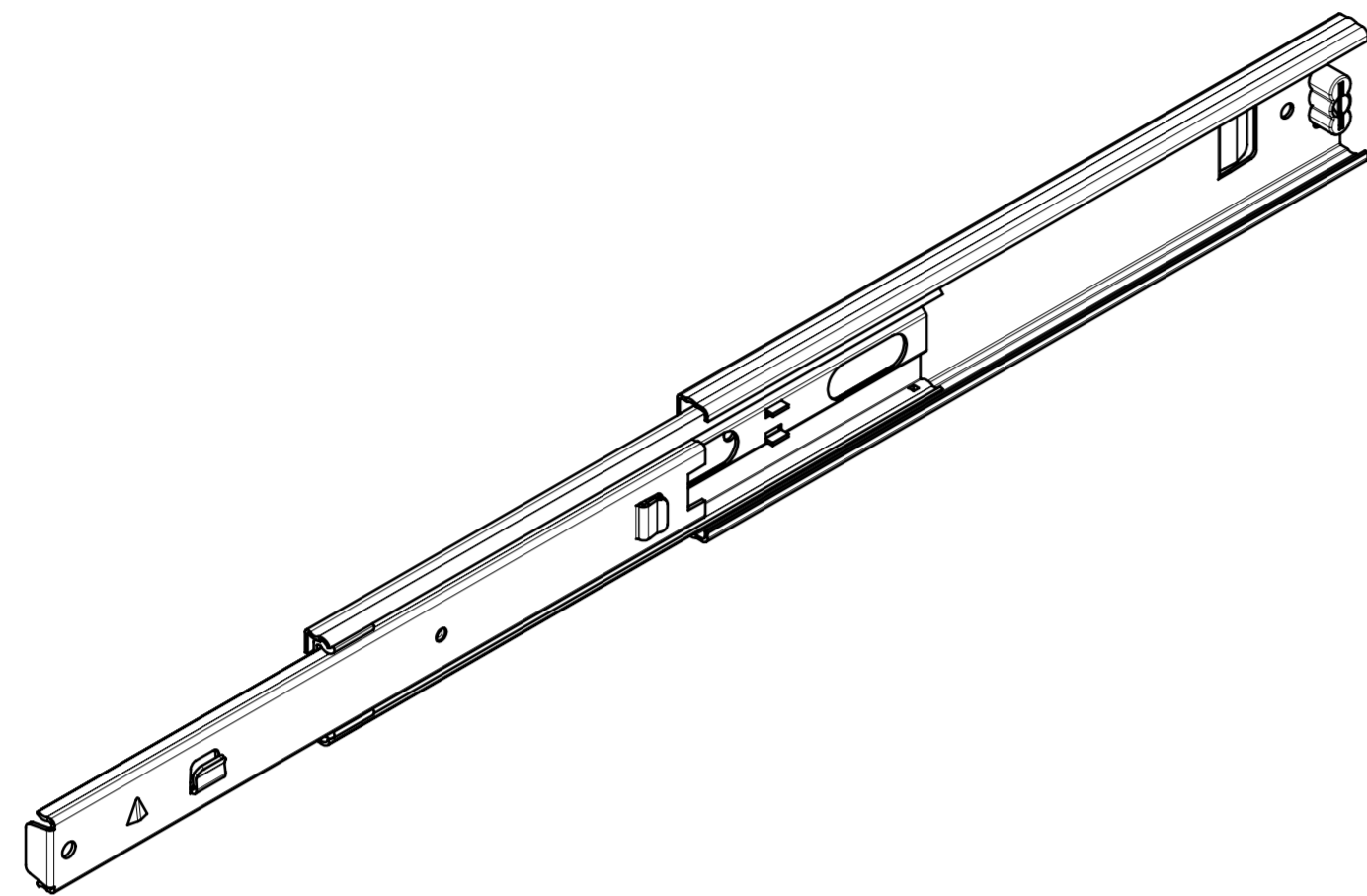
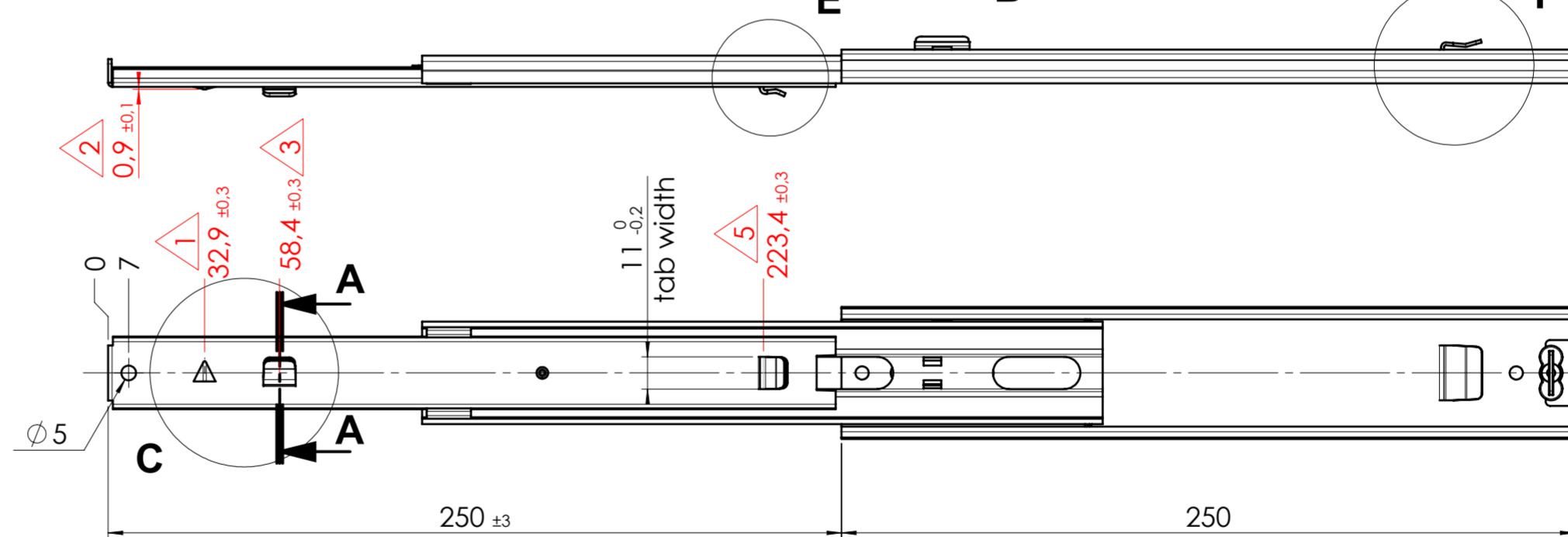
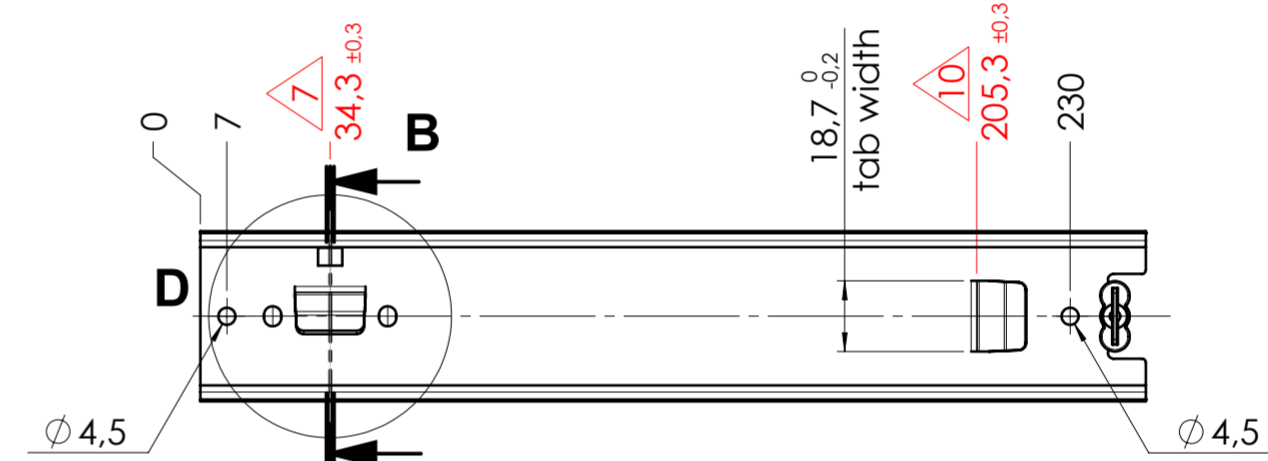
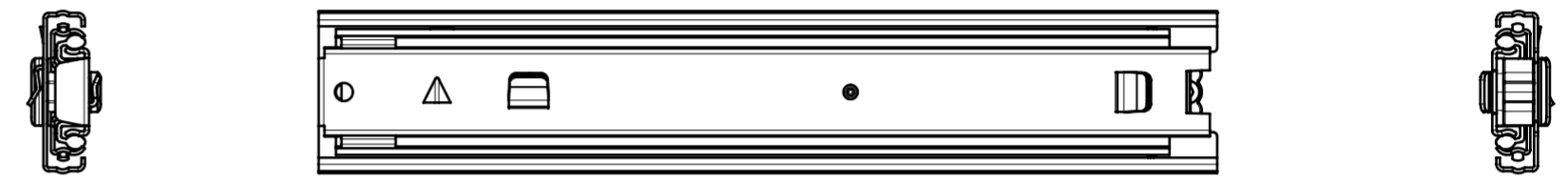


X

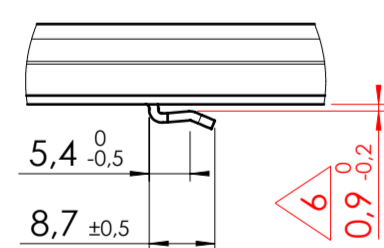


SCALE 1:1

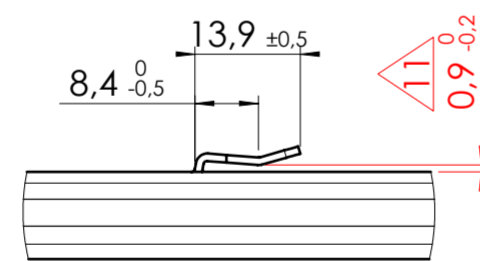


xx = check dimension, next free check number 12

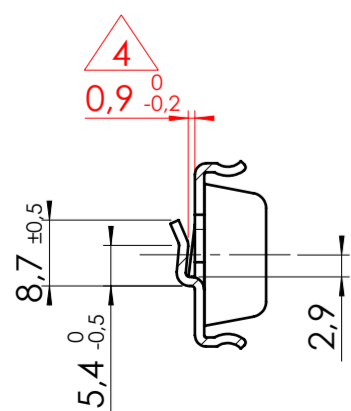
E (1:1)



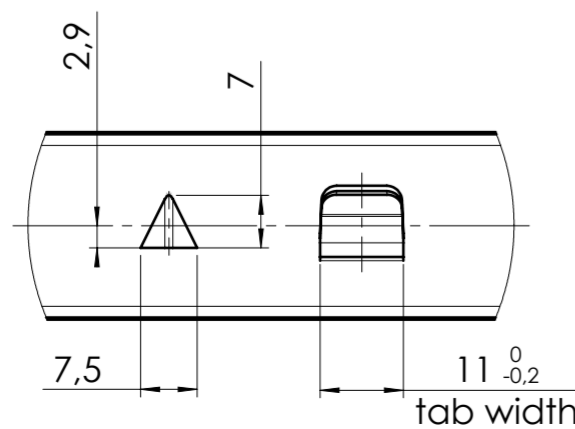
F (1:1)



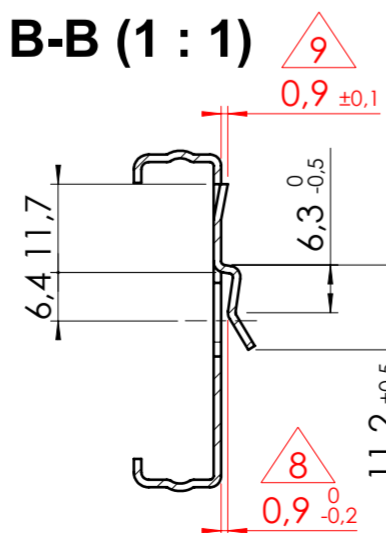
A-A (1:1)



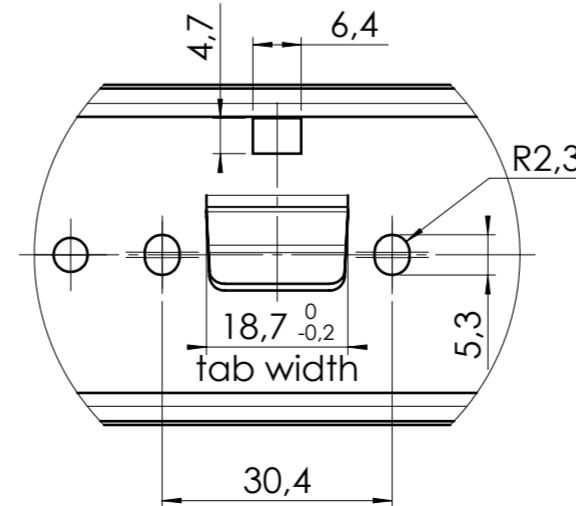
C (1:1)



B-B (1:1)



D (1:1)



general tolerances		DIN ISO 128-30	
stamping part according Fulterer W18-001	plastic part according DIN ISO 16742 TG4	missing dimensions see 3D = theor. intersection	
This drawing remains our property and may not be multiplied neither be disclosed to third parties (§§1,3 and 5 from the copyright Act (UrhG))			
covered according to DIN ISO 16016	scale: 1:2	surface:	material, semi finished parts: STEEL (technical requirements Fulterer)
(k)	date	name	A2
(l)	drawn 20-07-2020	MW	
(m)	proven 00-00-0000	00	
(n)	Fulterer		
(o)	Fulterer AG & Co KG A-6890 Lustenau / Austria		
(p)	Fulterer AG CH-9430 St. Margrethen		
(q)	Adjusted tolerances	23-04-21	drawing number: 5045.250-GA.C100A
(r)	changes	date	replaces version date:
(s)			
(t)			
(u)			
(v)			
(w)			
(x)			
(y)			
(z)			