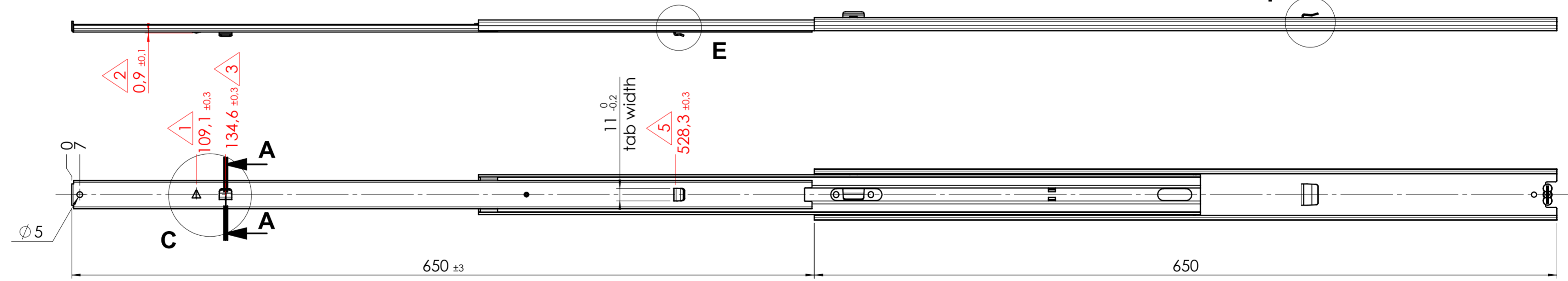
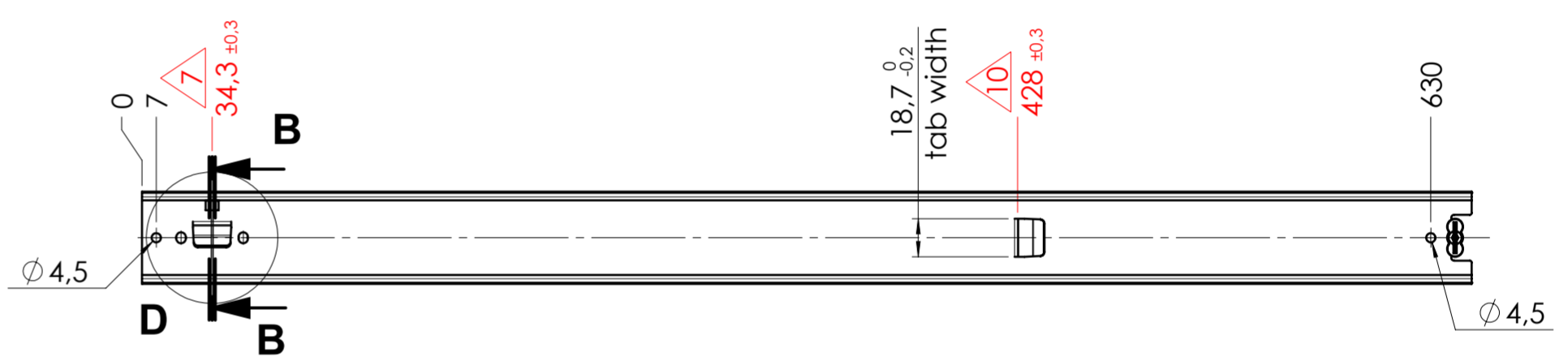
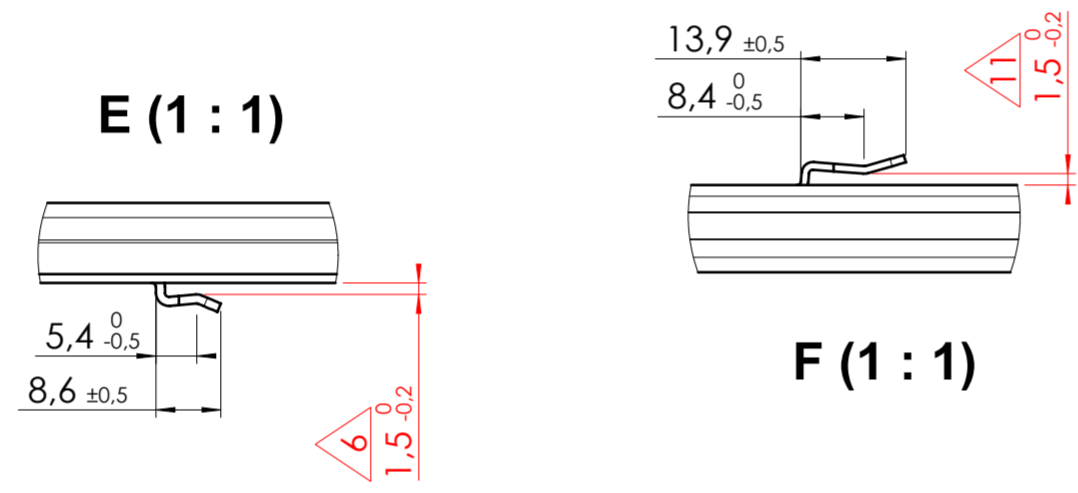
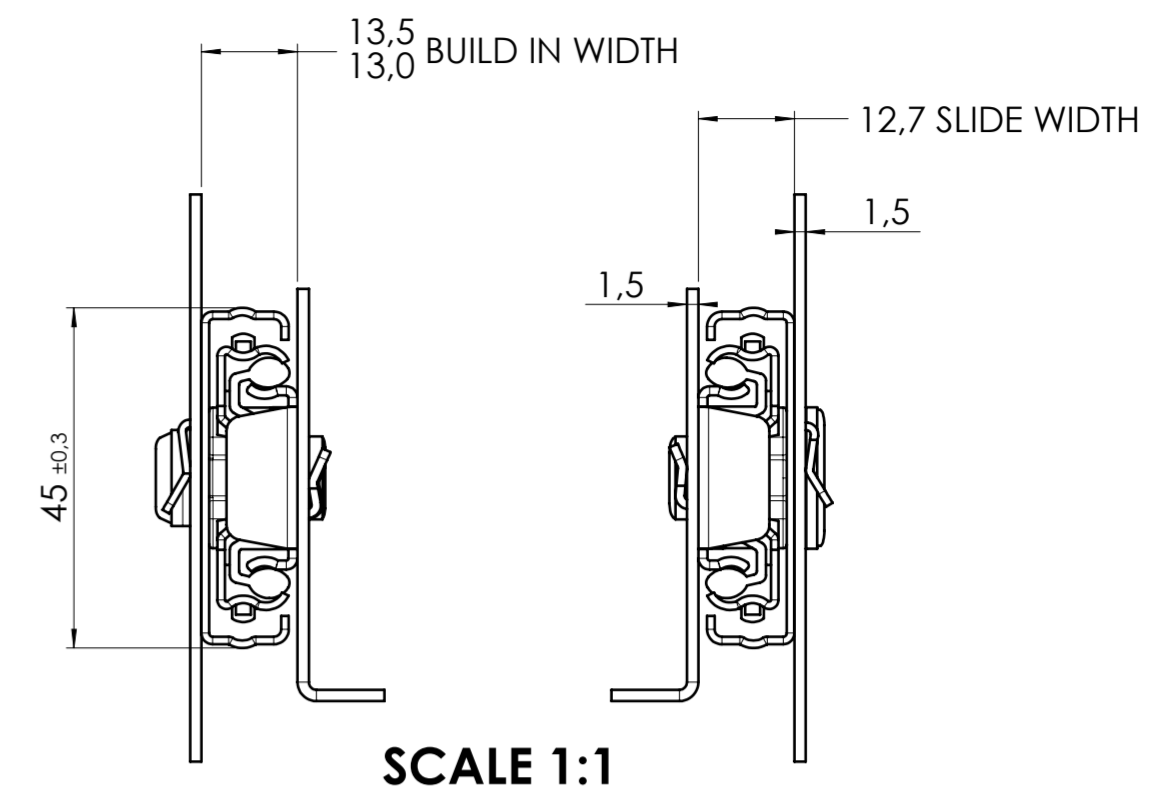
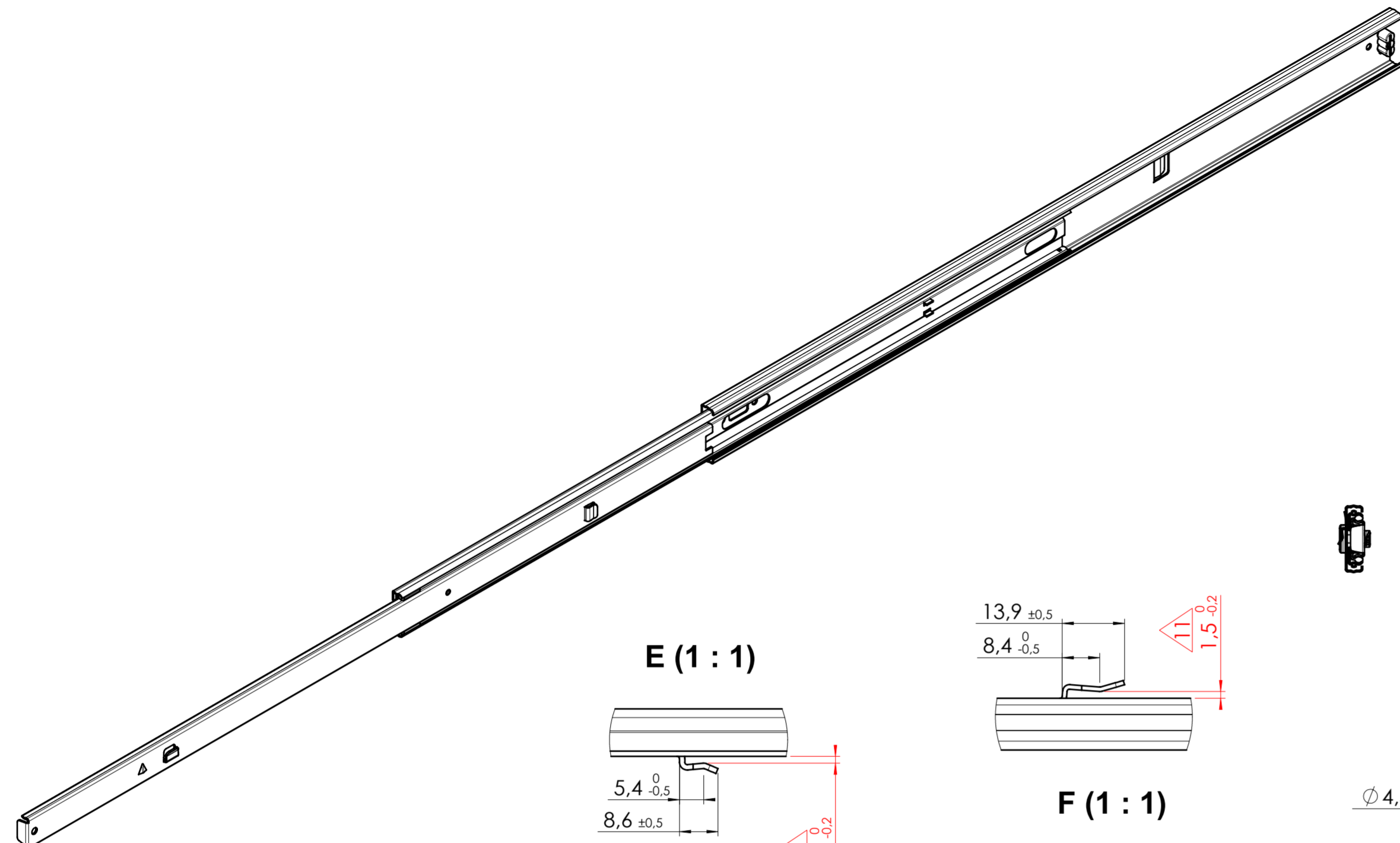
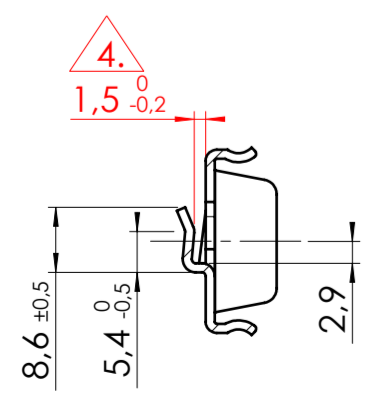


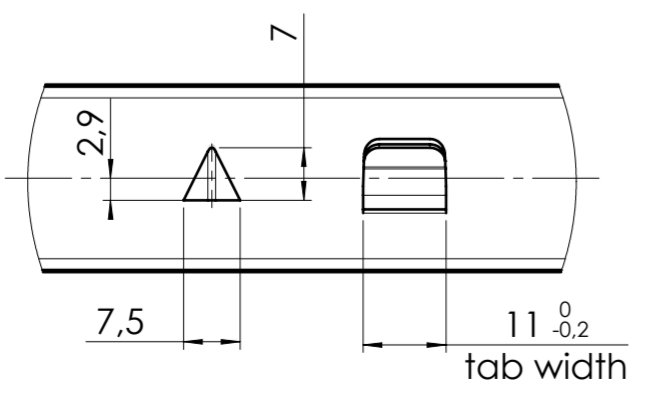
X



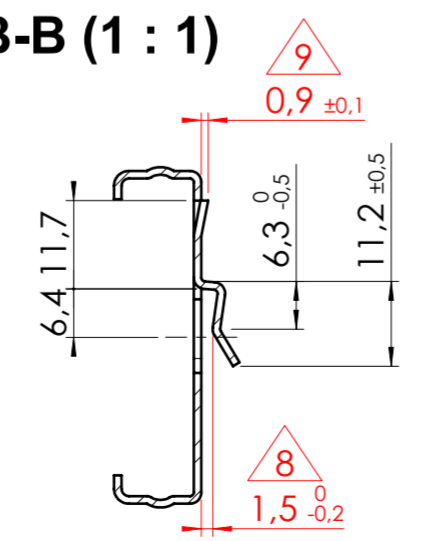
A-A (1:1)



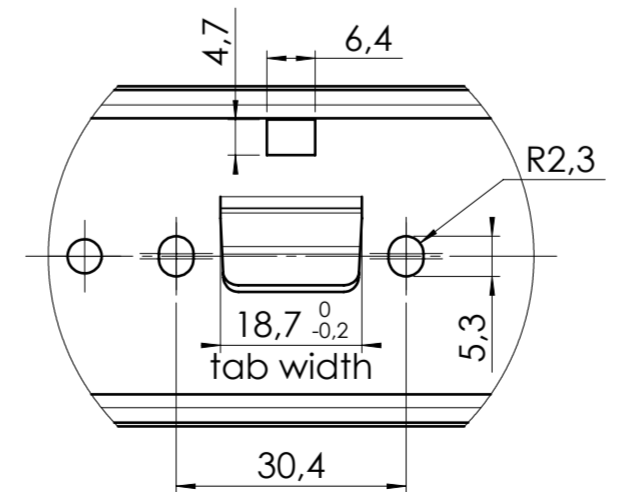
C (1:1)



B-B (1:1)



D (1:1)



xx = check dimension, next free check number **12**

general tolerances		DIN ISO 128-30	
stamping part according Fulterer W18-001	plastic part according DIN ISO 16742 TG4	missing dimensions see 3D = theor. intersection	
This drawing remains our property and may not be multiplied neither be disclosed to third parties (§§1,3 and 5 from the copyright Act (UrhG)) covered according to DIN ISO 16016			
(k)	scale:	1:3	surface:
(l)	date:	19-04-2021	name:
(m)	drawn:	MW	
(n)	proven:	00-00-0000	00
(o)	Fulterer		material, semi finished parts:
(p)	Fulterer AG & Co KG		STEEL
(q)	A-6890 Lustenau / Austria		(technical requirements Fulterer)
(r)	Fulterer AG		description:
(s)	CH-9430 St. Margrethen		SIDE MOUNT FULL EXTENSION SMT (1,5) DRAWER SLIDE WITH DRAWER DISCONNECT
(t)	changes:	date:	na.
(u)	drawing number:		5045.650-GA.C101A
(v)	replaces version date:		
(w)	Mittwoch, 22. Dezember 2021 10:39:36		mathias.wittwer