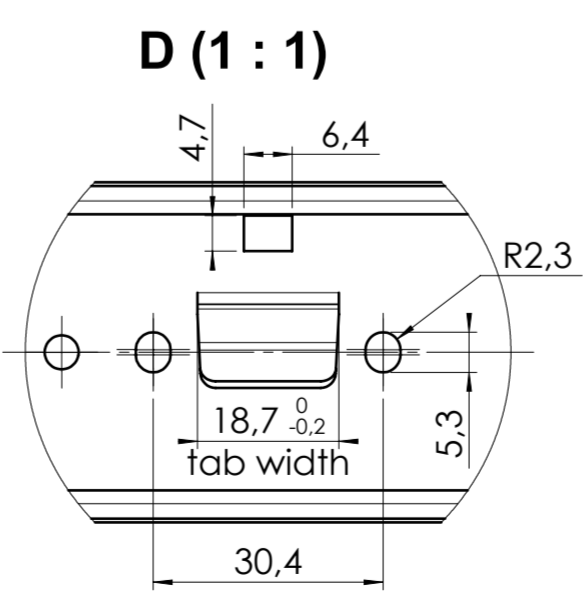
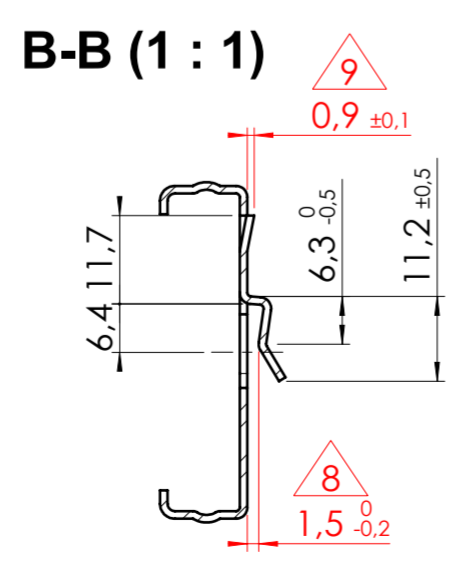
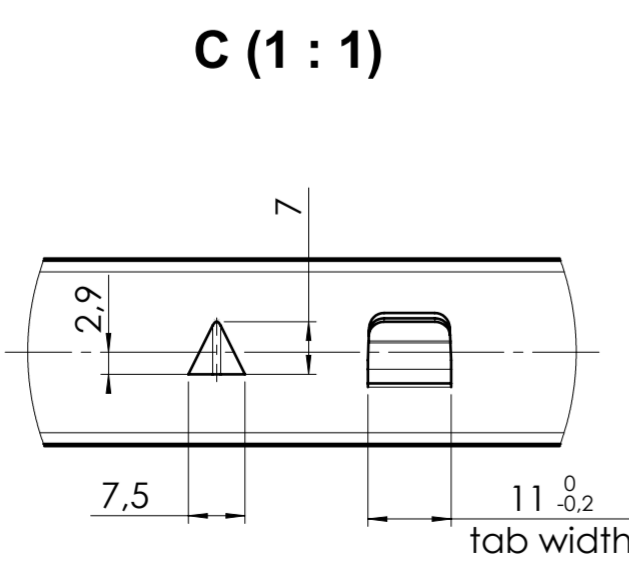
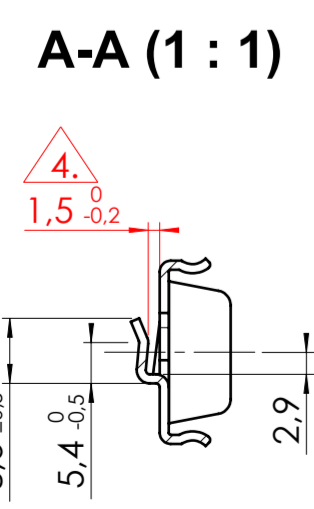
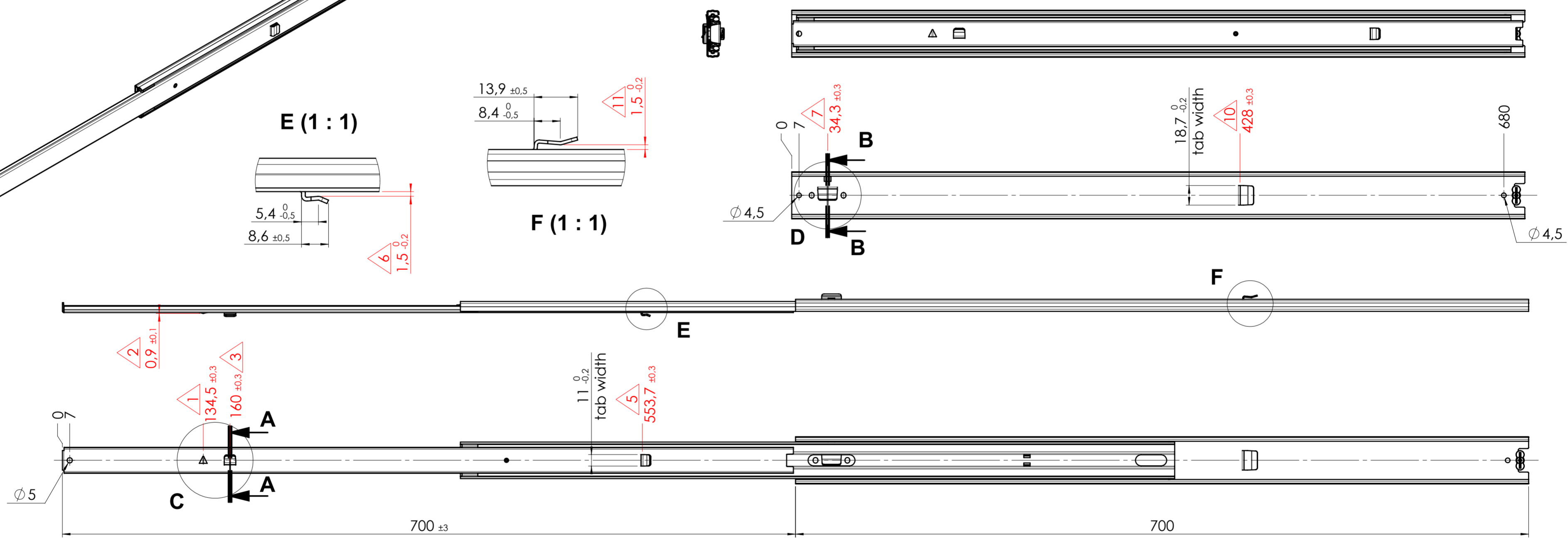
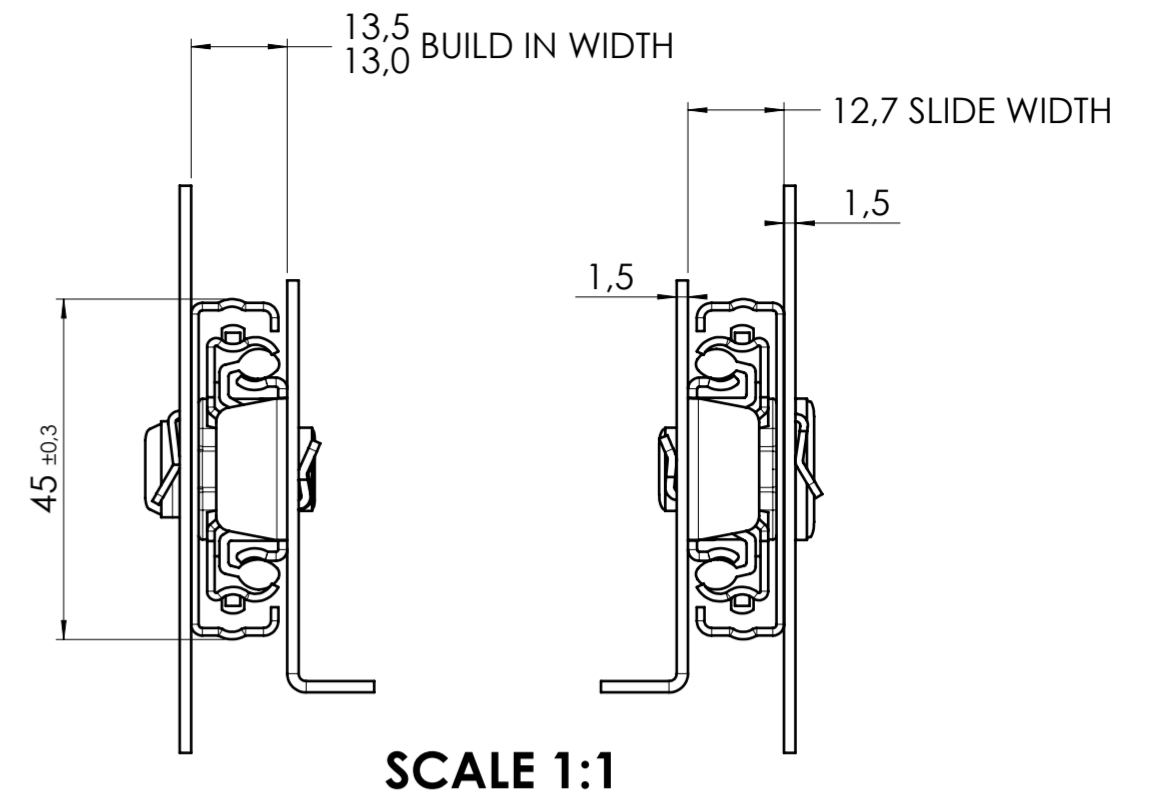
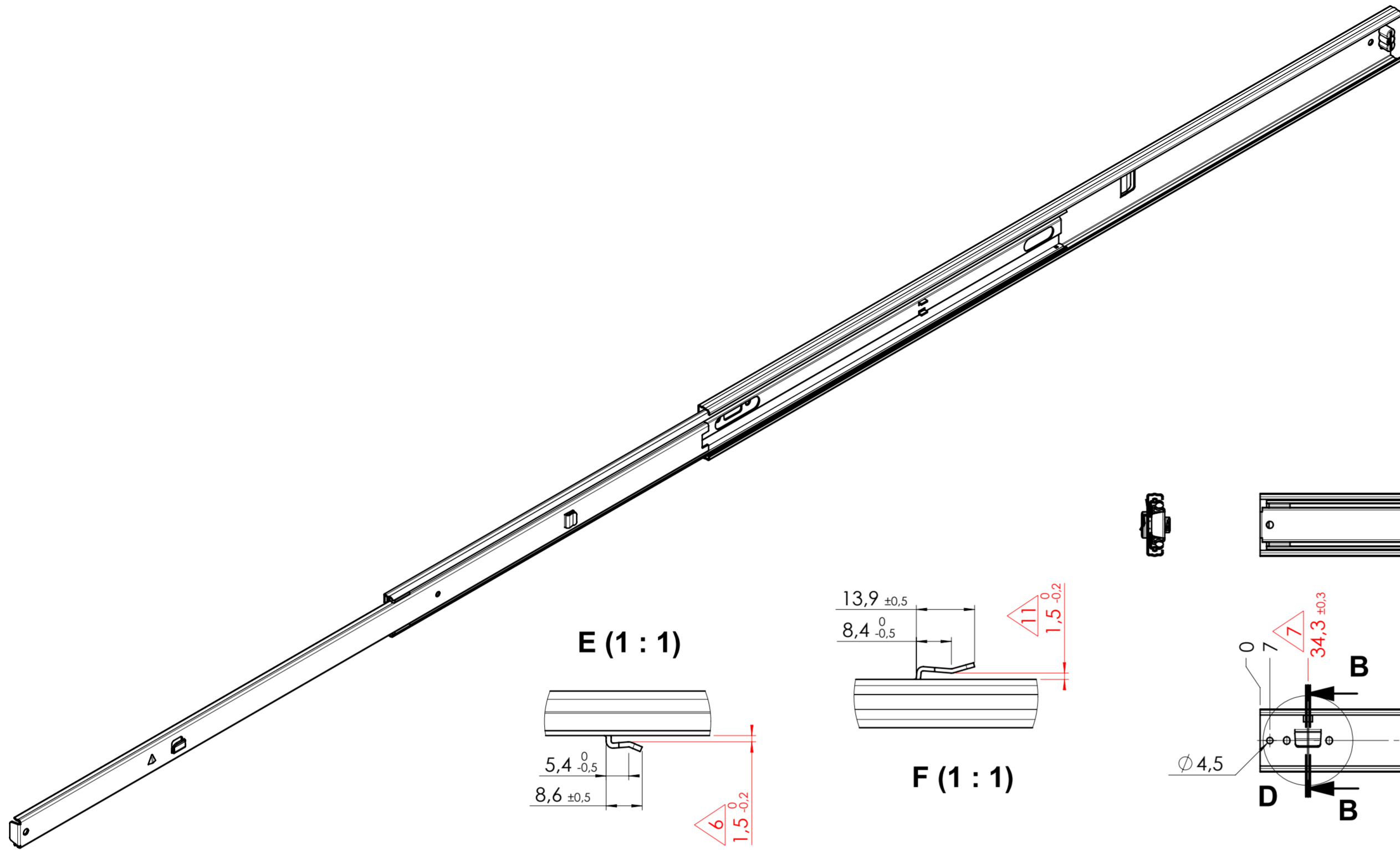


X



xx = check dimension, next free check number 12

| | | | |
|--|---|--|---|
| general tolerances | | DIN ISO 128-30 | |
| stamping part according Fulterer W18-001 | plastic part according DIN ISO 16742 TG4 | missing dimensions see 3D = theor. intersection | |
| This drawing remains our property and may not be multiplied neither be disclosed to third parties (§§1,3 and 5 from the copyright Act (UrhG)) covered according to DIN ISO 16016 | | | |
| (k) _____ (l) _____ (m) _____ (n) _____ (o) _____ (p) _____ (q) _____ (r) _____ (s) _____ (t) _____ (u) _____ (v) _____ (w) _____ (x) _____ (y) _____ (z) _____ ind. changes | scale: 1:3 | surface: | material, semi finished parts: STEEL (technical requirements Fulterer) |
| | drawn: 19-04-2021 proven: 00-00-0000 | date: _____ name: MW | description: SIDE MOUNT FULL EXTENSION SMT (1,5) DRAWER SLIDE WITH DRAWER DISCONNECT |
| | Fulterer AG & Co KG A-6890 Lustenau / Austria Fulterer AG CH-9430 St. Margrethen | | drawing number: 5045.700-GA.C101A replaces version date: |