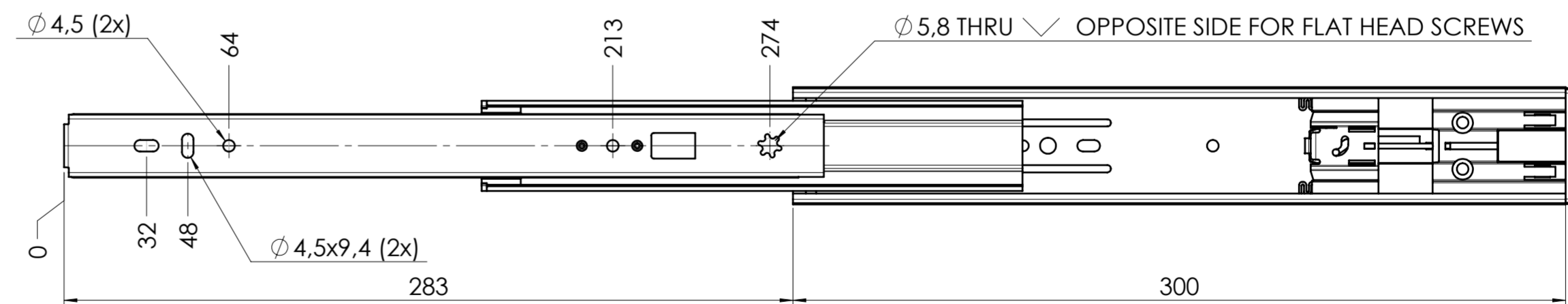
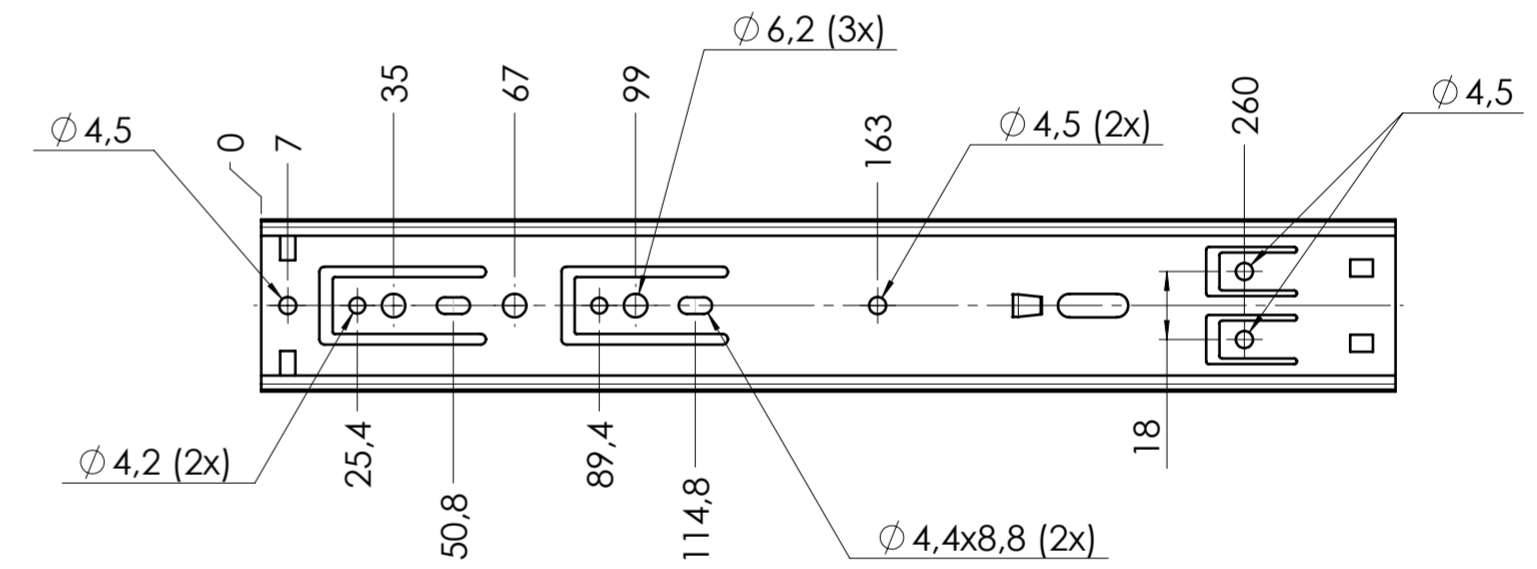


CABINET MOUNTING HOLES



RECOMMENDED HARDWARE:
 CABINET- 3.5mm SPAX M4 BUTTON HEAD OR #8 TRUSS HEAD SCREW
 DRAWER- 3.5mm SPAX M4 BUTTON HEAD OR #8 TRUSS HEAD SCREW

general tolerances		DIN ISO 128-30 missing dimensions see 3D = theor. intersection	
stamping part according Fulterer W18-001	plastic part according DIN ISO 16742 TG4		
This drawing remains our property and may not be multiplied neither be disclosed to third parties (§§1,3 and 5 from the copyright Act (UrhG)) covered according to DIN ISO 16016			
		scale: 1:2	surface: A2
		date 09-12-2020	name MW
		proven 00-00-0000	00
		Fulterer	
		Fulterer AG & Co KG A-6890 Lustenau / Austria	
		Fulterer AG CH-9430 St. Margrethen	
(k) description:		material, semi finished parts:	
(l) description:		STEEL (technical requirements Fulterer)	
(m) description:		SIDE MOUNT FULL EXTENSION DRAWER SLIDE WITH SOFT-CLOSE & DRAWER DISCONNECT	
(n) description:		drawing number: 5046.300-GA.C001A	
(o) description:		replaces version date:	
(a) Lochposition angepasst	16-04-2021	MW	na.
ind. changes	date	na.	