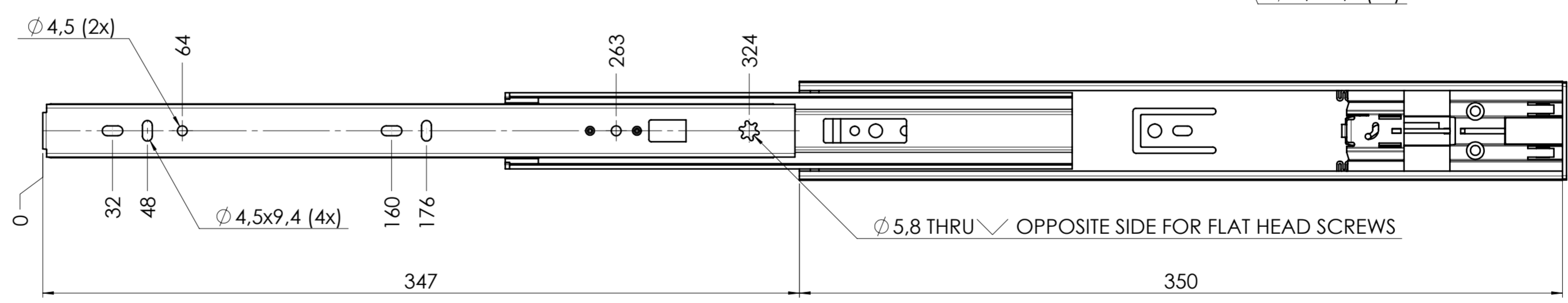
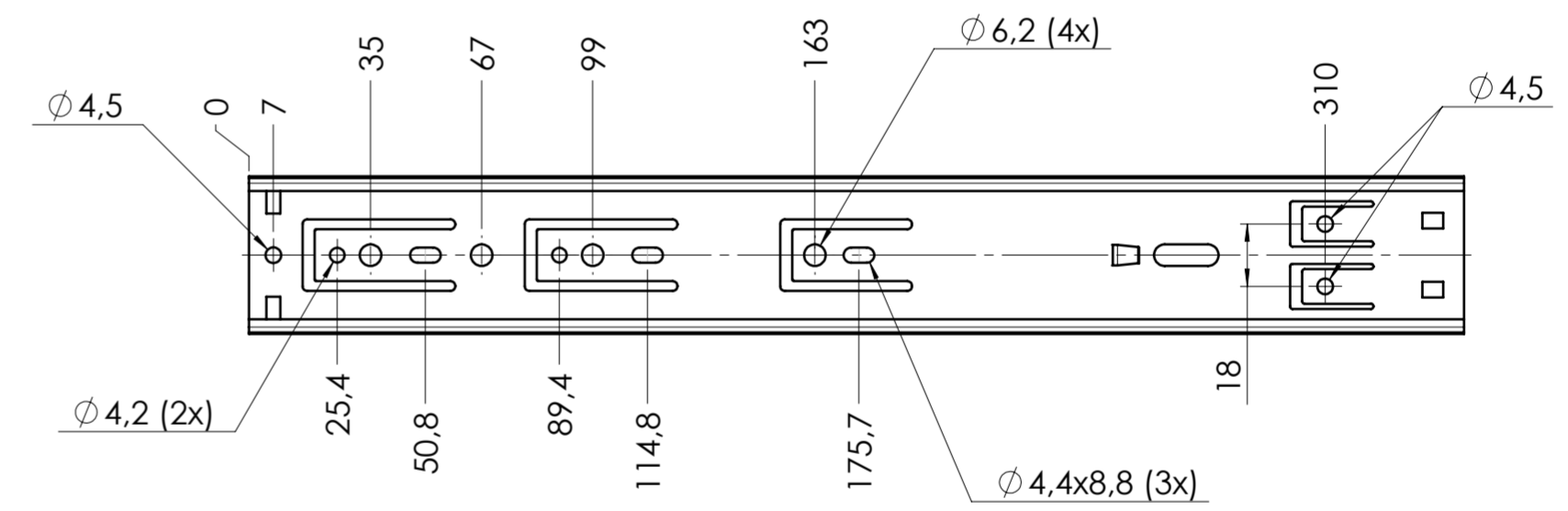


CABINET MOUNTING HOLES



RECOMMENDED HARDWARE:
 CABINET- 3.5mm SPAX M4 BUTTON HEAD OR #8 TRUSS HEAD SCREW
 DRAWER- 3.5mm SPAX M4 BUTTON HEAD OR #8 TRUSS HEAD SCREW

| | | | | | | | |
|---|------------------------|---|---|--|------------|--|---|
| general tolerances | | stamping part according Fulterer W18-001 | | plastic part according DIN ISO 16742 TG4 | | DIN ISO 128-30 missing dimensions see 3D = theor. intersection | |
| This drawing remains our property and may not be multiplied neither be disclosed to third parties (§§1,3 and 5 from the copyright Act (UrhG)) covered according to DIN ISO 16016 | | | | | | | |
| (k) | | | | scale: | 1:2 | surface: | material, semi finished parts: STEEL (technical requirements Fulterer) |
| (l) | | | | date | 09-12-2020 | name | MW |
| (m) | | | | drawn | 09-12-2020 | proven | 00-00-0000 00 |
| (n) | | | | Fulterer | | description: SIDE MOUNT FULL EXTENSION DRAWER SLIDE WITH SOFT- CLOSE & DRAWER DISCONNECT | |
| (o) | | | drawing number: 5046.350-GA.C001A | | | | |
| (p) | | | | Fulterer AG & Co KG A-6890 Lustenau / Austria | | replaces version date: | |
| (q) | | | | Fulterer AG CH-9430 St. Margrethen | | | |
| (r) | | | | | | | |
| (s) | | | | | | | |
| (t) | | | | | | | |
| (u) | | | | | | | |
| (v) | | | | | | | |
| (w) | | | | | | | |
| (x) | | | | | | | |
| (y) | | | | | | | |
| (z) | | | | | | | |
| ind. | Lochposition angepasst | 16-04-2021 | MW | na. | | | |
| | changes | date | | | | | |