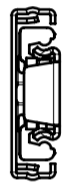
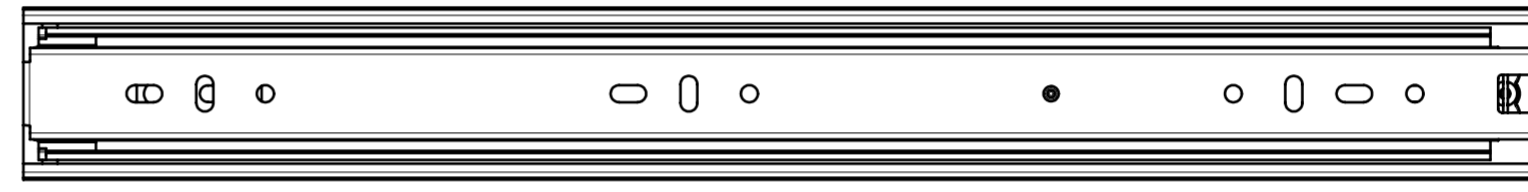
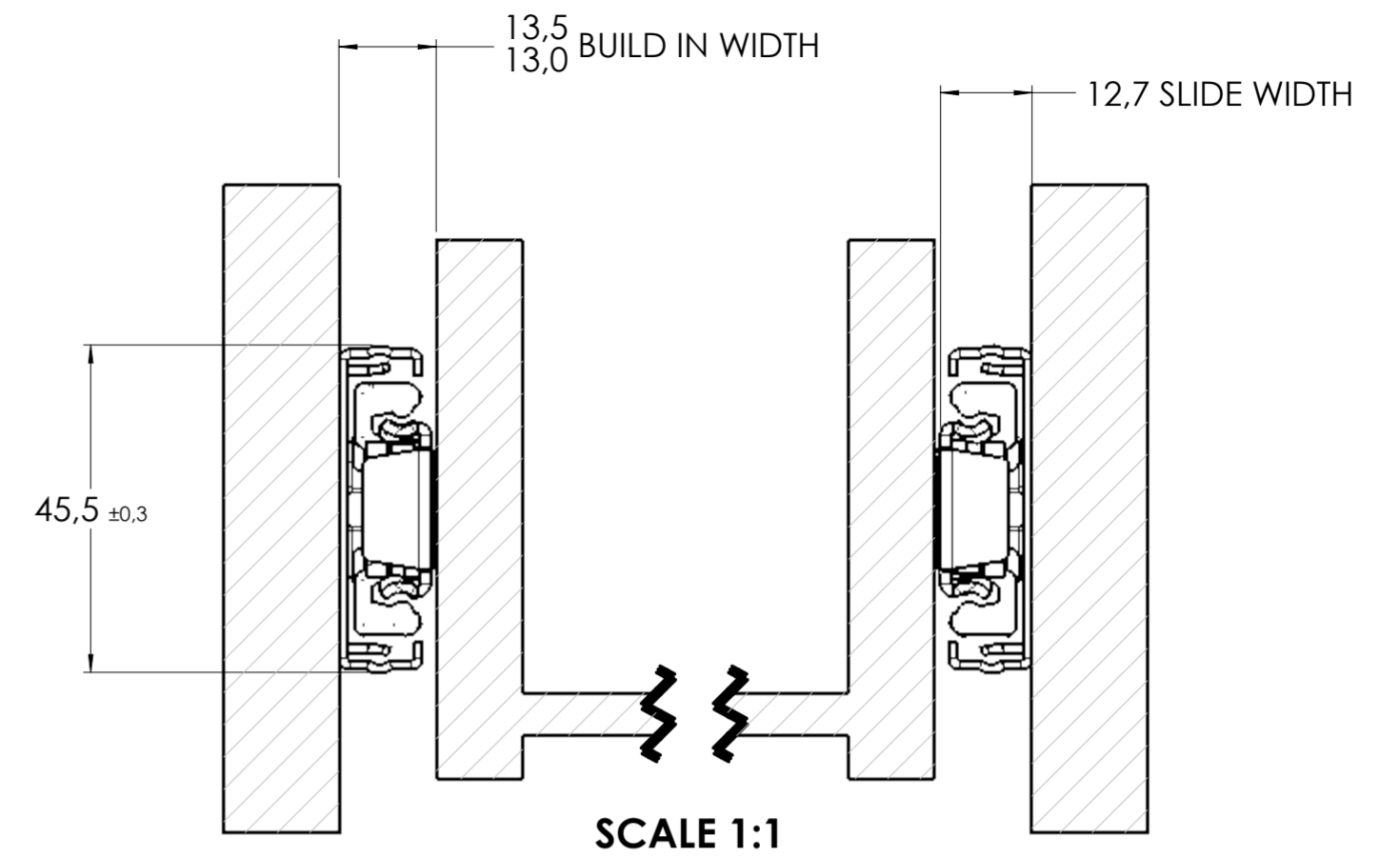
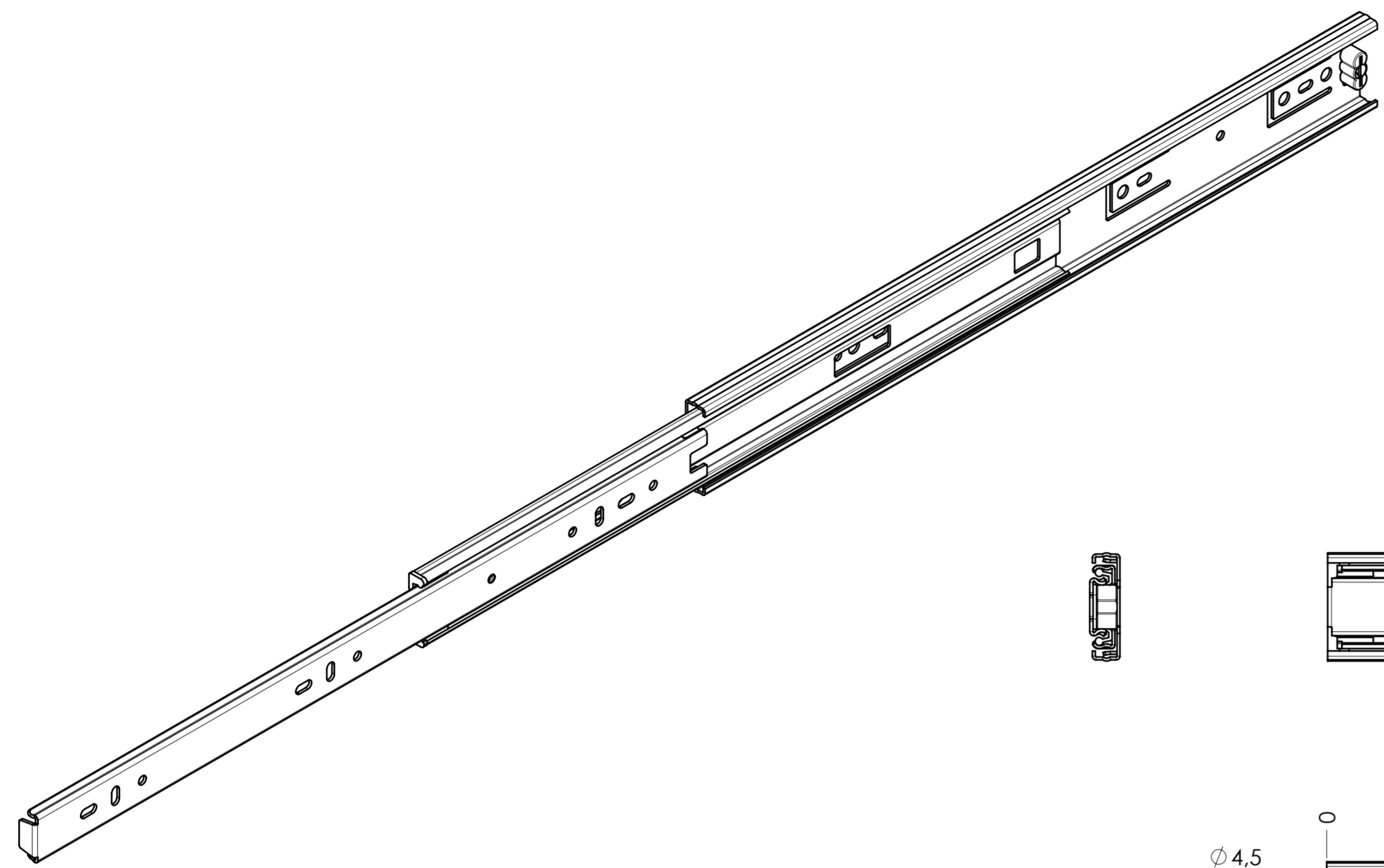
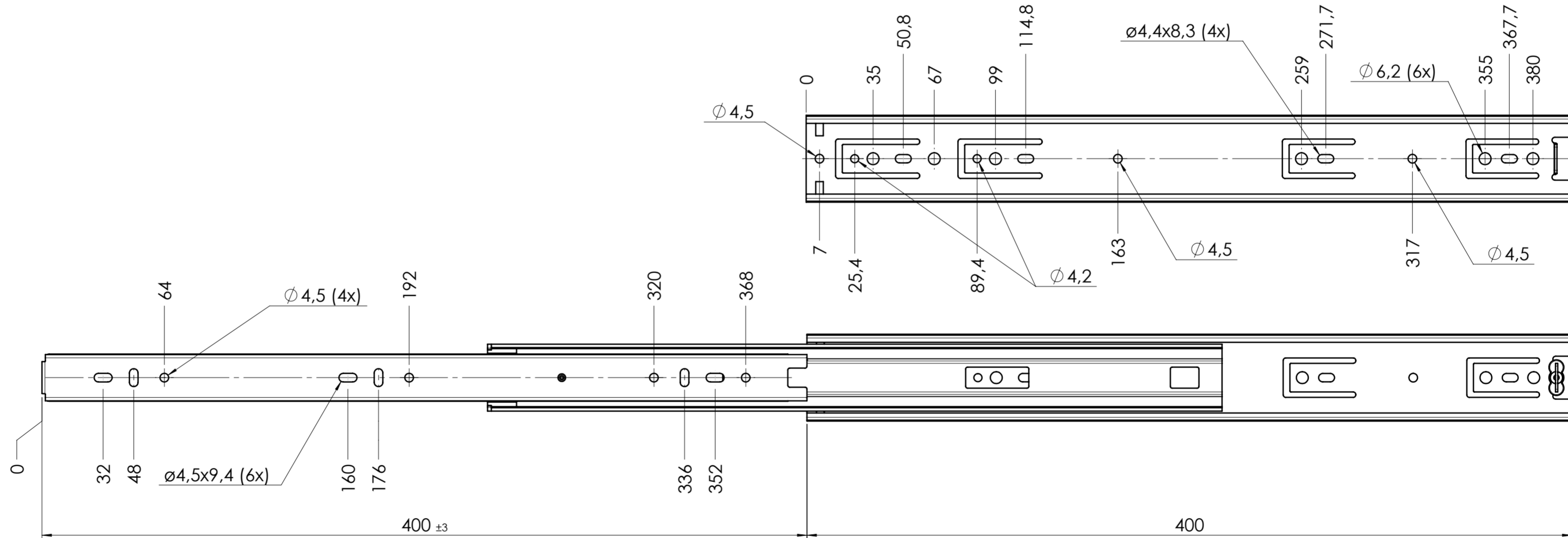


# 5046.400-GA.C000A

X



## CABINET MOUNTING HOLES



RECOMMENDED HARDWARE:  
 CABINET- 3.5mm SPAX M4 BUTTON HEAD OR #8 TRUSS HEAD SCREW  
 DRAWER- 3.5mm SPAX M4 BUTTON HEAD OR #8 TRUSS HEAD SCREW

general tolerances		DIN ISO 128-30 missing dimensions see 3D = theor. intersection	
stamping part according Fulterer W18-001	plastic part according DIN ISO 16742 TG4		
This drawing remains our property and may not be multiplied neither be disclosed to third parties (§§1,3 and 5 from the copyright Act (UrhG))			
covered according to DIN ISO 16016		scale: 1:2	surface: A2
(k)		date	name
(l)		drawn 17-06-2020	MW
(m)		proven 00-00-0000	00
(n)			
(o)			
(p)		Fulterer AG & Co KG A-6890 Lustenau / Austria Fulterer AG CH-9430 St. Margrethen	
(q)		drawing number: <b>5046.400-GA.C000A</b>	
(r)		replaces version date:	
(s)			
(t)			
(u)			
(v)			
(w)			
(x)			
(y)			
(z)			
ind.	changes	date	na.