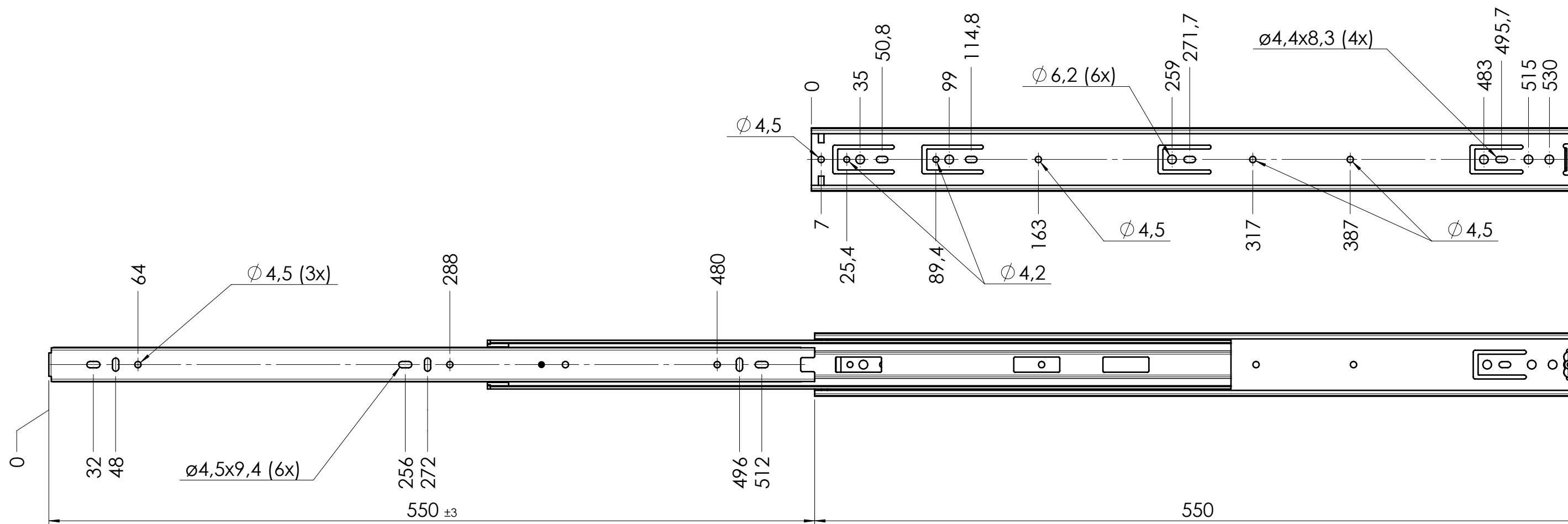


CABINET MOUNTING HOLES



RECOMMENDED HARDWARE:

CABINET- 3.5mm SPAX M4 BUTTON HEAD OR #8 TRUSS HEAD SCREW

DRAWER- 3.5mm SPAX M4 BUTTON HEAD OR #8 TRUSS HEAD SCREW

general tolerances		stamping part according Fulterer W18-001		plastic part according DIN ISO 16742 TG4		DIN ISO 128-30 missing dimensions see 3D = theor. intersection		
This drawing remains our property and may not be multiplied neither be disclosed to third parties (§§1,3 and 5 from the copyright Act (UrhG))								
covered according to DIN ISO 16016				scale: 1:3	surface:	material, semi finished parts: Steel (technical requirements Fulterer)		
(k)				drawn	date	name	description: SIDE MOUNT FULL EXTENSION DRAWER SLIDE WITH DRAWER DISCONNECT	
(l)				proven	17-06-2020	MW		
(m)				Fulterer				drawing number: 5046.550-GA.C000A
(n)								
(o)				Fulterer AG & Co KG A-6890 Lustenau / Austria				
(p)				Fulterer AG CH-9430 St. Margrethen				
(q)				drawing number: 5046.550-GA.C000A				
(r)				replaces version date:				
(s)				ind.	changes	date	na.	