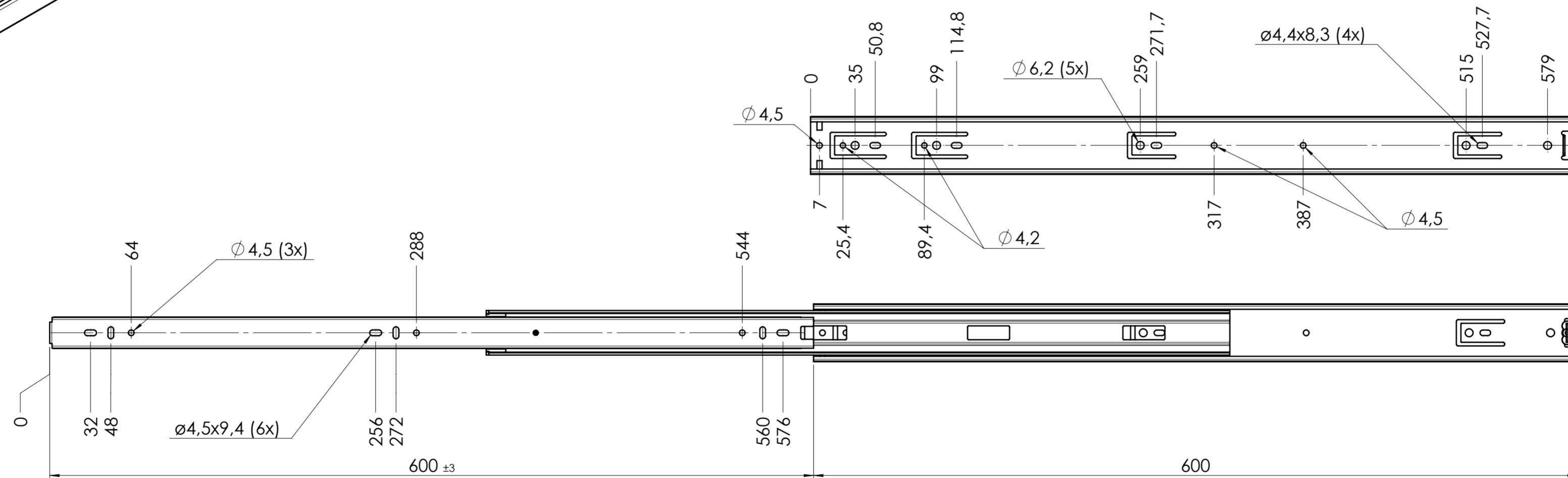


CABINET MOUNTING HOLES



RECOMMENDED HARDWARE:

CABINET- 3.5mm SPAX M4 BUTTON HEAD OR #8 TRUSS HEAD SCREW

DRAWER- 3.5mm SPAX M4 BUTTON HEAD OR #8 TRUSS HEAD SCREW

general tolerances		stamping part according Fulterer W18-001		plastic part according DIN ISO 16742 TG4		DIN ISO 128-30 missing dimensions see 3D = theor. intersection	
This drawing remains our property and may not be multiplied neither be disclosed to third parties (§§1,3 and 5 from the copyright Act (UrhG)) covered according to DIN ISO 16016							
(k)				scale:	1:3	surface:	material, semi finished parts: Steel
(l)				date	17-06-2020	name	MW
(m)				drawn	00-00-0000	proven	00
(n)				Fulterer		description: SIDE MOUNT FULL EXTENSION DRAWER SLIDE WITH DRAWER DISCONNECT	
(o)						drawing number: 5046.600-GA.C000A	
(p)				Fulterer AG & Co KG A-6890 Lustenau / Austria		replaces version date:	
(q)				Fulterer AG CH-9430 St. Margrethen			
(r)	0	00-00-0000	0	ind.	changes	date	na.