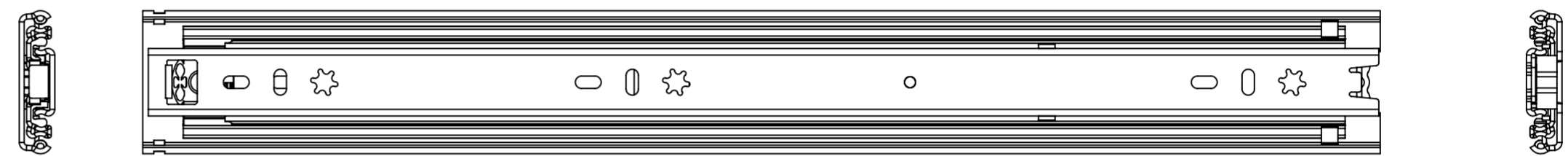
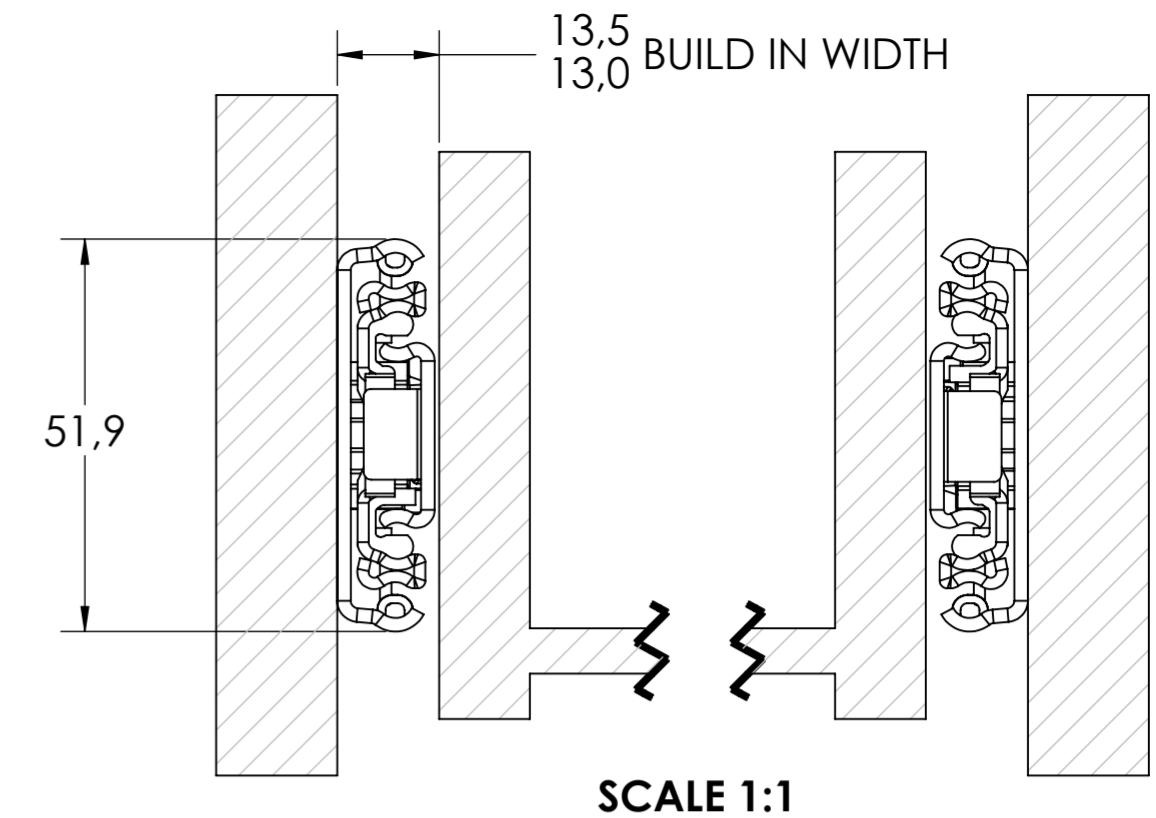
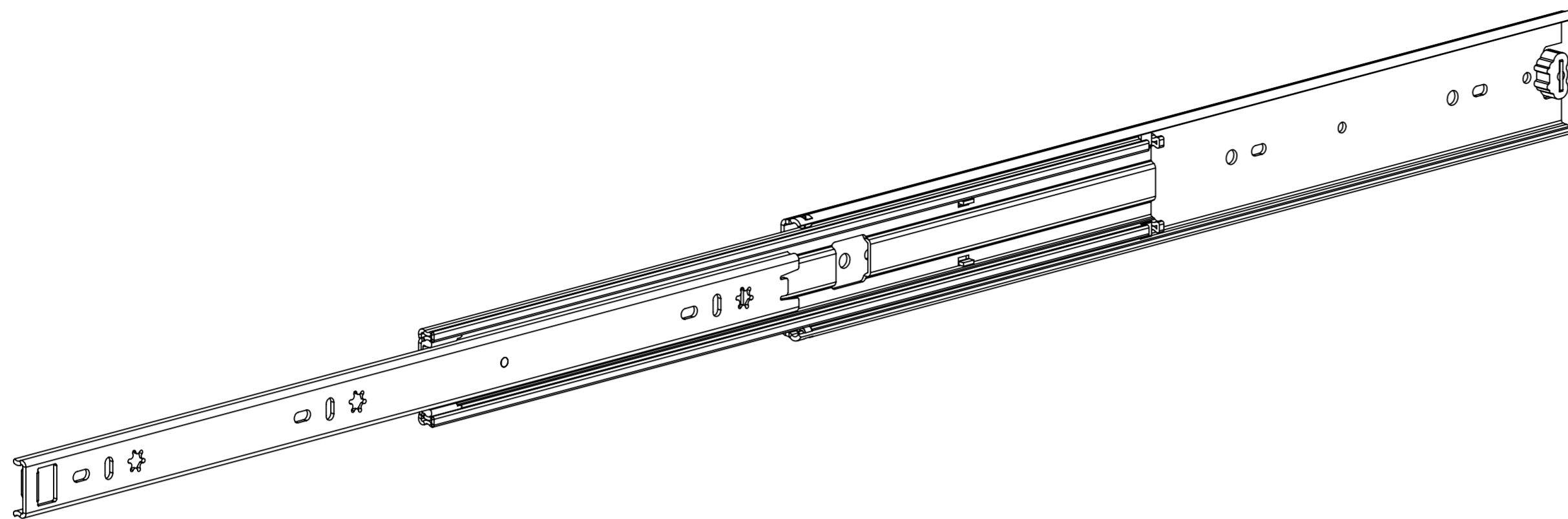
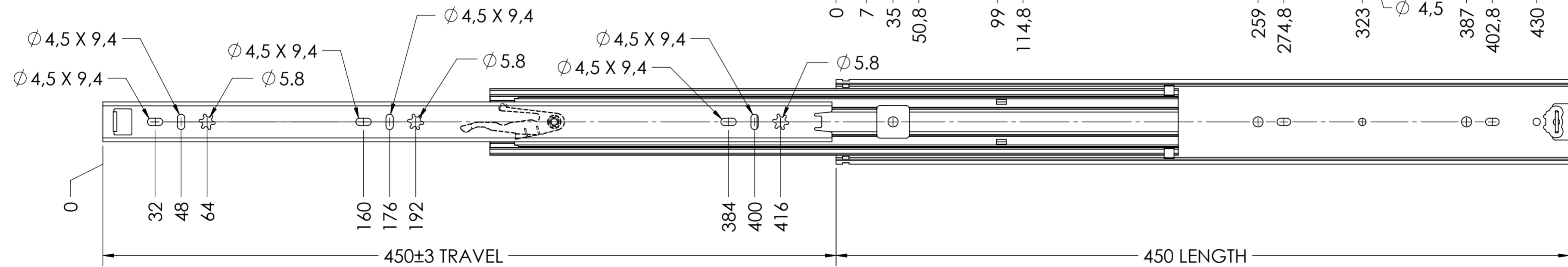
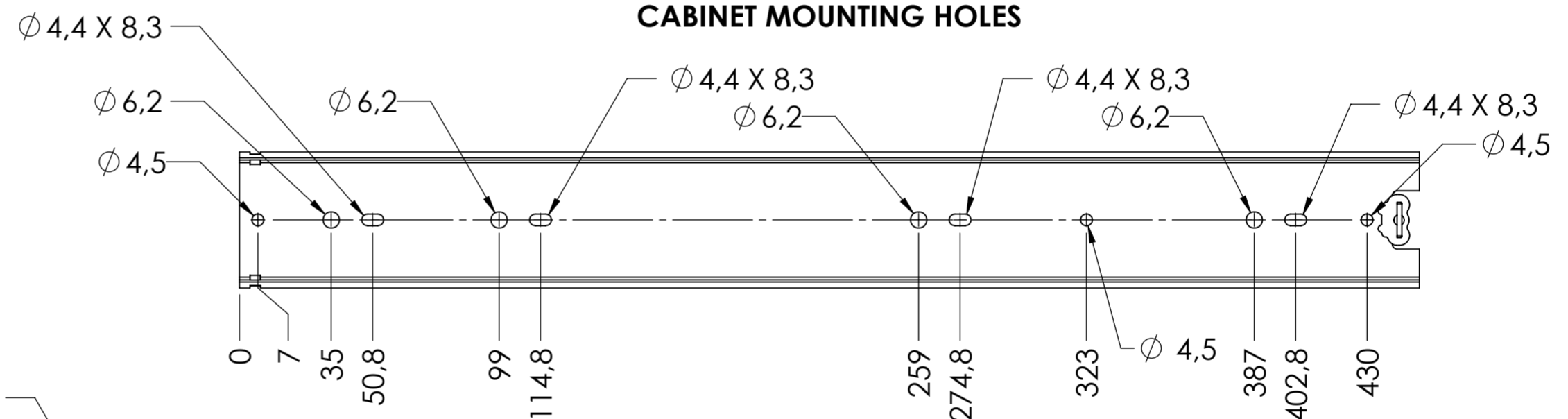


5052.450-GA.T005

X



CABINET MOUNTING HOLES



RECOMMENDED HARDWARE:
 CABINET- M4 BUTTON HEAD OR #8 TRUSS HEAD SCREW
 DRAWER- M4 BUTTON HEAD OR #8 TRUSS HEAD SCREW

general tolerances		missing dimensions see 3D = theor. intersection	
ISO 2768-m			
This drawing remains our property and may not be multiplied neither be disclosed to third parties (§§1,3 and 5 from the copyright Act (UrhG)) covered according to DIN ISO 16016			
(k)		scale:	surface:
(l)		1:21:2	
(m)		date	name
(n)		drawn 05-10-2018	HB
(o)		proven 00-00-0000	00
(p)		Fulterer	
(q)			
(r)		Fulterer AG & Co KG A-6890 Lustenau / Austria Fulterer AG CH-9430 St. Margrethen	
(s)		drawing number: 5052.450-GA.T005	
(t)		replaces version date:	
(u)	0	00-00-0000	0
(v)	ind.	changes	date na.