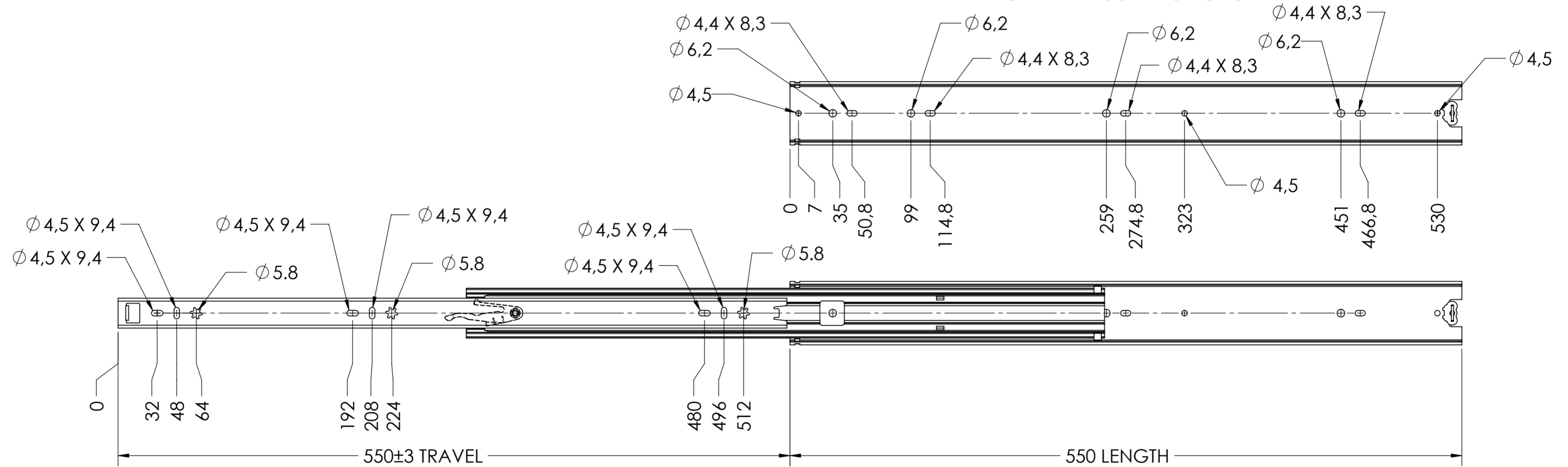


CABINET MOUNTING HOLES



RECOMMENDED HARDWARE:

CABINET- M4 BUTTON HEAD OR #8 TRUSS HEAD SCREW

DRAWER- M4 BUTTON HEAD OR #8 TRUSS HEAD SCREW

general tolerances		missing dimensions see 3D = theor. intersection	
ISO 2768-m			
This drawing remains our property and may not be multiplied neither be disclosed to third parties (§§1,3 and 5 from the copyright Act (UrhG)) covered according to DIN ISO 16016			
(k)	scale:	3:83:8	surface:
(l)	date	05-10-2018	name
(m)	drawn	HB	description:
(n)	proven	00-00-0000	00
(o)	Fulterer		FULL EXTENSION SIDE MOUNT DRAWER SLIDE WITH DRAWER DISCONNECT
(p)	Fulterer AG & Co KG		drawing number:
(q)	A-6890 Lustenau / Austria		5052.550-GA.T005
(r)	Fulterer AG		replaces version date:
(s)	CH-9430 St. Margrethen		
(t)	ind.	changes	date
(u)	0	00-00-0000	0