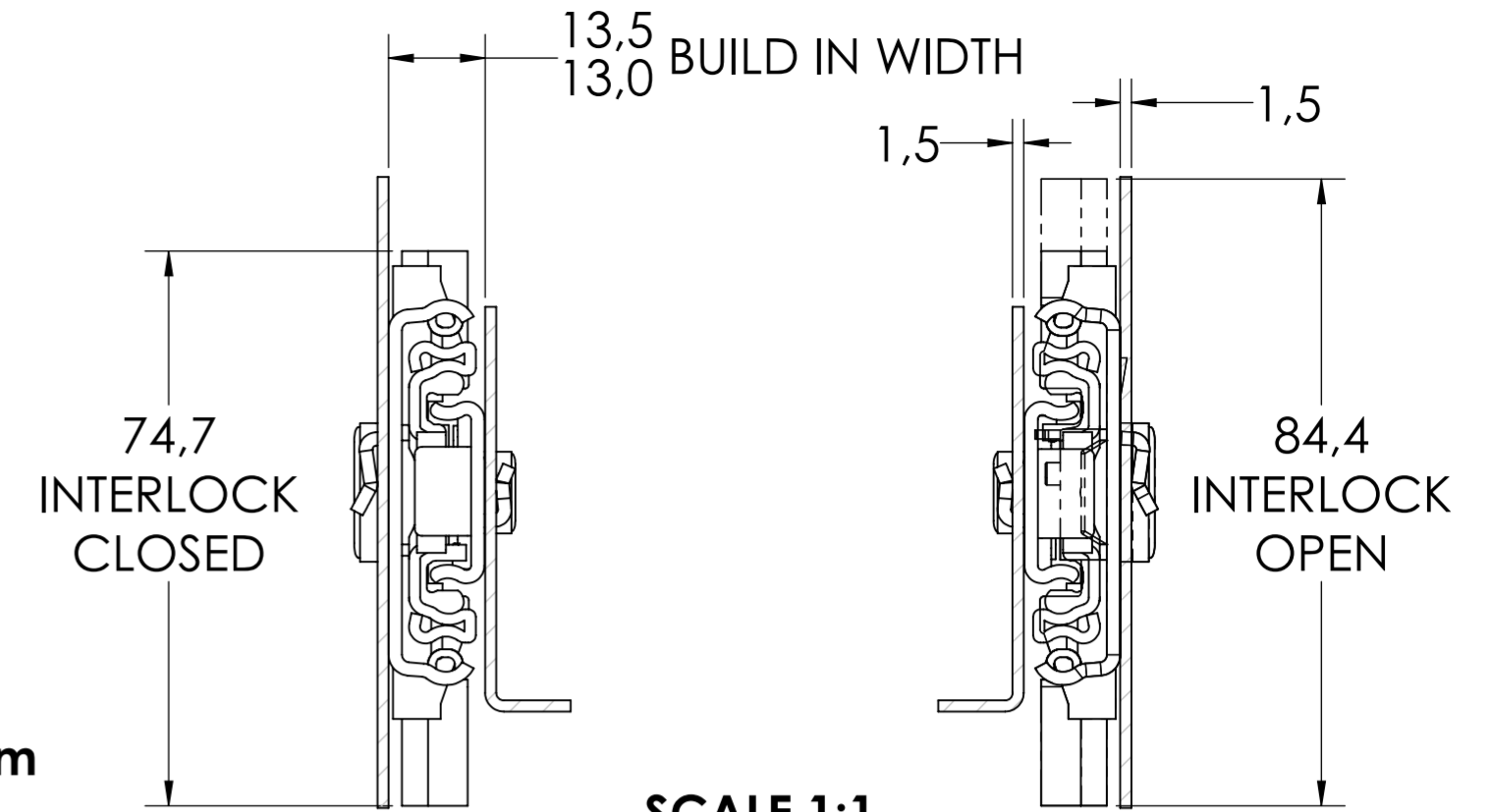


SCALE 1:4
NOTE: 400MM LENGTH SHOWN

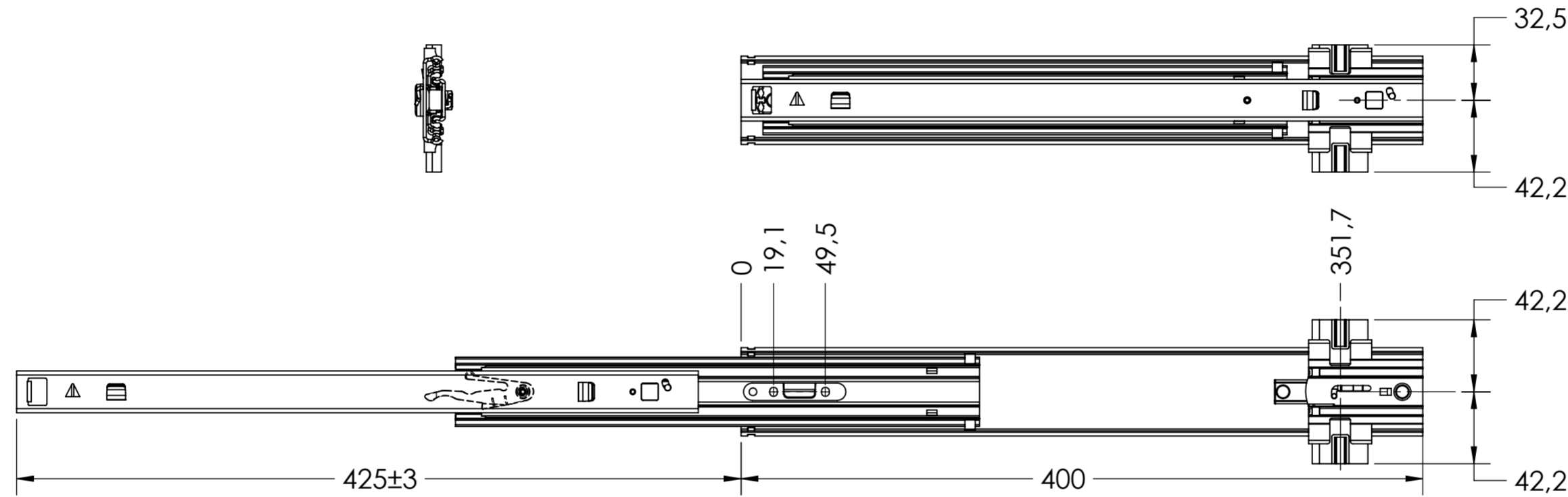
ROD LENGTH $L^{+0.5} = A-44$

ϕ 5mm ROD
FULTERER PART NUMBER 400246

RECOMMENDED MIN. DISTANCE "A" = 90mm

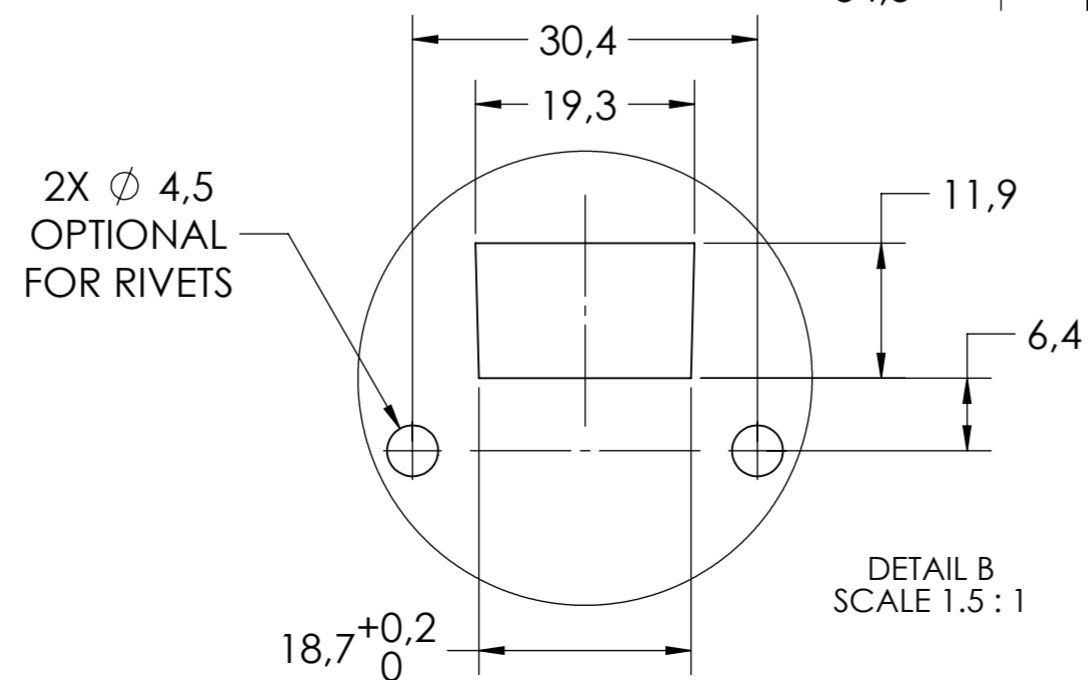
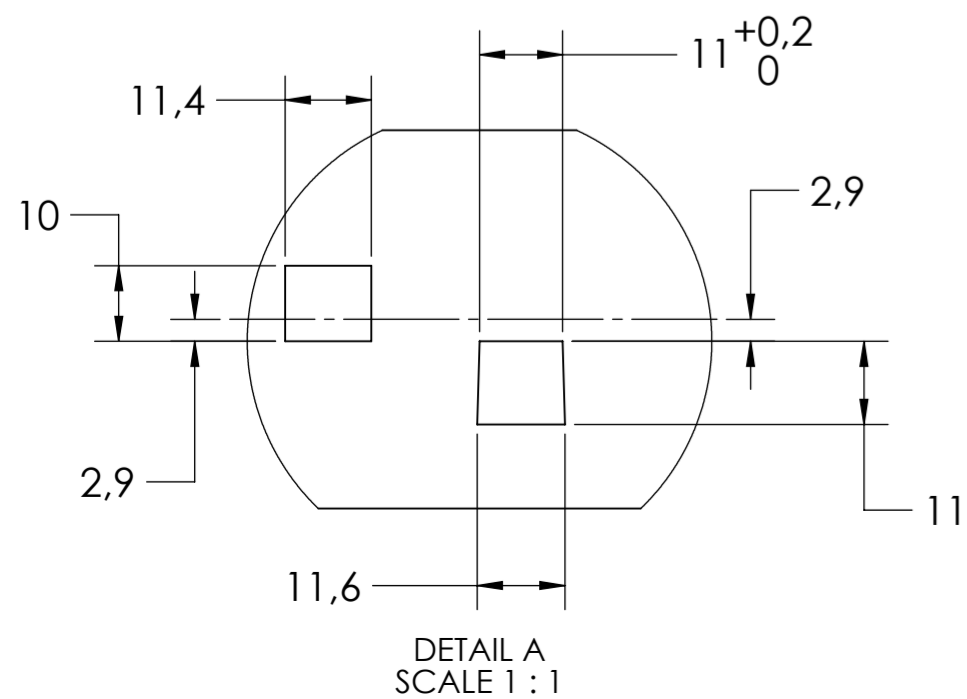
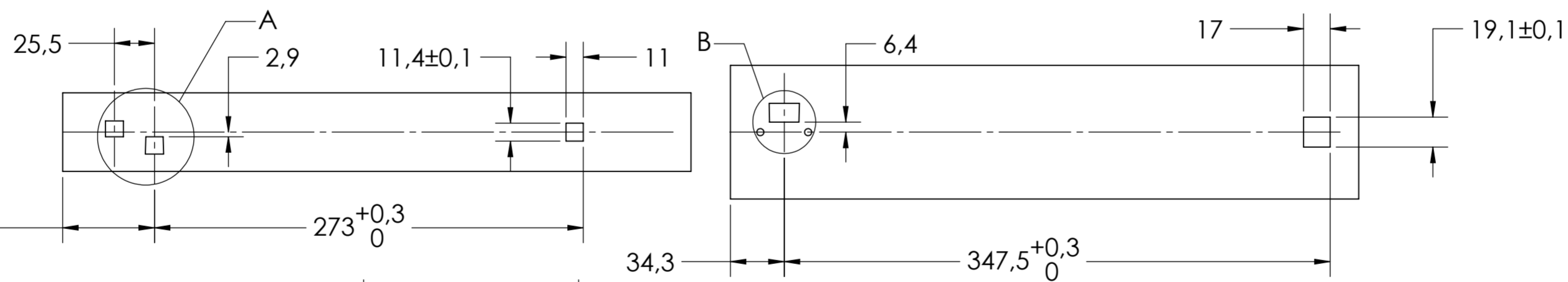


SCALE 1:1



DRAWER MOUNTING CUTOUTS

CABINET MOUNTING CUTOUTS



general tolerances		DIN ISO 128-30 missing dimensions see 3D = theor. intersection	
ISO 2768-m			
This drawing remains our property and may not be multiplied neither be disclosed to third parties (§§1,3 and 5 from the copyright Act (UrhG)) covered according to DIN ISO 16016			
(k)	scale:	1:3	surface: A2
(l)	date:	11-06-2019	name: HB
(m)	proven:	00-00-0000	00
(n)	Fulterer		material, semi finished parts: STEEL (technical requirements Fulterer)
(o)			description: SIDE MOUNT OVER EXTENSION SMT (1.5) INTERLOCKING SLIDE WITH DRAWER DISCONNECT
(p)	Fulterer AG & Co KG A-6890 Lustenau / Austria		drawing number: 5219.400-GA.T120
(q)	Fulterer AG CH-9430 St. Margrethen		replaces version date:
(r)	ind. changes	date	na.