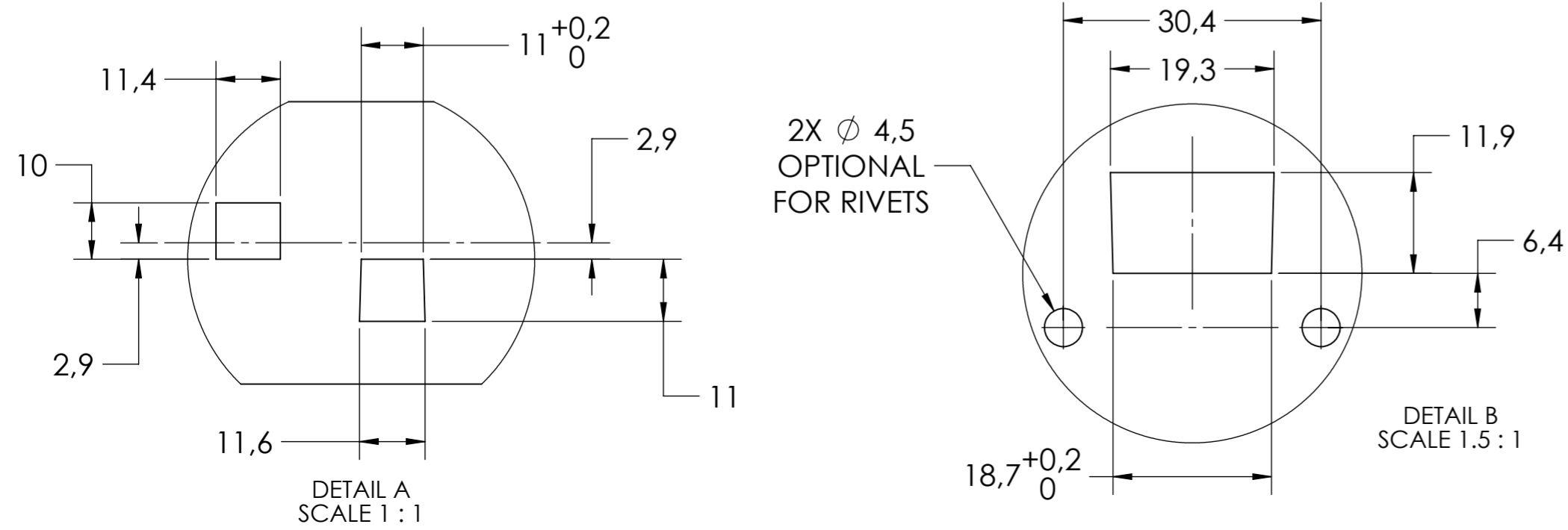
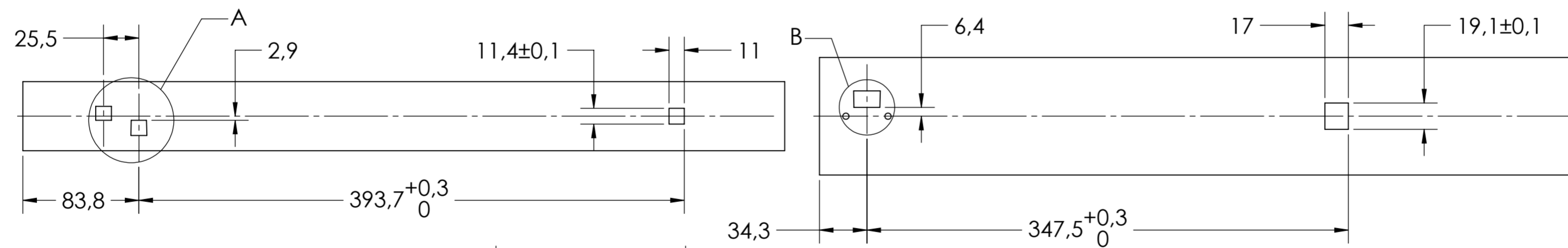


### DRAWER MOUNTING CUTOUTS

### CABINET MOUNTING CUTOUTS



general tolerances		DIN ISO 128-30 missing dimensions see 3D = theor. intersection	
ISO 2768-m			
This drawing remains our property and may not be multiplied neither be disclosed to third parties (§§1,3 and 5 from the copyright Act (UrhG)) covered according to DIN ISO 16016			
scale: 1:3		surface: A2	
date: 11-06-2019		name: HB	
drawn: 00-00-0000		description: STEEL (technical requirements Fulterer)	
proven: 00-00-0000		description: SIDE MOUNT OVER EXTENSION SMT (1.5) INTERLOCKING SLIDE WITH DRAWER DISCONNECT	
drawing number: 5219.550-GA.T120		drawing number: 5219.550-GA.T120	
replaces version date:		replaces version date:	
ind.	changes	date	na.