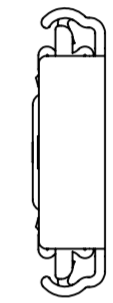
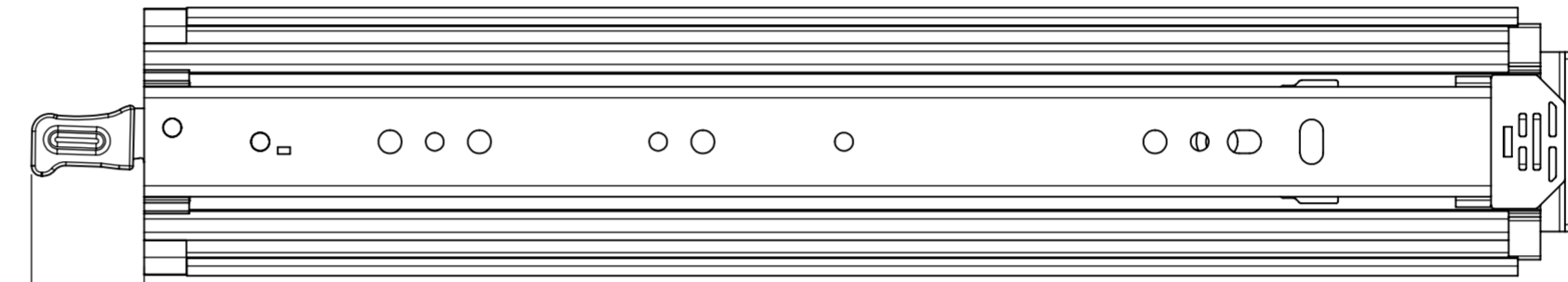
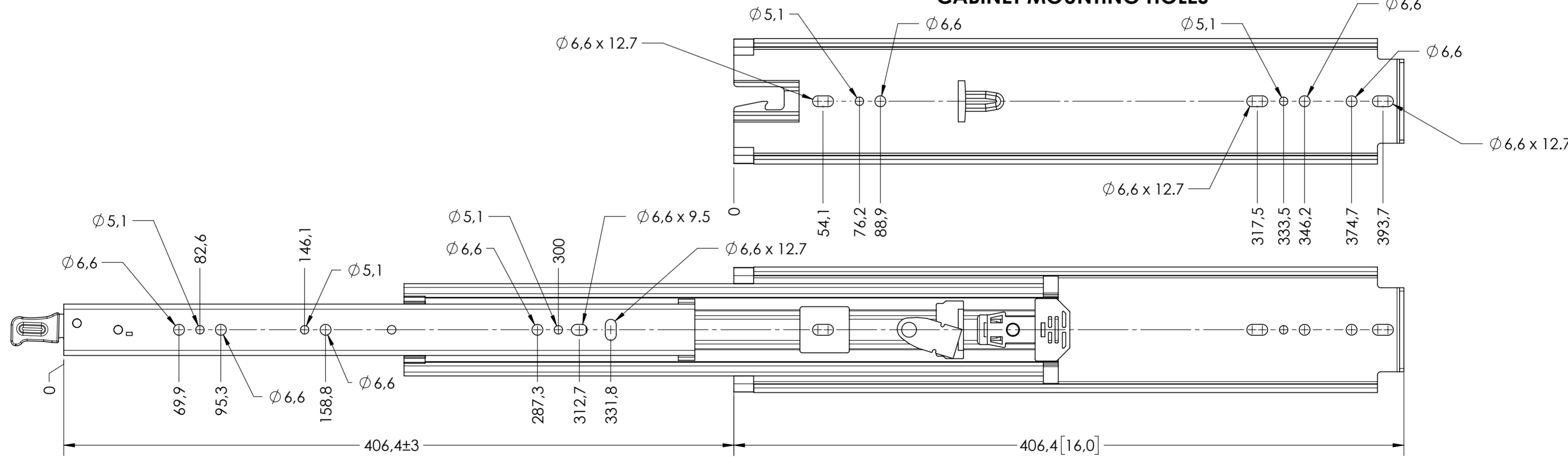


35 REF.



CABINET MOUNTING HOLES



RECOMMENDED HARDWARE:
 CABINET- M6 OR 1/4 BUTTON HEAD SCREWS
 DRAWER- M6 OR 1/4 BUTTON HEAD SCREWS

general tolerances		DIN ISO 128-30 missing dimensions see 3D = theor. intersection	
ISO 2768-m			
This drawing remains our property and may not be multiplied neither be disclosed to third parties (§§1,3 and 5 from the copyright Act (UrhG)) covered according to DIN ISO 16016			
(k)		scale:	surface:
(l)		1:2	
(m)		date	name
(n)		drawn 15-08-2018	HB
(o)		proven 00-00-0000	00
(p)		Fulterer	
(q)			
(r)		Fulterer AG & Co KG A-6890 Lustenau / Austria	
(s)		Fulterer AG CH-9430 St. Margrethen	
(t)	UPDATE TITLE BLOCK	19-03-2019	HB
(u)	changes	date	na.
(v)			
(w)			
(x)			
(y)			
(z)			
ind.			

material, semi finished parts: STEEL (technical requirements Fulterer)

description: FULL EXTENSION SIDE MOUNT HEAVY DUTY LOCK-IN/LOCK OUT NON-DISCONNECT SLIDE

drawing number: 5400.16-GA.T009

replaces version date: