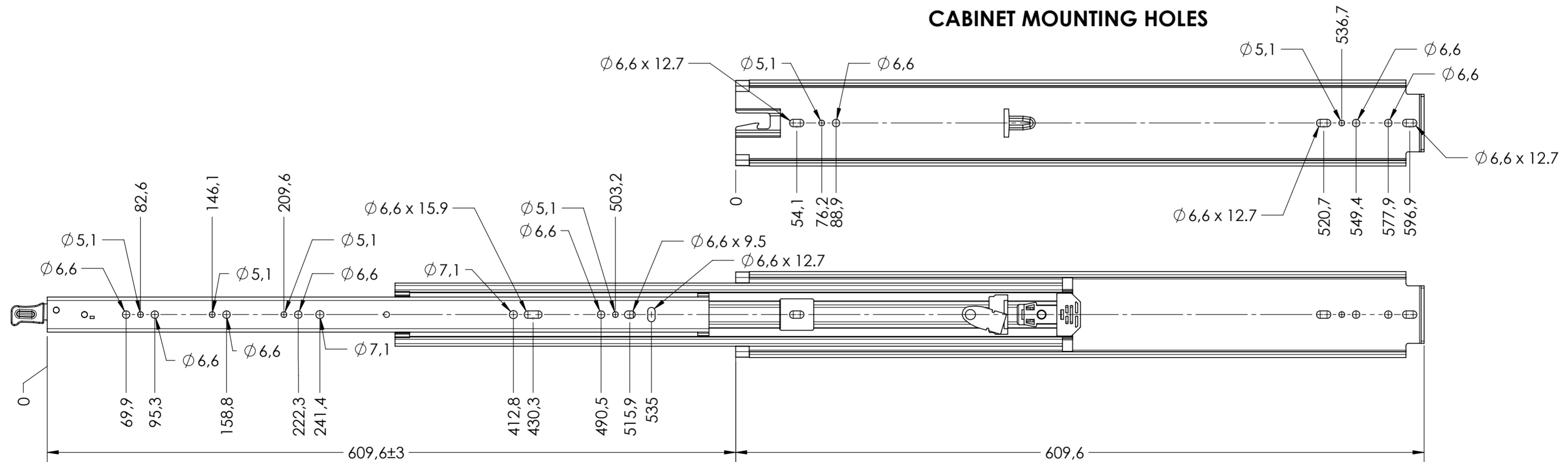


CABINET MOUNTING HOLES



RECOMMENDED HARDWARE:
 CABINET- M6 OR 1/4 BUTTON HEAD SCREWS
 DRAWER- M6 OR 1/4 BUTTON HEAD SCREWS

general tolerances		DIN ISO 128-30	
ISO 2768-m		missing dimensions see 3D = theor. intersection	
This drawing remains our property and may not be multiplied neither be disclosed to third parties (§§1,3 and 5 from the copyright Act (UrhG)) covered according to DIN ISO 16016			
(k)		scale:	material, semi finished parts:
(l)		1:3	STEEL
(i)		surface:	(technical requirements Fulterer)
(h)		date	description:
(g)		drawn 15-08-2018	FULL EXTENSION SIDE MOUNT
(f)		proven 00-00-0000	HEAVY DUTY LOCK-IN/LOCK OUT
(e)			NON-DISCONNECT SLIDE
(d)			drawing number:
(c)			5400.24-GA.T009
(b)			replaces version date:
(a)	UPDATE TITLE BLOCK	19-03-2019	HB
ind.	changes	date	na.