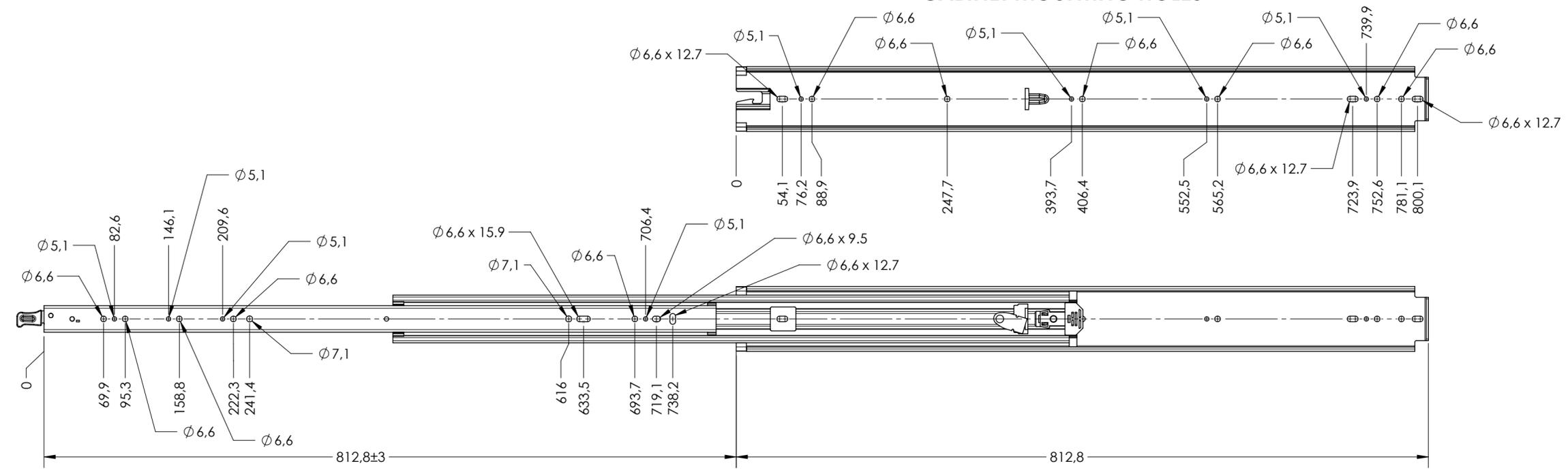


### CABINET MOUNTING HOLES



RECOMMENDED HARDWARE:  
 CABINET- M6 OR 1/4 BUTTON HEAD SCREWS  
 DRAWER- M6 OR 1/4 BUTTON HEAD SCREWS

general tolerances		DIN ISO 128-30	
ISO 2768-m		missing dimensions see 3D = theor. intersection	
This drawing remains our property and may not be multiplied neither be disclosed to third parties (§§1,3 and 5 from the copyright Act (UrhG)) covered according to DIN ISO 16016			
(k)		scale:	material, semi finished parts: A2
(l)		1:4	STEEL
(m)		surface:	(technical requirements Fulterer)
(n)		date	description:
(o)		drawn 15-08-2018	HB
(p)		proven 00-00-0000	00
(q)		FULL EXTENSION SIDE MOUNT HEAVY DUTY LOCK-IN/LOCK OUT NON-DISCONNECT SLIDE	
(r)		drawing number:	
(s)		5400.32-GA.T009	
(t)		replaces version date:	
(u)			
(v)			
(w)			
(x)			
(y)			
(z)			
(aa)	UPDATE TITLE BLOCK	19-03-2019	HB
(ab)	changes	date	na.
(ac)			
(ad)			
(ae)			
(af)			
(ag)			
(ah)			
(ai)			
(aj)			
(ak)			
(al)			
(am)			
(an)			
(ao)			
(ap)			
(aq)			
(ar)			
(as)			
(at)			
(au)			
(av)			
(aw)			
(ax)			
(ay)			
(az)			
(ba)			
(bb)			
(bc)			
(bd)			
(be)			
(bf)			
(bg)			
(bh)			
(bi)			
(bj)			
(bk)			
(bl)			
(bm)			
(bn)			
(bo)			
(bp)			
(bq)			
(br)			
(bs)			
(bt)			
(bu)			
(bv)			
(bw)			
(bx)			
(by)			
(bz)			
(ca)			
(cb)			
(cc)			
(cd)			
(ce)			
(cf)			
(cg)			
(ch)			
(ci)			
(cj)			
(ck)			
(cl)			
(cm)			
(cn)			
(co)			
(cp)			
(cq)			
(cr)			
(cs)			
(ct)			
(cu)			
(cv)			
(cw)			
(cx)			
(cy)			
(cz)			
(da)			
(db)			
(dc)			
(dd)			
(de)			
(df)			
(dg)			
(dh)			
(di)			
(dj)			
(dk)			
(dl)			
(dm)			
(dn)			
(do)			
(dp)			
(dq)			
(dr)			
(ds)			
(dt)			
(du)			
(dv)			
(dw)			
(dx)			
(dy)			
(dz)			
(ea)			
(eb)			
(ec)			
(ed)			
(ee)			
(ef)			
(eg)			
(eh)			
(ei)			
(ej)			
(ek)			
(el)			
(em)			
(en)			
(eo)			
(ep)			
(eq)			
(er)			
(es)			
(et)			
(eu)			
(ev)			
(ew)			
(ex)			
(ey)			
(ez)			
(fa)			
(fb)			
(fc)			
(fd)			
(fe)			
(ff)			
(fg)			
(fh)			
(fi)			
(fj)			
(fk)			
(fl)			
(fm)			
(fn)			
(fo)			
(fp)			
(fq)			
(fr)			
(fs)			
(ft)			
(fu)			
(fv)			
(fw)			
(fx)			
(fy)			
(fz)			
(ga)			
(gb)			
(gc)			
(gd)			
(ge)			
(gf)			
(gg)			
(gh)			
(gi)			
(gj)			
(gk)			
(gl)			
(gm)			
(gn)			
(go)			
(gp)			
(gq)			
(gr)			
(gs)			
(gt)			
(gu)			
(gv)			
(gw)			
(gx)			
(gy)			
(gz)			
(ha)			
(hb)			
(hc)			
(hd)			
(he)			
(hf)			
(hg)			
(hh)			
(hi)			
(hj)			
(hk)			
(hl)			
(hm)			
(hn)			
(ho)			
(hp)			
(hq)			
(hr)			
(hs)			
(ht)			
(hu)			
(hv)			
(hw)			
(hx)			
(hy)			
(hz)			
(ia)			
(ib)			
(ic)			
(id)			
(ie)			
(if)			
(ig)			
(ih)			
(ii)			
(ij)			
(ik)			
(il)			
(im)			
(in)			
(io)			
(ip)			
(iq)			
(ir)			
(is)			
(it)			
(iu)			
(iv)			
(iw)			
(ix)			
(iy)			
(iz)			
(ja)			
(jb)			
(jc)			
(jd)			
(je)			
(jf)			
(jg)			
(jh)			
(ji)			
(jj)			
(jk)			
(jl)			
(jm)			
(jn)			
(jo)			
(jp)			
(jq)			
(jr)			
(js)			
(jt)			
(ju)			
(jv)			
(jw)			
(jx)			
(jy)			
(jz)			
(ka)			
(kb)			
(kc)			
(kd)			
(ke)			
(kf)			
(kg)			
(kh)			
(ki)			
(kj)			
(kk)			
(kl)			
(km)			
(kn)			
(ko)			
(kp)			
(kq)			
(kr)			
(ks)			
(kt)			
(ku)			
(kv)			
(kw)			
(kx)			
(ky)			
(kz)			
(la)			
(lb)			
(lc)			
(ld)			
(le)			
(lf)			
(lg)			
(lh)			
(li)			
(lj)			
(lk)			
(ll)			
(lm)			
(ln)			
(lo)			
(lp)			
(lq)			
(lr)			
(ls)			
(lt)			
(lu)			
(lv)			
(lw)			
(lx)			
(ly)			
(lz)			
(ma)			
(mb)			
(mc)			
(md)			
(me)			
(mf)			
(mg)			
(mh)			
(mi)			
(mj)			
(mk)			
(ml)			
(mm)			
(mn)			
(mo)			
(mp)			
(mq)			
(mr)			
(ms)			
(mt)			
(mu)			
(mv)			
(mw)			
(mx)			
(my)			
(mz)			
(na)			
(nb)			
(nc)			
(nd)			
(ne)			
(nf)			
(ng)			
(nh)			
(ni)			
(nj)			
(nk)			
(nl)			
(nm)			
(nn)			
(no)			
(np)			
(nq)			
(nr)			
(ns)			
(nt)</			