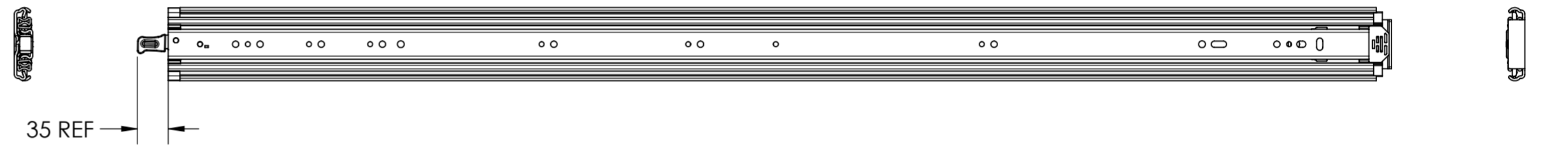
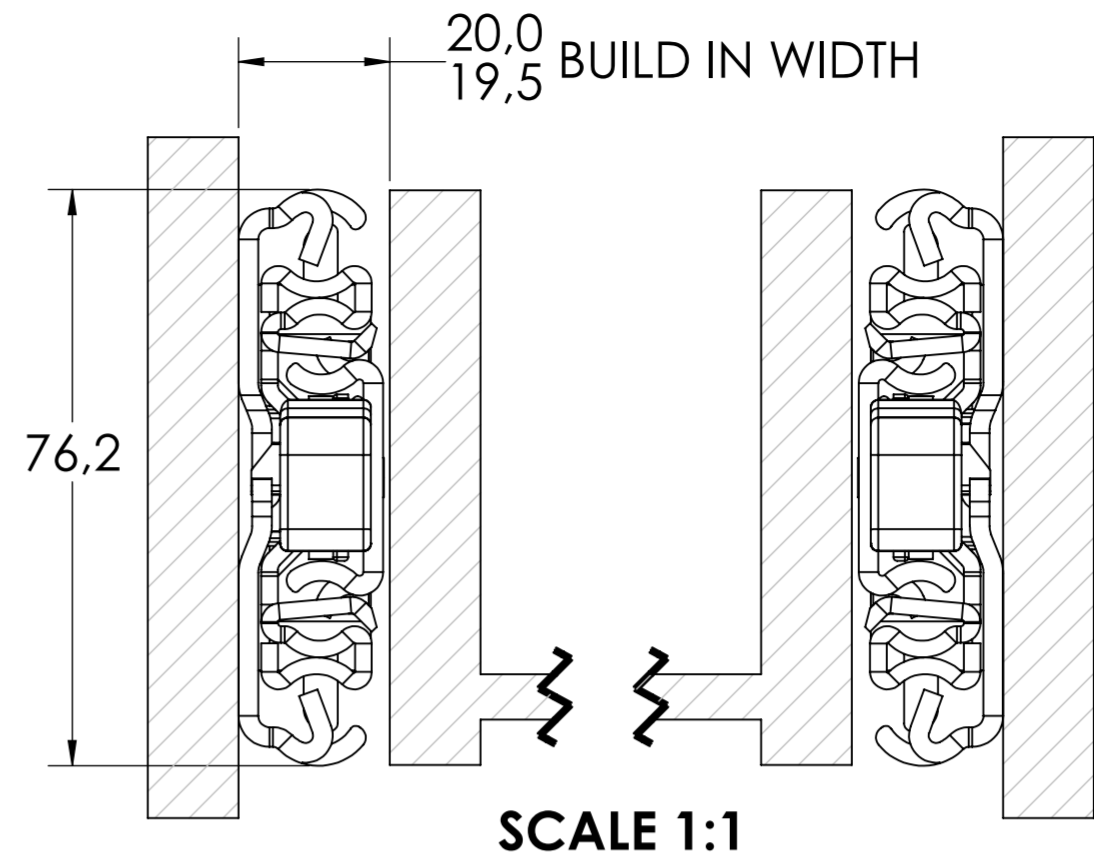
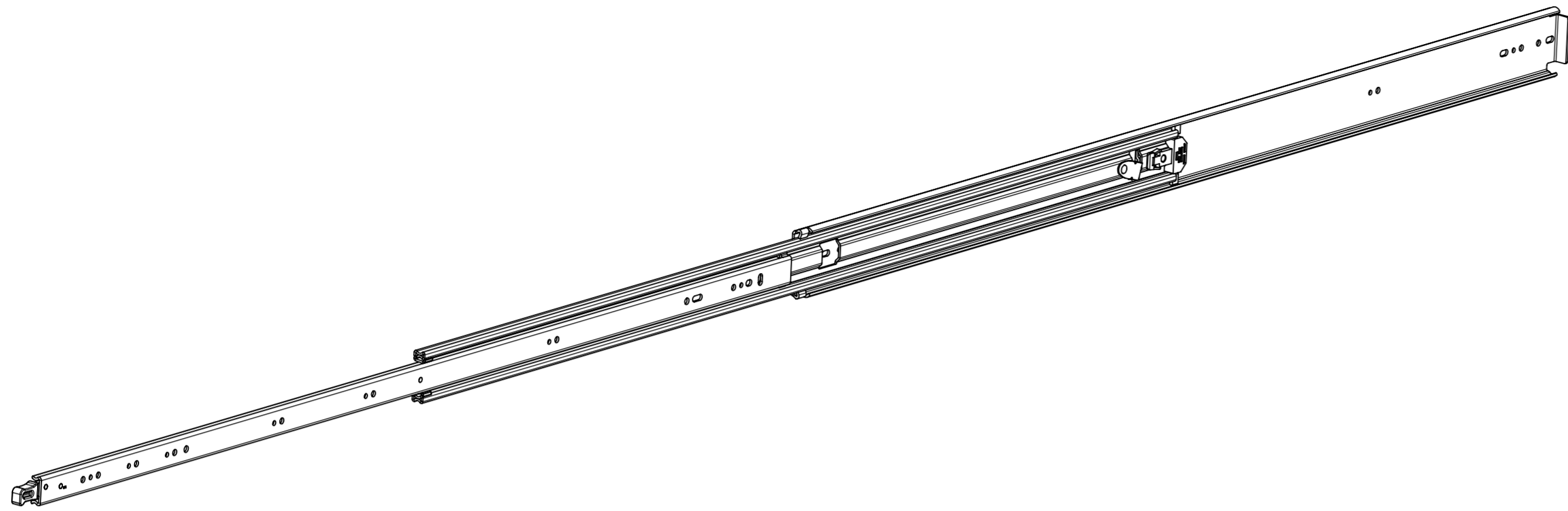
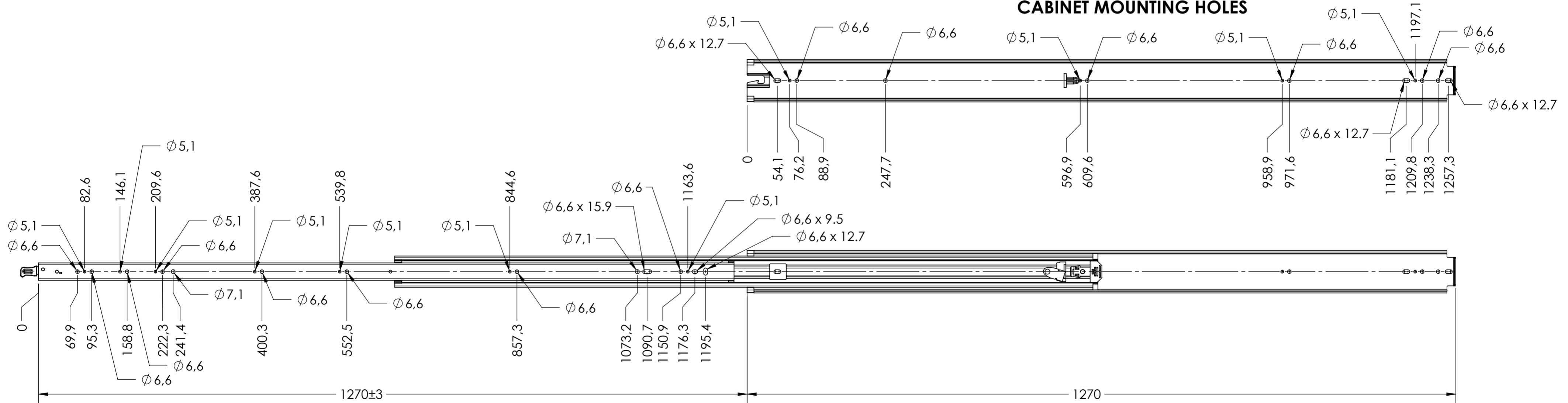


5400.50-GA.T009

X



CABINET MOUNTING HOLES



RECOMMENDED HARDWARE:
 CABINET- M6 OR 1/4 BUTTON HEAD SCREWS
 DRAWER- M6 OR 1/4 BUTTON HEAD SCREWS

general tolerances				DIN ISO 128-30			
ISO 2768-m				missing dimensions see 3D = theor. intersection			
This drawing remains our property and may not be multiplied neither be disclosed to third parties (§§1,3 and 5 from the copyright Act (UrhG)) covered according to DIN ISO 16016							
scale:		1:5		surface:		material: semi finished parts: STEEL (technical requirements Fulterer)	
drawn		18-03-2018		name:		description:	
proven		00-00-0000		00		FULL EXTENSION SIDE MOUNT HEAVY DUTY LOCK-IN/LOCK OUT NON-DISCONNECT SLIDE	
drawing number:				drawing number:			
5400.50-GA.T009				5400.50-GA.T009			
replaces version date:				replaces version date:			
UPDATE TITLE BLOCK		19-03-2019		HB		Fulterer AG & Co KG A-6890 Lustenau / Austria Fulterer AG CH-9430 St. Margrethen	
ind. changes		date		na.			