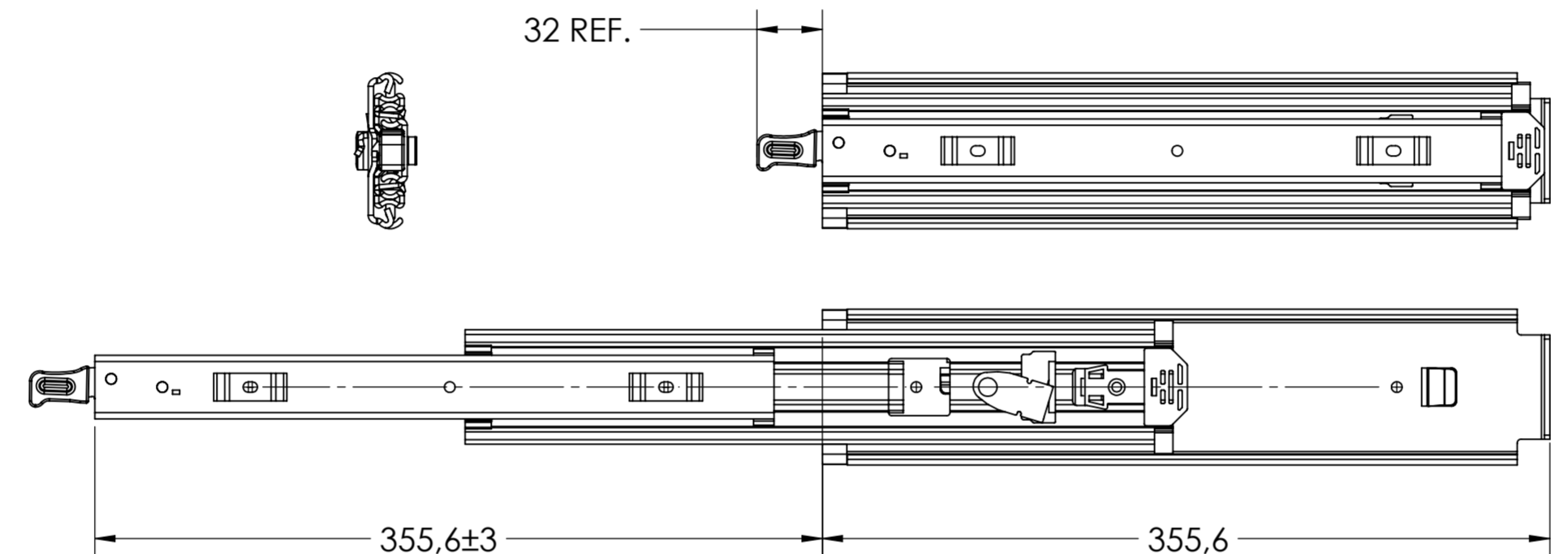
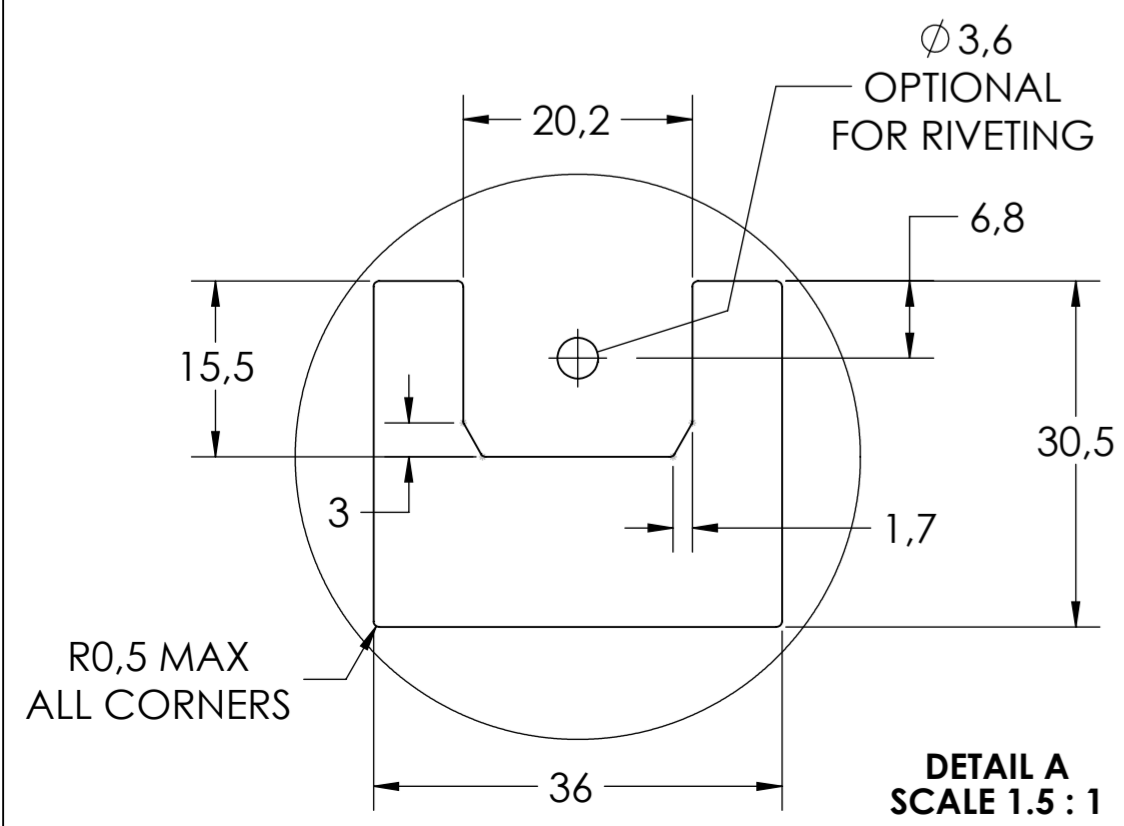
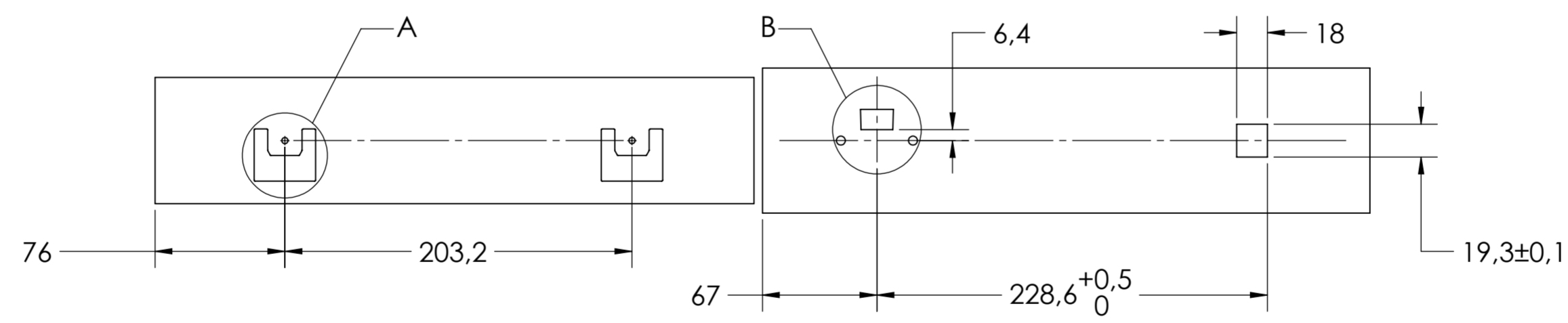


SCALE 1:1

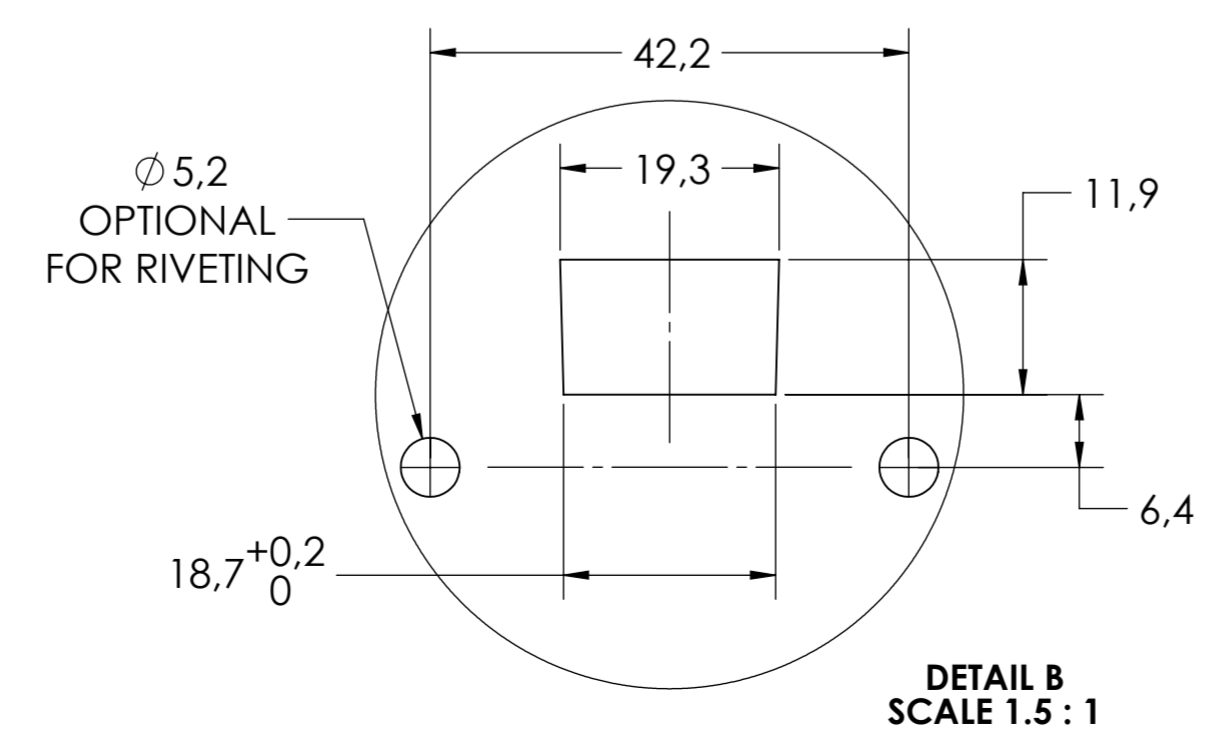


DRAWER MOUNTING CUTOUTS

CABINET MOUNTING CUTOUTS



**DETAIL A
SCALE 1.5 : 1**



**DETAIL B
SCALE 1.5 : 1**

general tolerances		DIN ISO 128-30 missing dimensions see 3D = theor. intersection	
ISO 2768-m			
This drawing remains our property and may not be multiplied neither be disclosed to third parties (§§1,3 and 5 from the copyright Act (UrhG)) covered according to DIN ISO 16016			
(k)	scale:	1:3	surface:
(l)	date:	24-07-2019	name:
(m)	drawn:	HB	
(n)	proven:	00-00-0000	00
(o)	Fulterer		material, semi finished parts:
(p)			STEEL
(q)			(technical requirements Fulterer)
(r)			description:
(s)			SIDE MOUNT FULL EXTENSION
(t)			SMT (1.9) LOCK-IN/LOCK-OUT
(u)			NON-DISCONNECT SLIDE
(v)			drawing number:
(w)			5400.14-GA.T118
(x)			replaces version date:
(y)	ind. changes	date	na.
(z)			