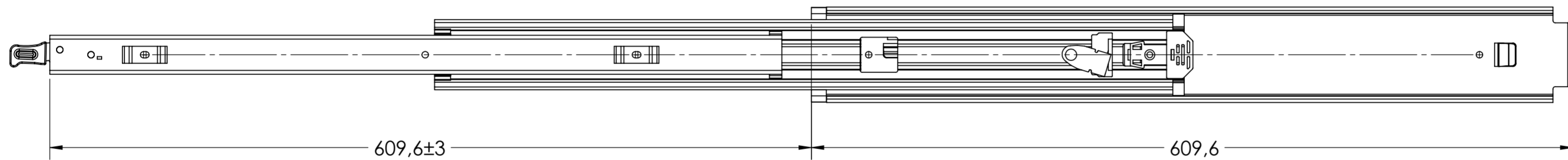
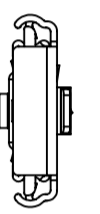
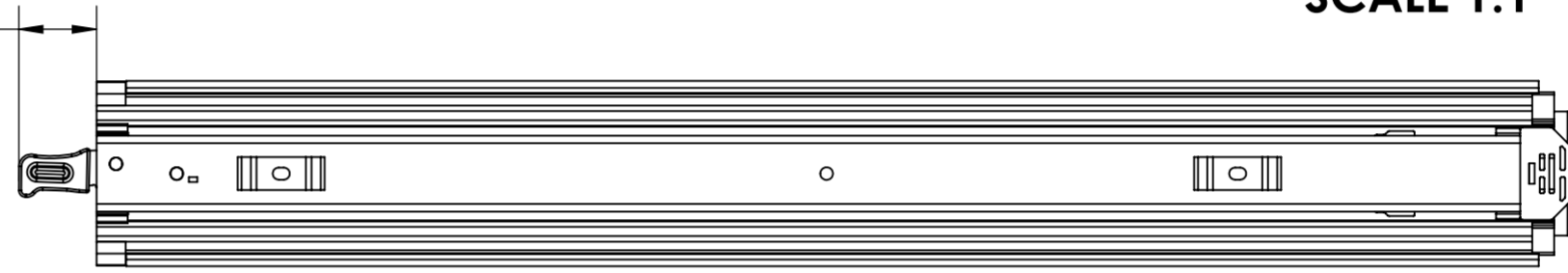
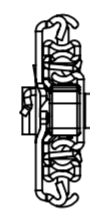


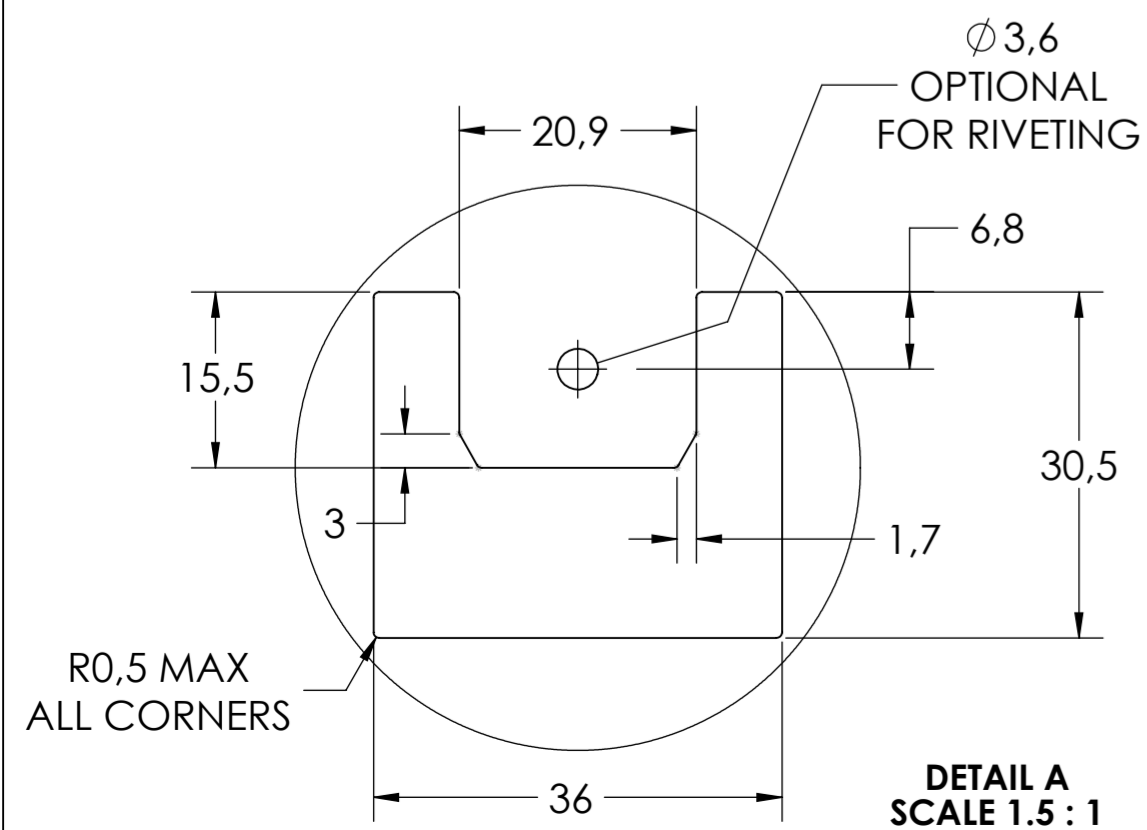
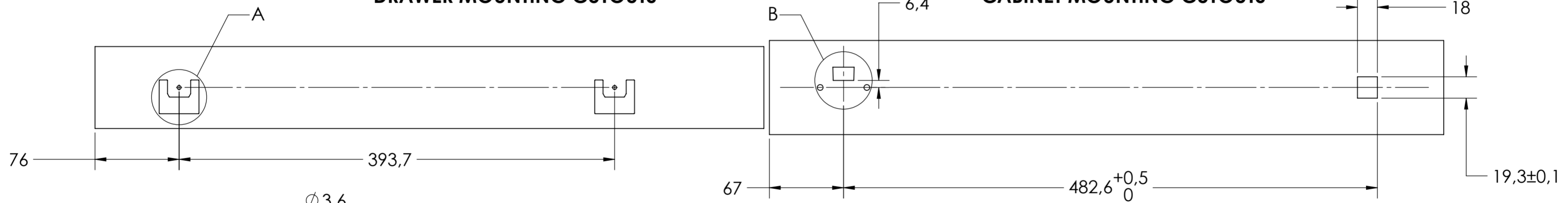
SCALE 1:1

32 REF.

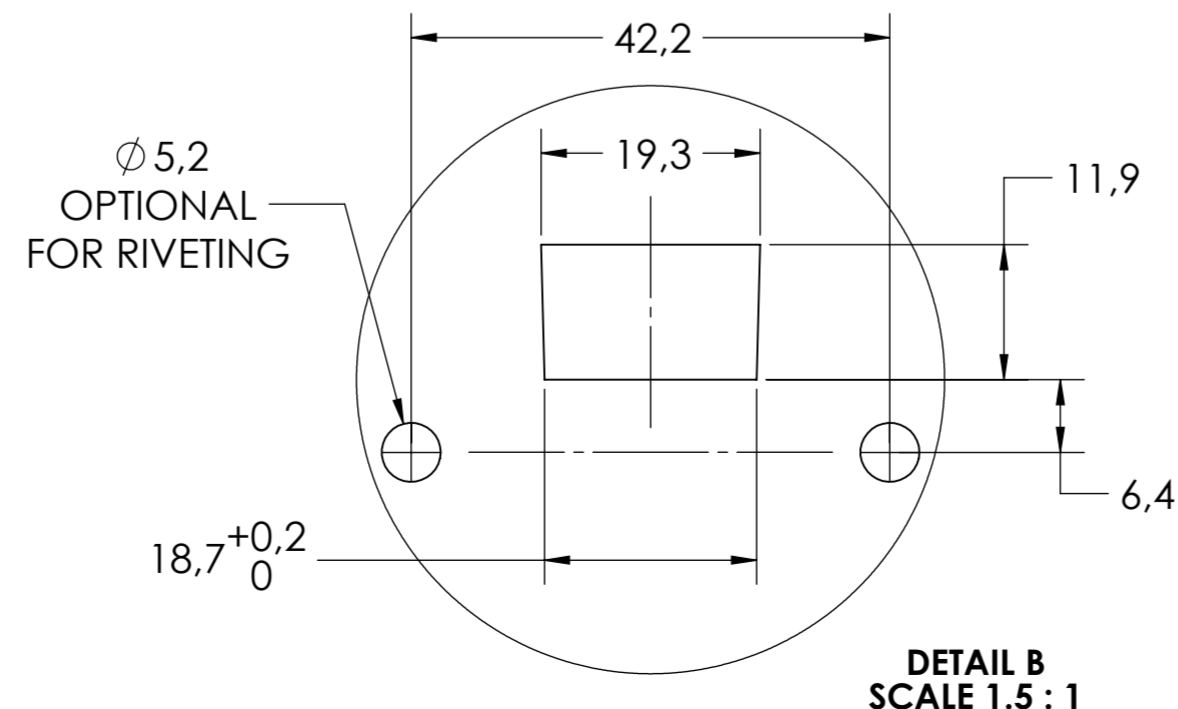


DRAWER MOUNTING CUTOUTS

CABINET MOUNTING CUTOUTS



DETAIL A  
SCALE 1.5 : 1



DETAIL B  
SCALE 1.5 : 1

general tolerances		DIN ISO 128-30 missing dimensions see 3D = theor. intersection	
ISO 2768-m			
This drawing remains our property and may not be multiplied neither be disclosed to third parties (§§1,3 and 5 from the copyright Act (UrhG)) covered according to DIN ISO 16016			
scale: 1:3		surface: A2	
date: 30-07-2019		name: HB	
drawn: 00-00-0000		proven: 00	
		material, semi finished parts: <b>STEEL</b> (technical requirements Fulterer)	
drawing number: <b>5400.24-GA.T117</b>		description: SIDE MOUNT FULL EXTENSION SMT (1.5) LOCK-IN/LOCK-OUT NON-DISCONNECT SLIDE	
drawing number: <b>5400.24-GA.T117</b>		replaces version date:	
ind.	changes	date	na.