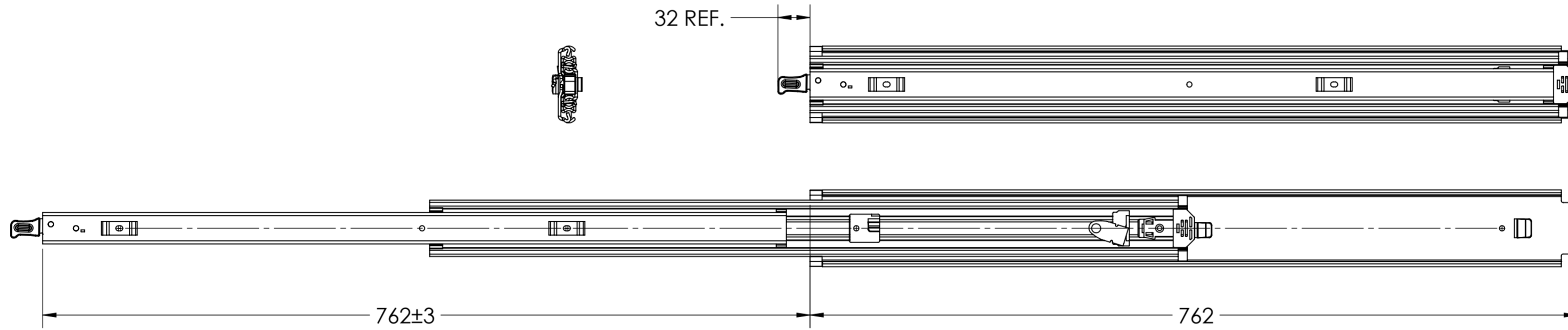


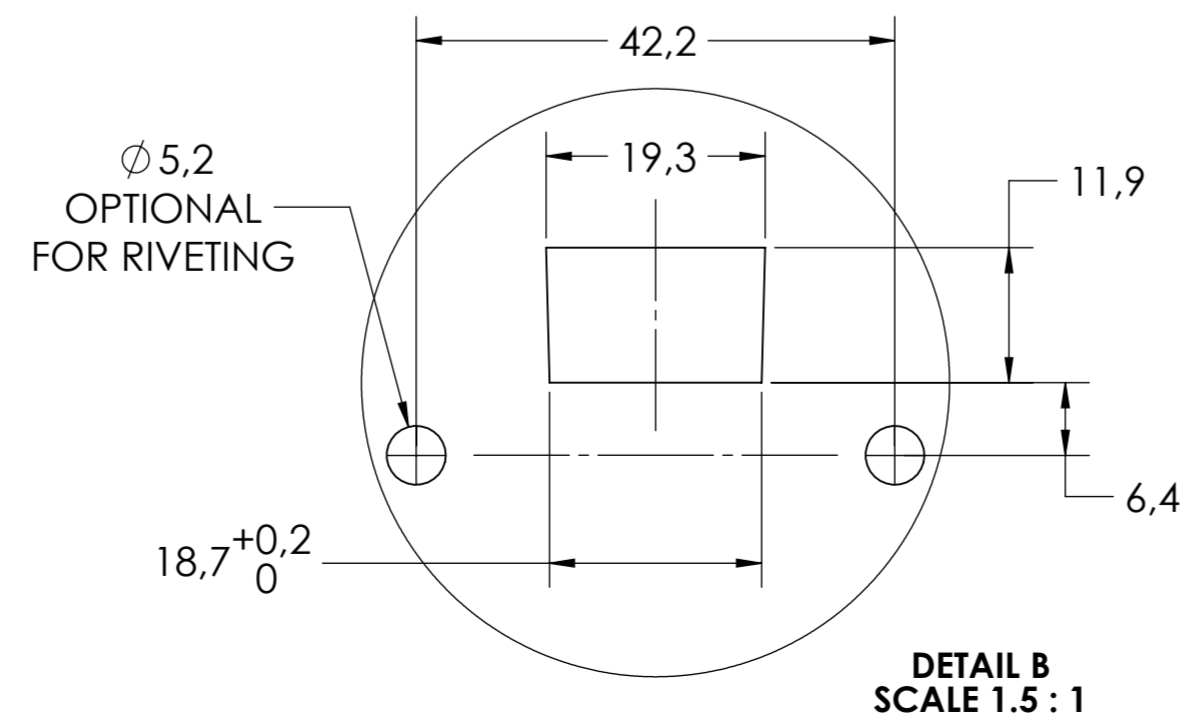
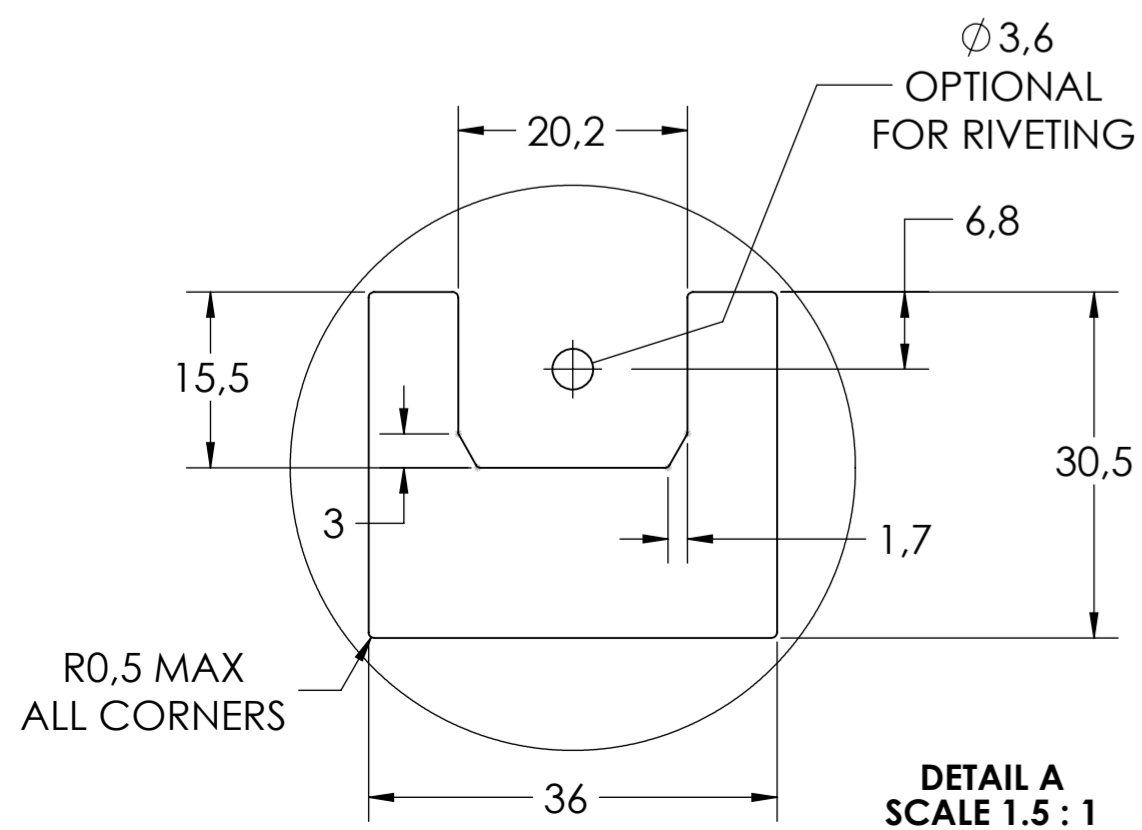
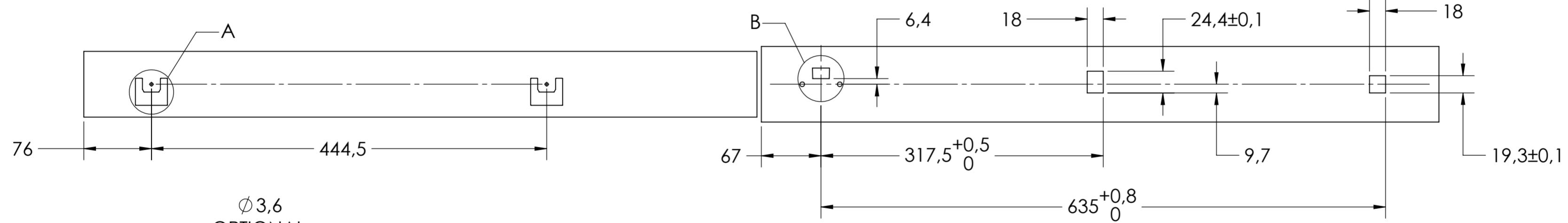
SCALE 1:1

32 REF.



DRAWER MOUNTING CUTOUTS

CABINET MOUNTING CUTOUTS



general tolerances		DIN ISO 128-30 missing dimensions see 3D = theor. intersection	
ISO 2768-m			
This drawing remains our property and may not be multiplied neither be disclosed to third parties (§§1,3 and 5 from the copyright Act (UrhG)) covered according to DIN ISO 16016			
scale: 1:4		surface: A2	
drawn: 24-07-2019		date: HB	
proven: 00-00-0000		name: 00	
		material, semi finished parts: STEEL (technical requirements Fulterer)	
drawing number: 5400.30-GA.T118		description: SIDE MOUNT FULL EXTENSION SMT (1.9) LOCK-IN/LOCK-OUT NON-DISCONNECT SLIDE	
replaces version date:		drawing number: 5400.30-GA.T118	
ind.	changes	date	na.