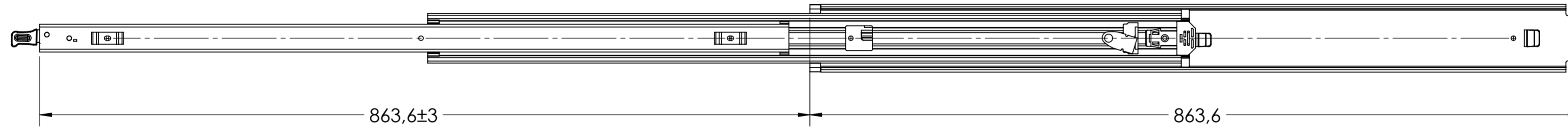
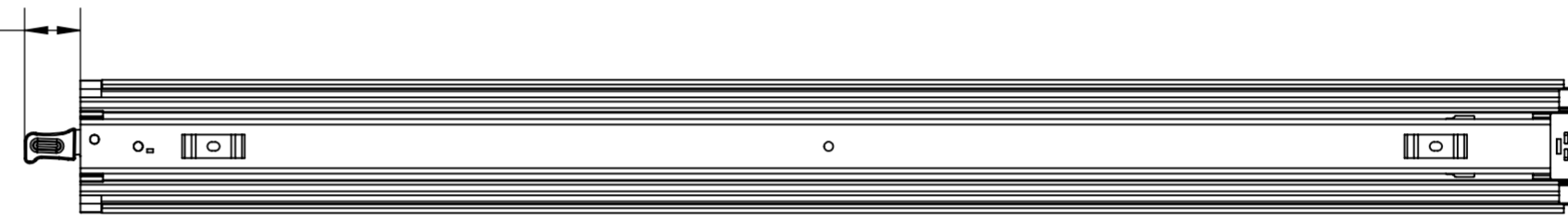


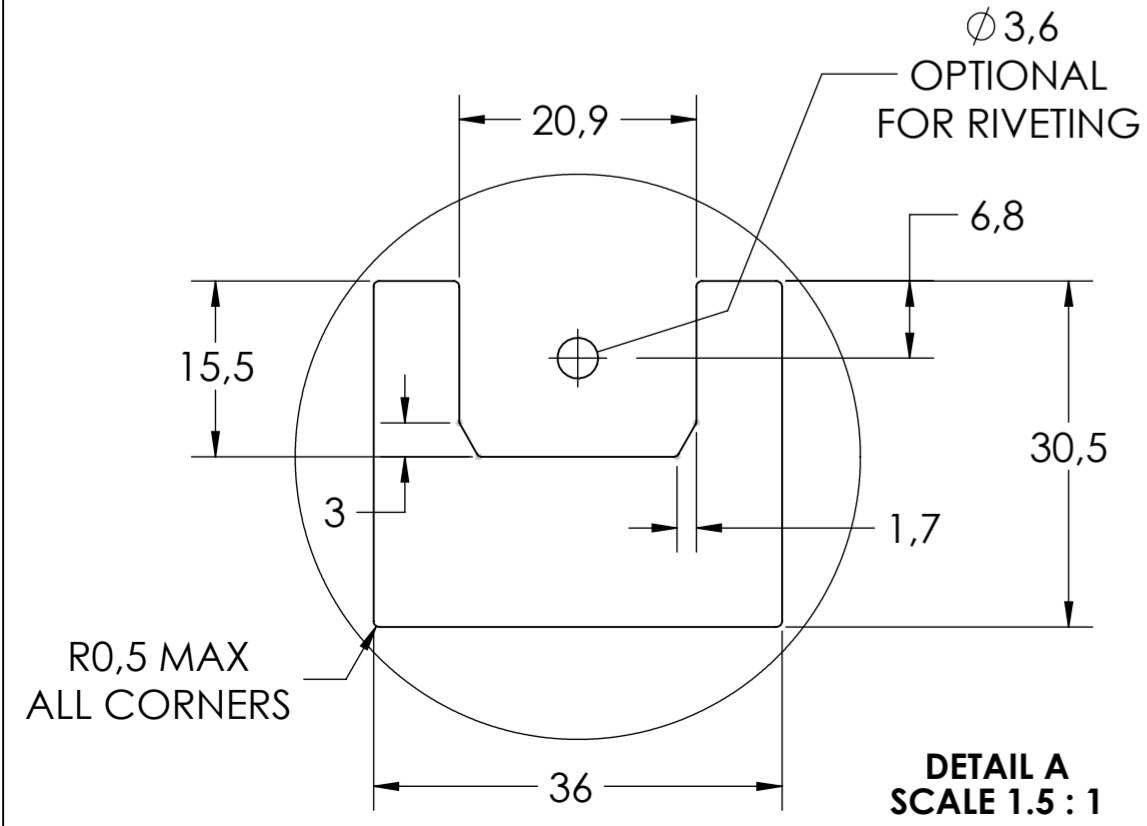
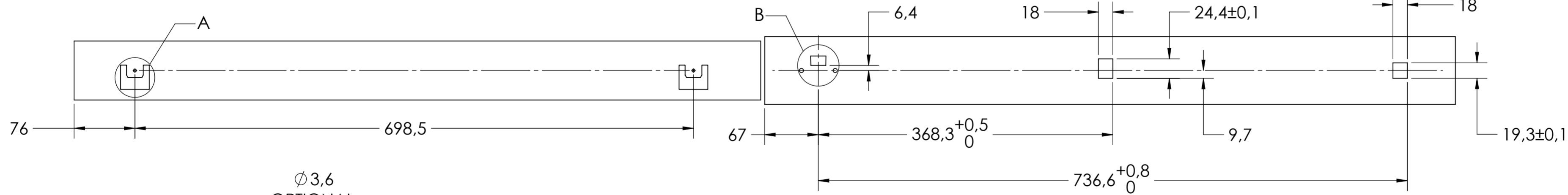
SCALE 1:1

32 REF.

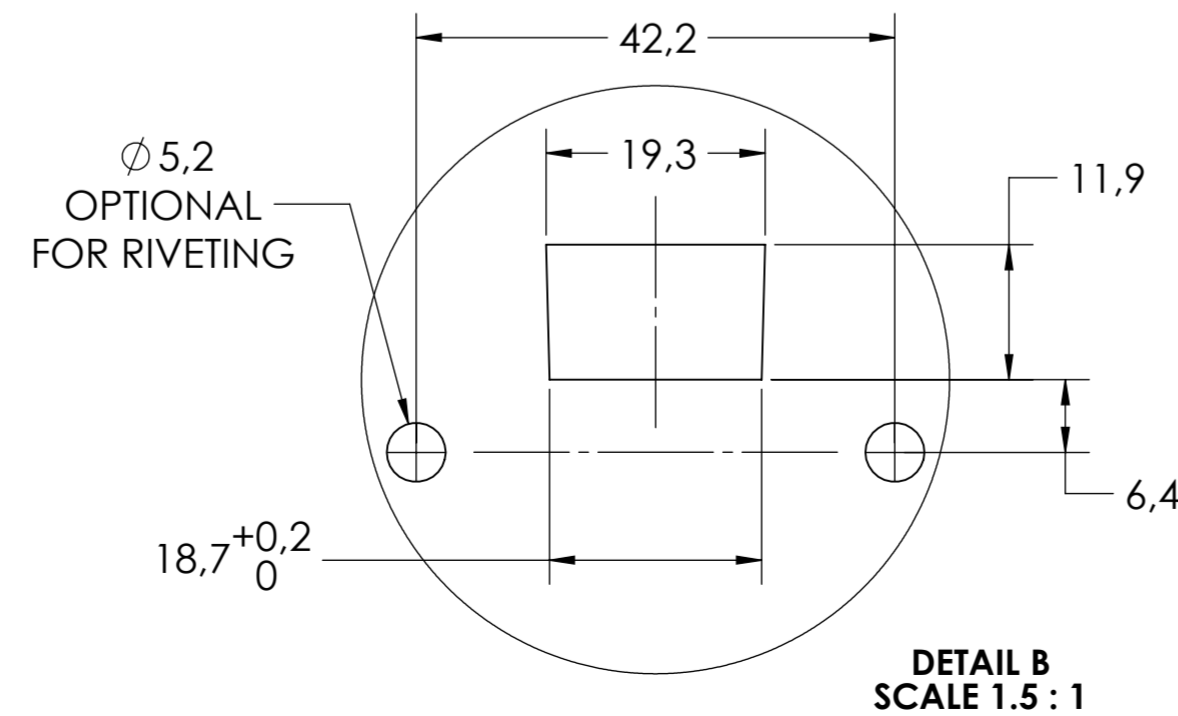


DRAWER MOUNTING CUTOUTS

CABINET MOUNTING CUTOUTS



DETAIL A
SCALE 1.5 : 1



DETAIL B
SCALE 1.5 : 1

general tolerances		DIN ISO 128-30 missing dimensions see 3D = theor. intersection	
ISO 2768-m			
This drawing remains our property and may not be multiplied neither be disclosed to third parties (§§1,3 and 5 from the copyright Act (UrhG)) covered according to DIN ISO 16016			
(k)	scale:	surface:	material, semi finished parts:
(l)	1:4		STEEL
(m)	date	name	(technical requirements Fulterer)
(n)	drawn 30-07-2019	HB	description: SIDE MOUNT FULL EXTENSION SMT (1.5) LOCK-IN/LOCK-OUT NON-DISCONNECT SLIDE
(o)	proven 00-00-0000	00	
(p)	Fulterer		drawing number: 5400.34-GA.T117
(q)	Fulterer AG & Co KG A-6890 Lustenau / Austria		
(r)	Fulterer AG CH-9430 St. Margrethen		replaces version date:
(s)	changes	date	na.
(t)	0	00-00-0000	0