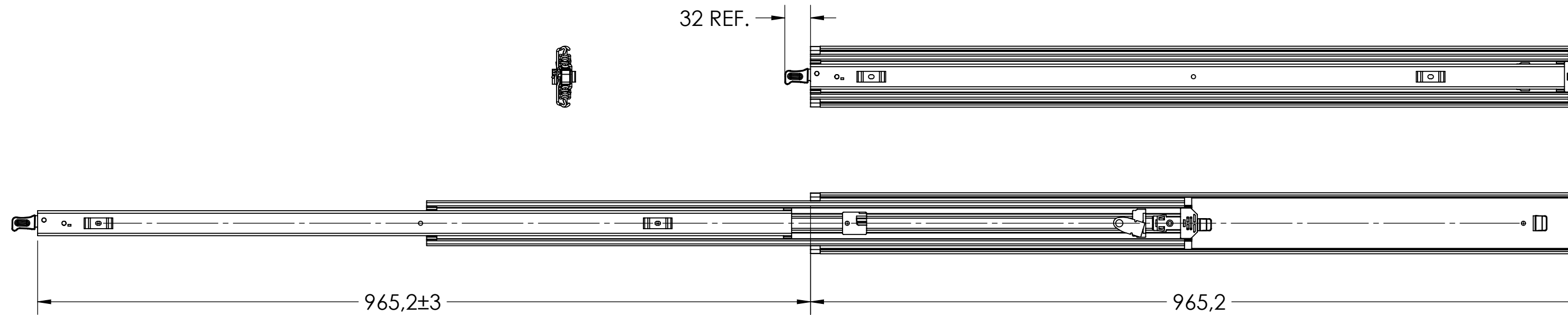


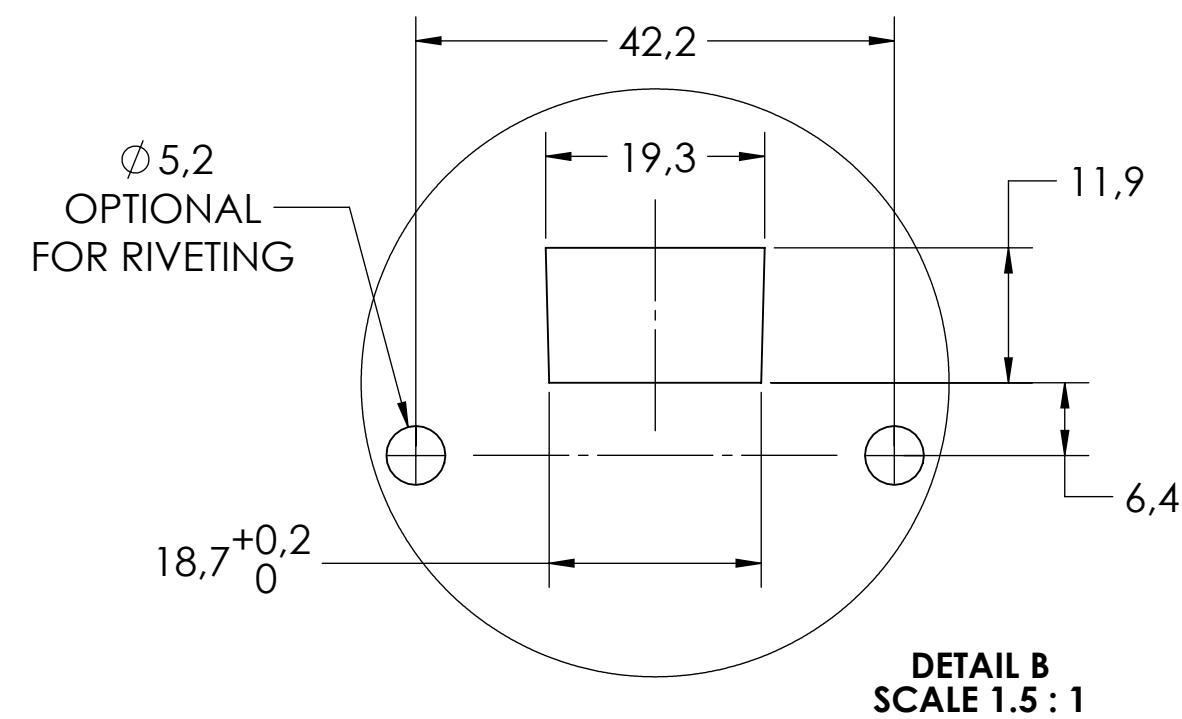
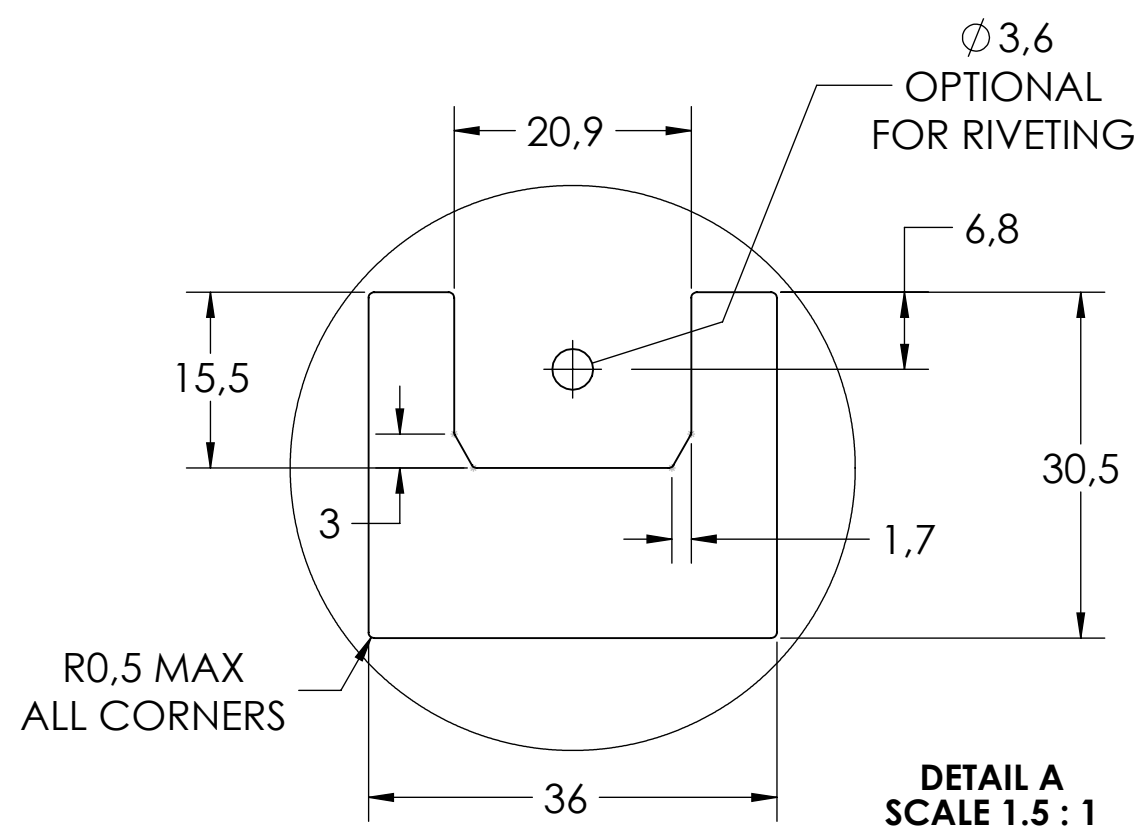
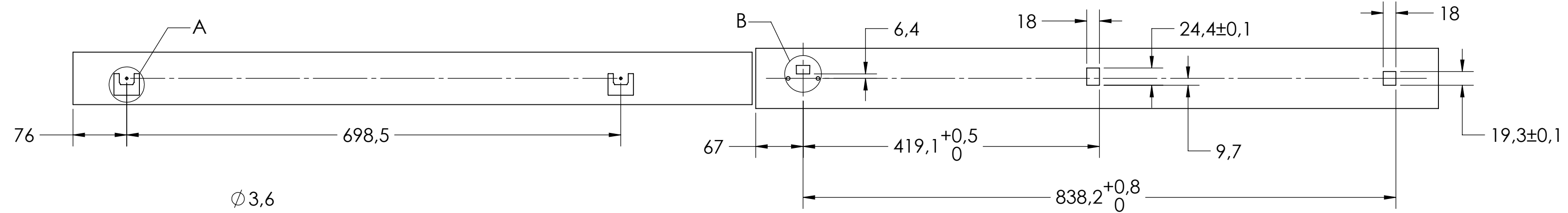
SCALE 1:1

32 REF.



**DRAWER MOUNTING CUTOUTS**

**CABINET MOUNTING CUTOUTS**



general tolerances		DIN ISO 128-30 missing dimensions see 3D = theor. intersection	
ISO 2768-m			
This drawing remains our property and may not be multiplied neither be disclosed to third parties (§§1,3 and 5 from the copyright Act (UrhG)) covered according to DIN ISO 16016			
(k)	scale:	surface:	material, semi finished parts:
(l)	1:5		STEEL
(m)	date	name	(technical requirements Fulterer)
(n)	drawn 30-07-2019	HB	description: SIDE MOUNT FULL EXTENSION SMT (1.5) LOCK-IN/LOCK-OUT NON-DISCONNECT SLIDE
(o)	proven 00-00-0000	00	
(p)	<b>Fulterer</b>		drawing number: <b>5400.38-GA.T117</b>
(q)			
(r)	Fulterer AG CH-9430 St. Margrethen		replaces version date:
(s)	0	00-00-0000	0
(t)	changes	date	na.