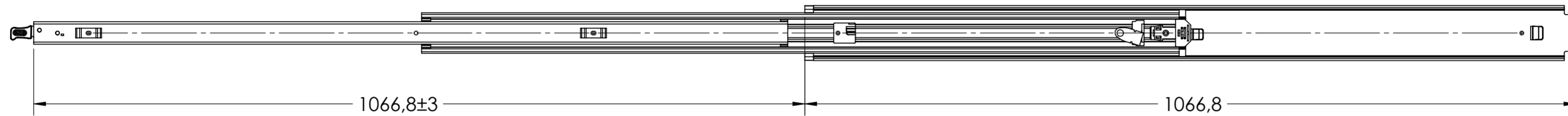
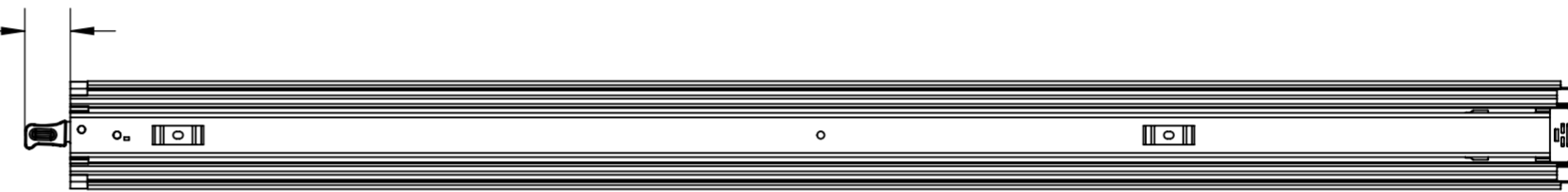


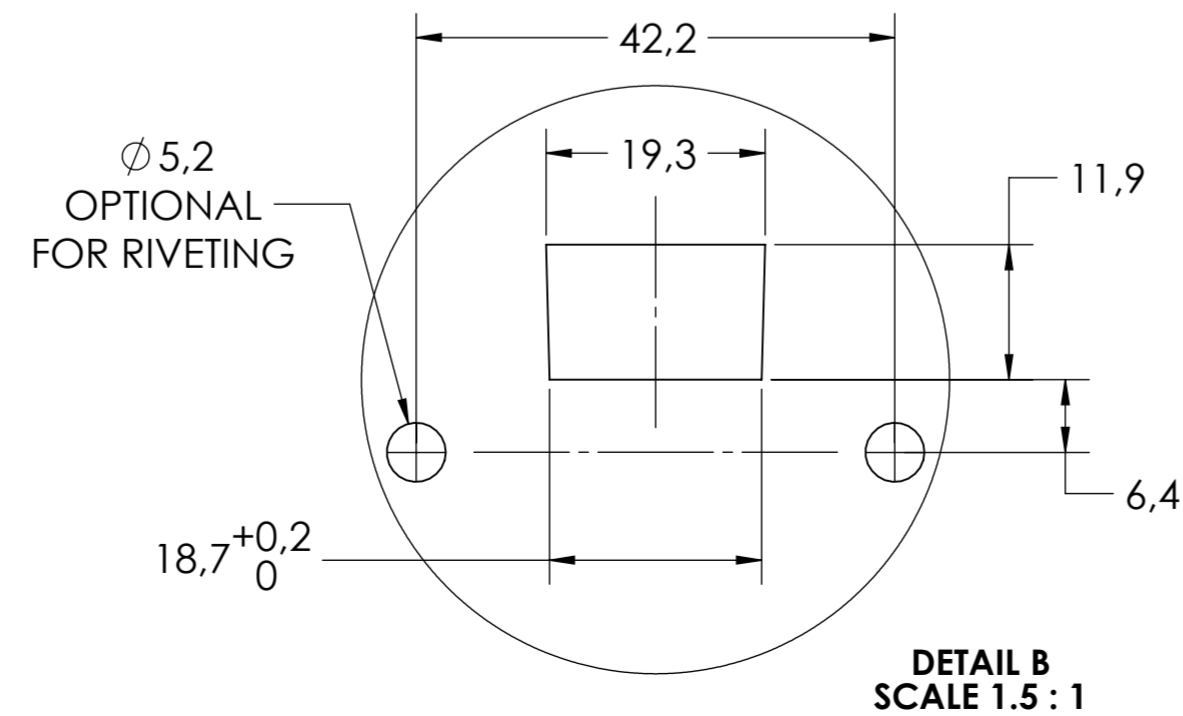
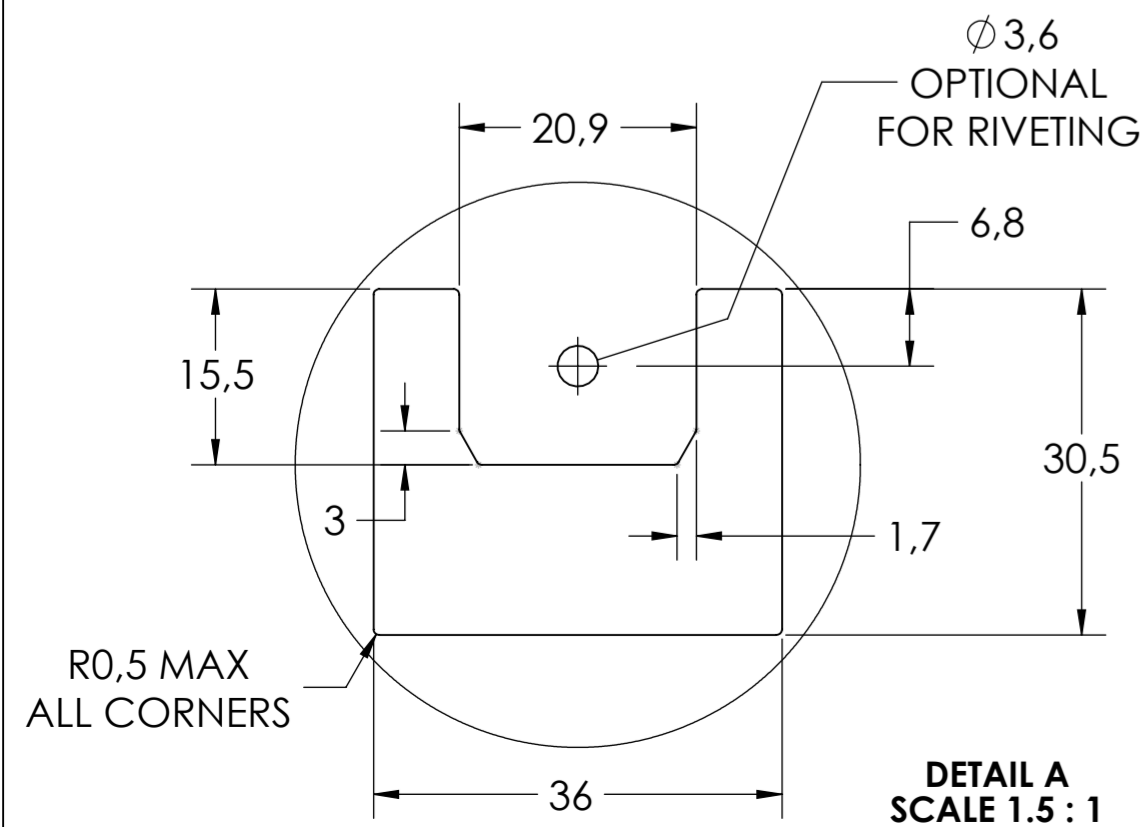
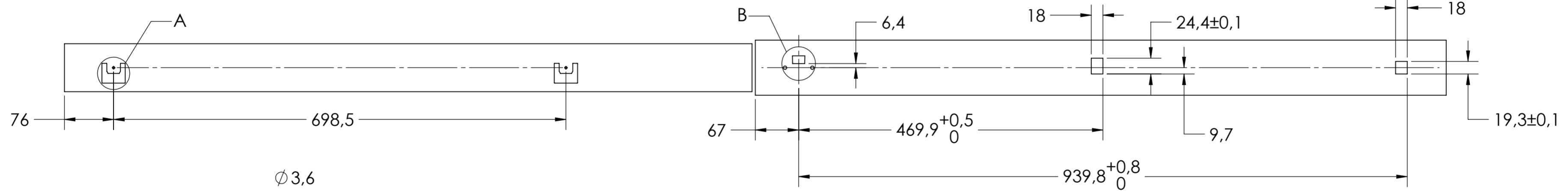
SCALE 1:1

32 REF.



DRAWER MOUNTING CUTOUTS

CABINET MOUNTING CUTOUTS



general tolerances		DIN ISO 128-30 missing dimensions see 3D = theor. intersection	
ISO 2768-m			
This drawing remains our property and may not be multiplied neither be disclosed to third parties (§§1,3 and 5 from the copyright Act (UrhG)) covered according to DIN ISO 16016			
(k)		scale:	material, semi finished parts:
(l)		1:5	STEEL
(m)		surface:	(technical requirements Fulterer)
(n)		date	description:
(o)		drawn 30-07-2019	SIDE MOUNT FULL EXTENSION
(p)		proven 00-00-0000	SMT (1.5) LOCK-IN/LOCK-OUT
(q)			NON-DISCONNECT SLIDE
(r)			drawing number:
(s)			5400.42-GA.T117
(t)			replaces version date:
(u)			
(v)			
(w)			
(x)			
(y)			
(z)			
ind.	changes	date	na.