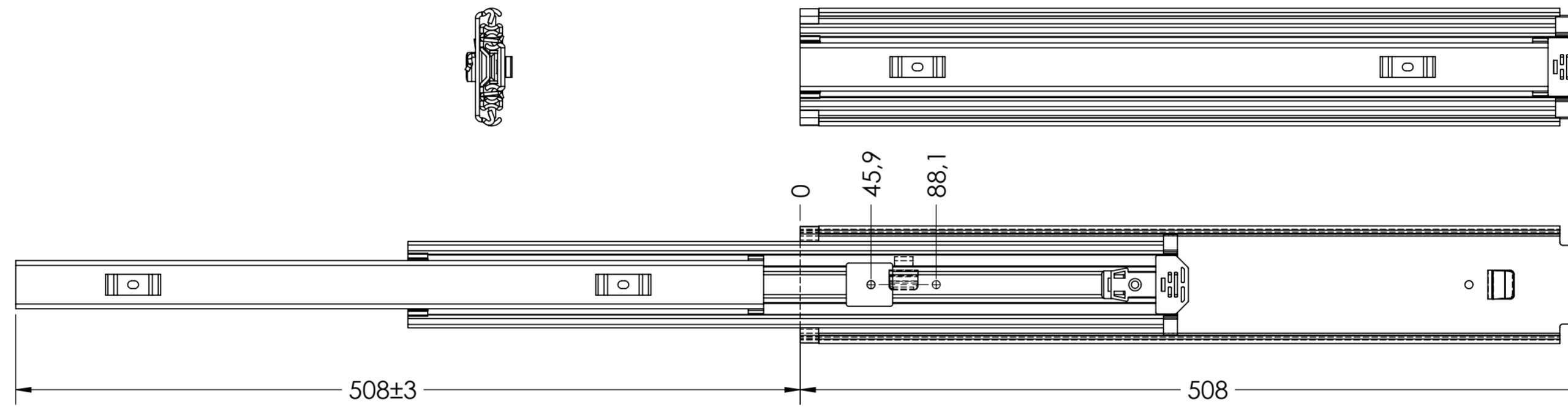
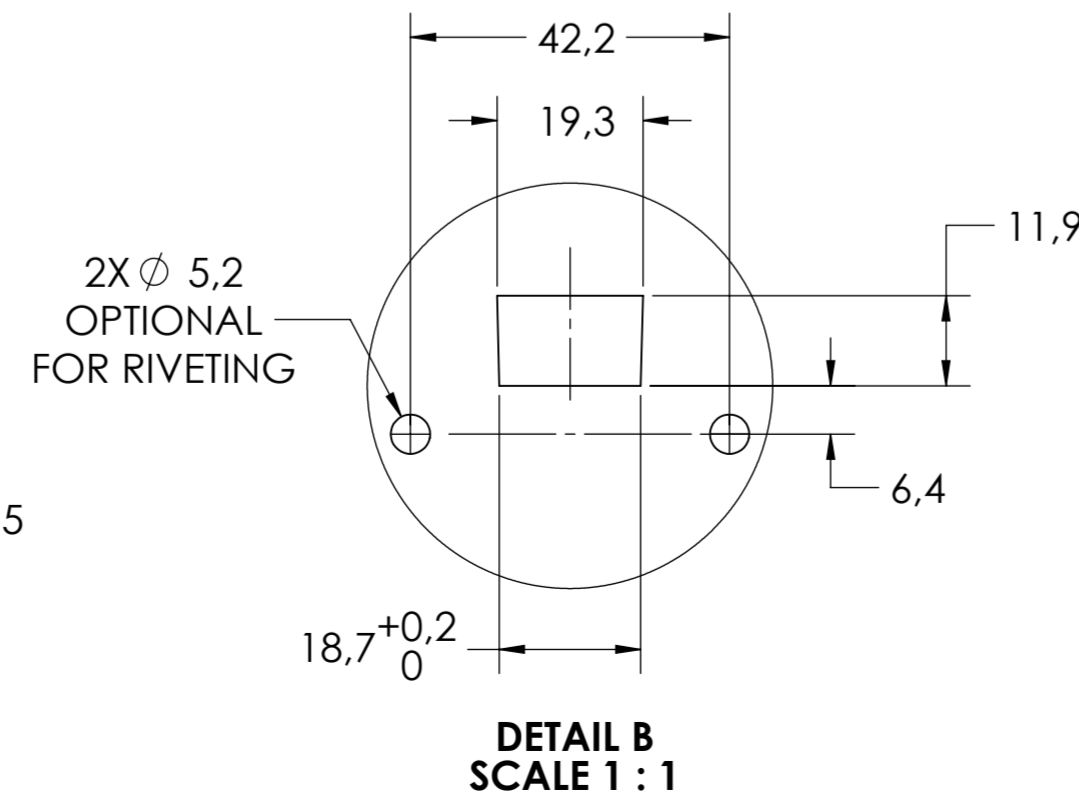
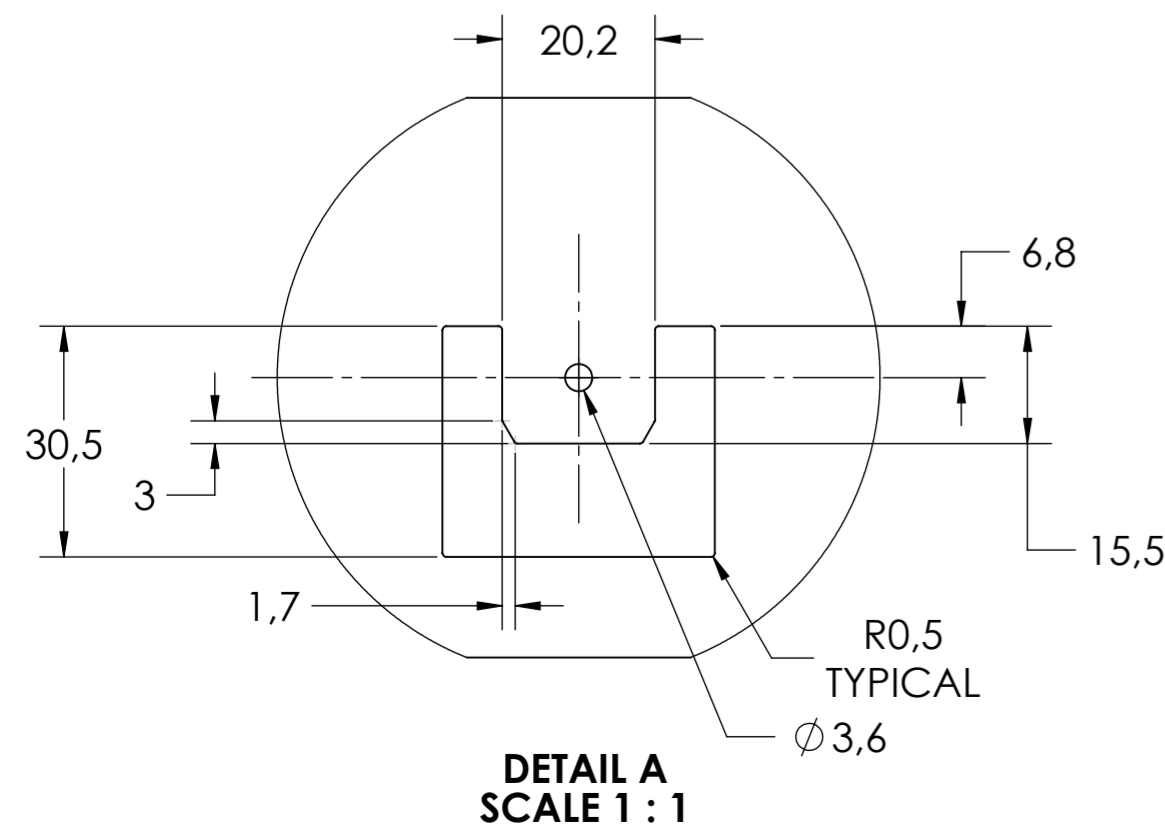
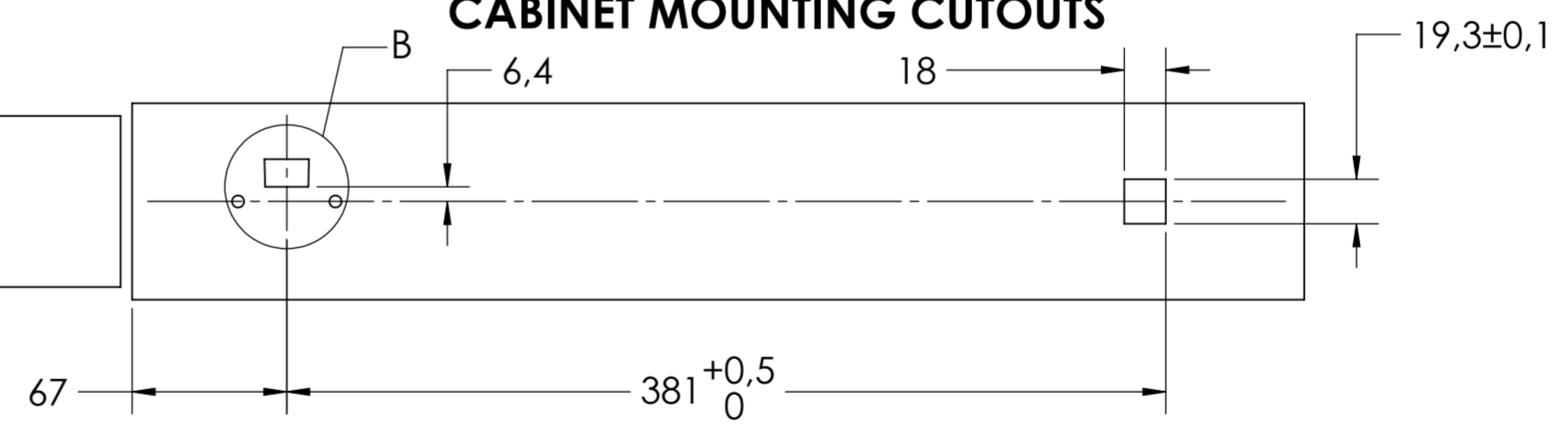
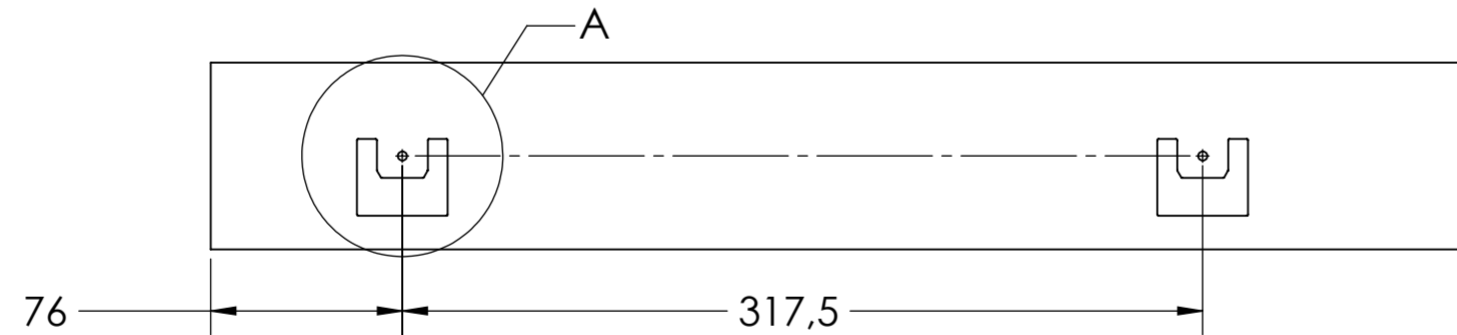


SCALE 1:1



DRAWER MOUNTING CUTOUTS

CABINET MOUNTING CUTOUTS



general tolerances		DIN ISO 128-30 missing dimensions see 3D = theor. intersection	
ISO 2768-m			
This drawing remains our property and may not be multiplied neither be disclosed to third parties (§§1,3 and 5 from the copyright Act (UrhG)) covered according to DIN ISO 16016			
(k)		scale:	surface:
(l)		1:3	
(m)		date	name
(n)		drawn 31-05-2019	HB
(o)		proven 00-00-0000	00
(p)		Fulterer	
(q)			
(r)		material, semi finished parts: STEEL (technical requirements Fulterer)	
(s)		description: SIDE MOUNT FULL EXTENSION HD SMT SLIDE FOR 1.9mm THICK MATERIAL NON-DISCONNECT	
(t)		drawing number: 5400.20-GA.T115	
(u)		replaces version date:	
(v)		Fulterer AG & Co KG A-6890 Lustenau / Austria Fulterer AG CH-9430 St. Margrethen	
(w)	0	00-00-0000	0
(x)	ind.	changes	date na.