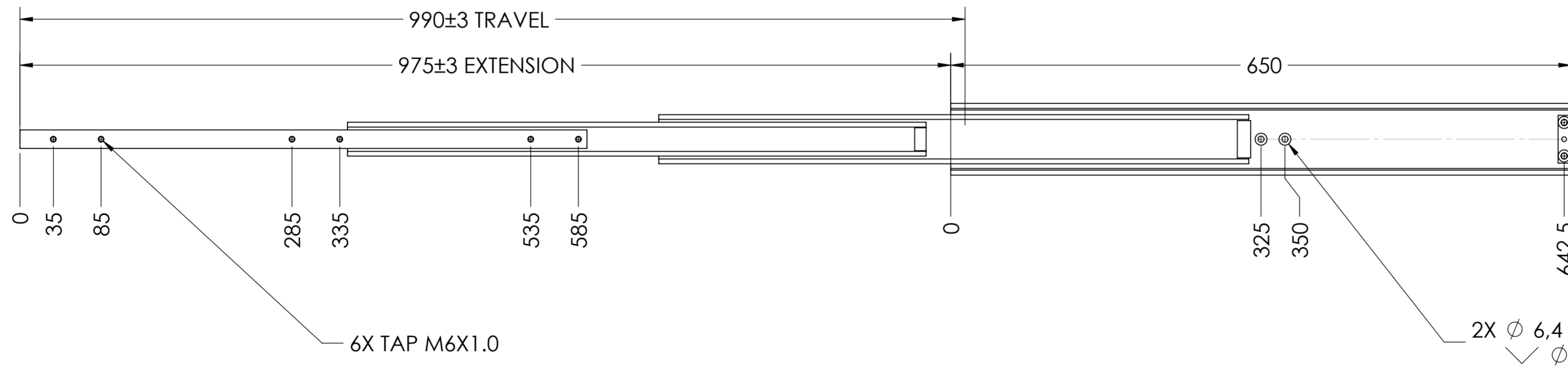
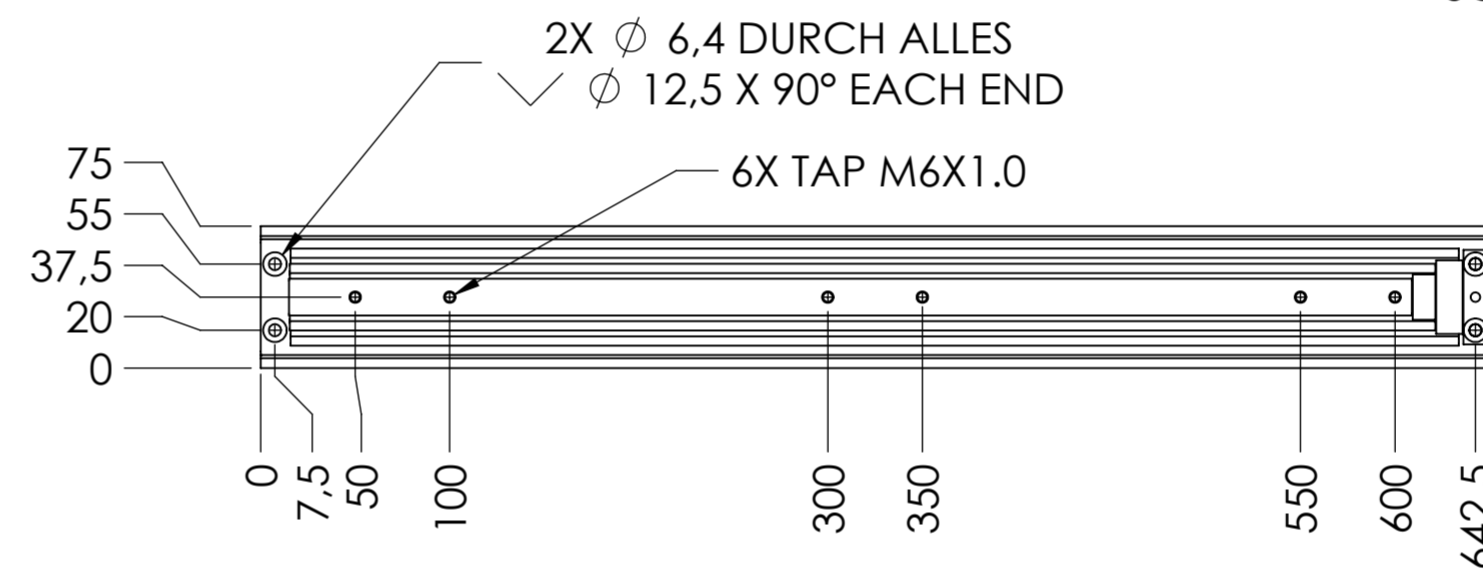


SCALE 1:1



RECOMMENDED HARDWARE:  
 CABINET- M6 FLAT HEAD SCREWS  
 (2) REAR SCREWS ARE 12mm LONGER THAN FRONT/MIDDLE LOCATIONS  
 DRAWER- M6 x 1.0 SCREWS

general tolerances		DIN ISO 128-30 missing dimensions see 3D = theor. intersection	
ISO 2768-m			
This drawing remains our property and may not be multiplied neither be disclosed to third parties (§§1,3 and 5 from the copyright Act (UrhG)) covered according to DIN ISO 16016			
(k) (l) (i) (h) (g) (f) (e) (d) (c) (b) (a)	scale:	1:4	surface:
	date:	17-12-2018	name:
	drawn:	HB	description:
	proven:	00-00-0000	00
	ind. changes:	date:	na.
Fulterer AG & Co KG A-6890 Lustenau / Austria Fulterer AG CH-9430 St. Margrethen		material, semi finished parts: STEEL (technical requirements Fulterer) drawing number: 5432.650-GA.T093 replaces version date:	