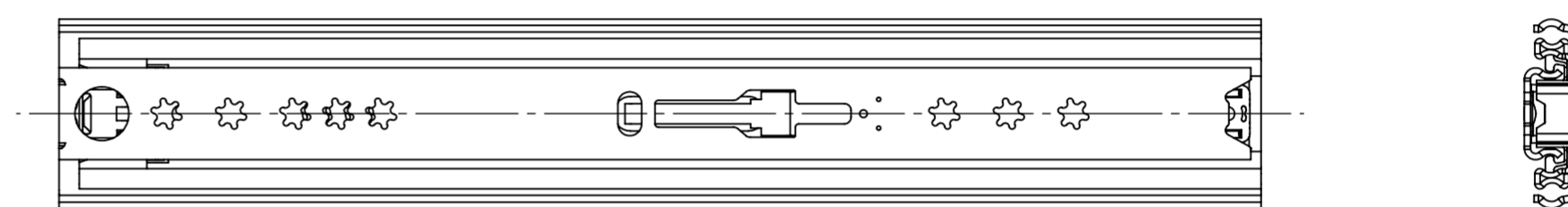
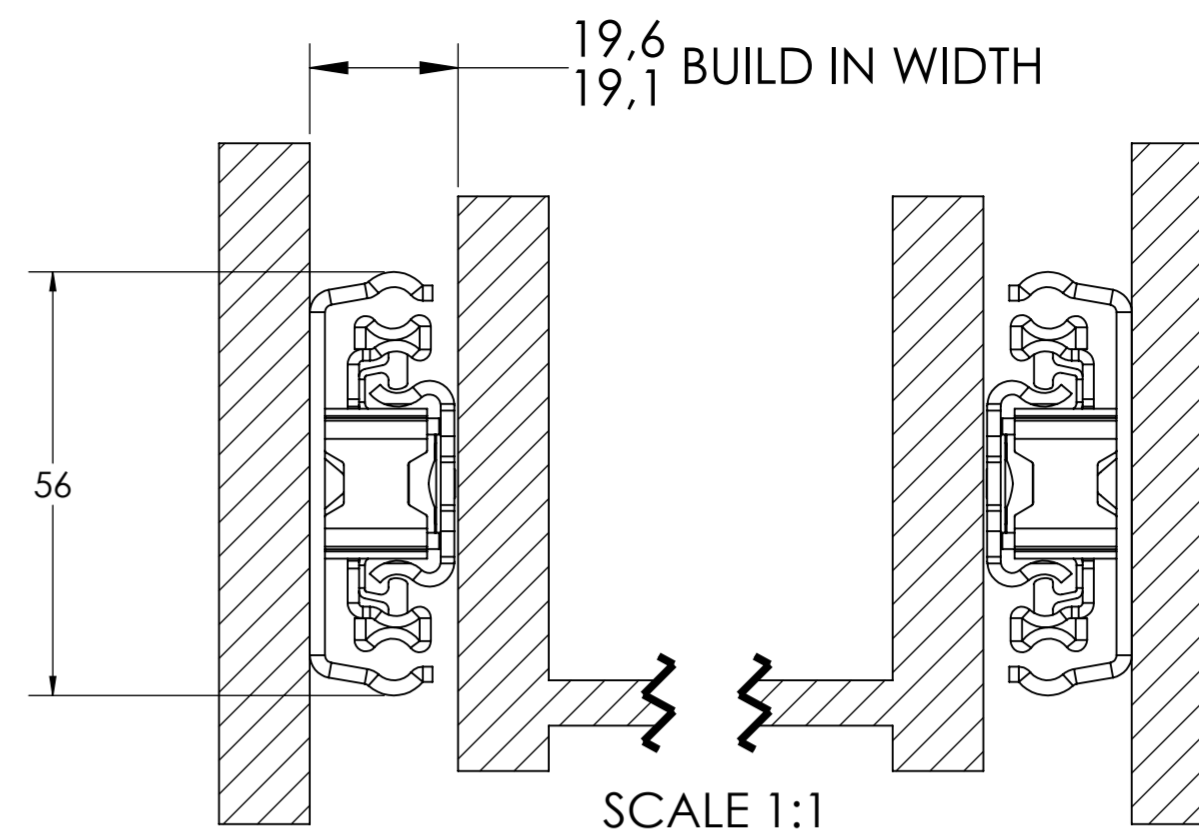
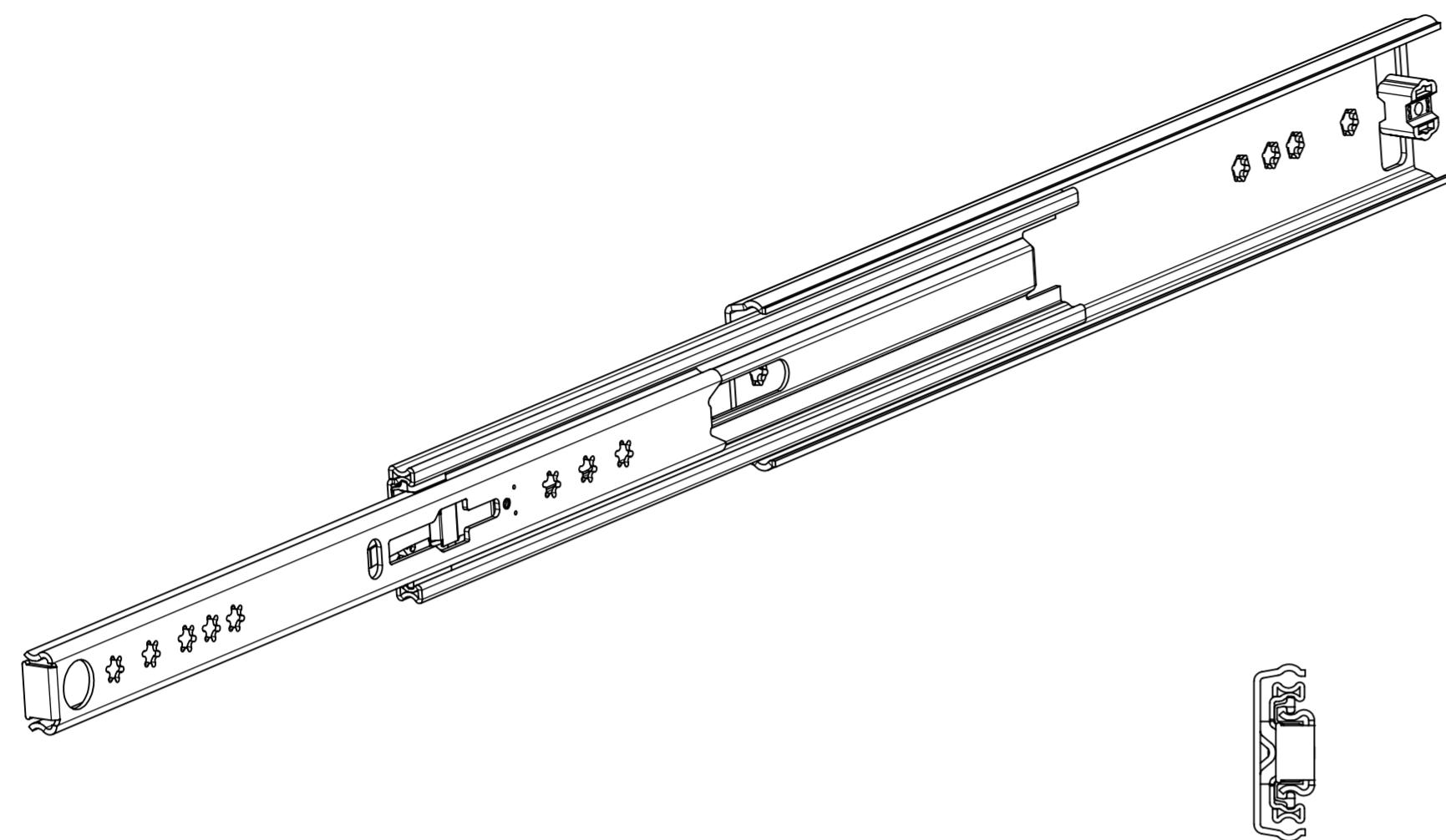
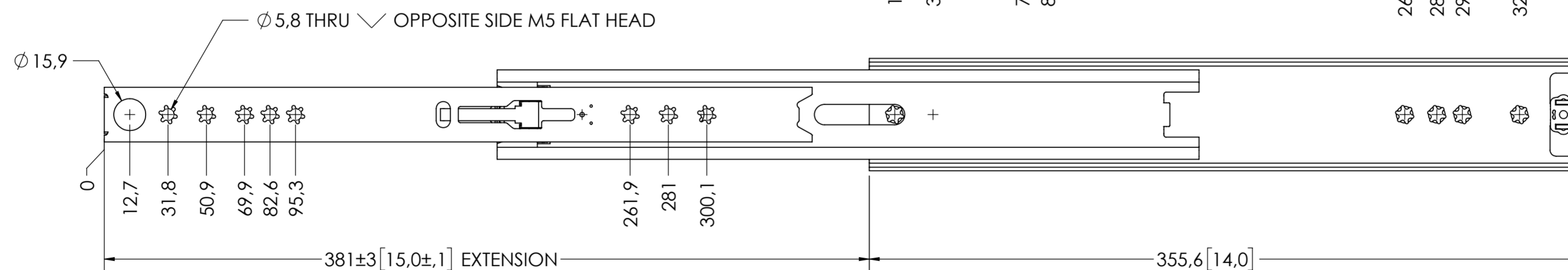
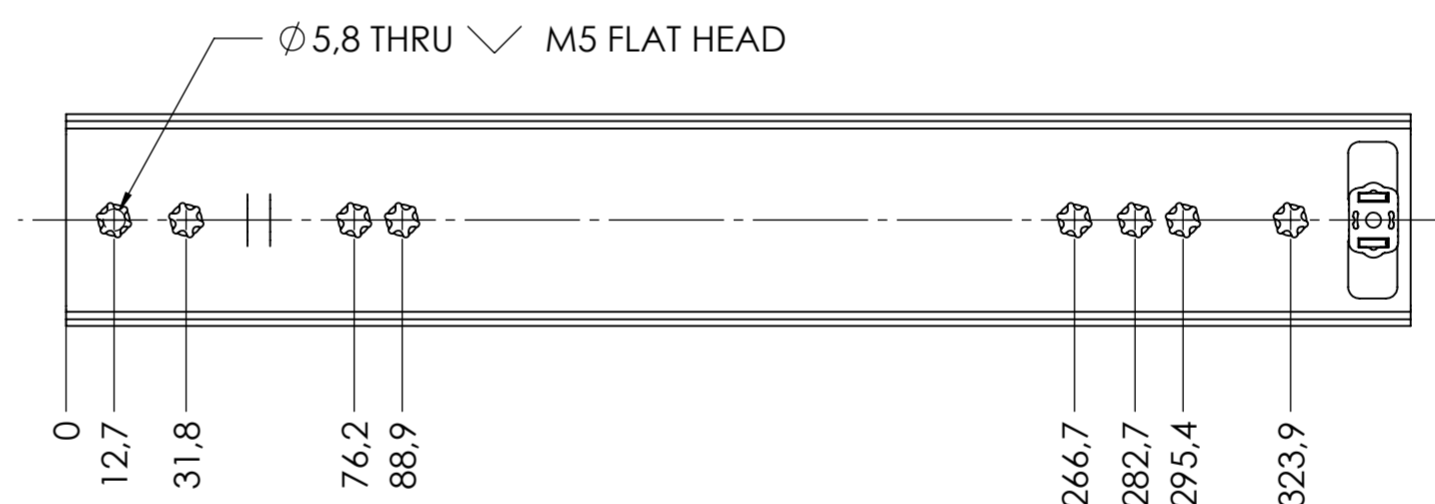


X



CABINET MOUNTING HOLES



RECOMMENDED HARDWARE:

CABINET- M5 FLAT HEAD SCREW #10 FLAT HEAD SCREW

DRAWER- M5 FLAT HEAD SCREW OR #10 FLAT HEAD SCREW

X

all dimensions in mm										
missing dimensions see 3D = theor. intersection		DIN ISO 128-30		scale: 1:2	surface/color:			material: STEEL <small>(technical requirements Fullterer)</small>		
prototype approval					drawn	date	name	description: OVER EXTENSION SIDE MOUNT DRAWER SLIDE WITH DRAWER DISCONNECT		
					proven	2024-08-22	FM			
 Fullterer AG & Co KG A-6890 Lustenau					drawing number: 5609.14-GA.T056			replaces the edition:		
					Fullterer AG CH-9430 St. Margrethen					
ind. changes	PDM	2024-08-26	BM							
<small>This drawing remains our property and may not be multiplied neither be disclosed to third parties (§§1.3 and 5 from the copyright Act (UrHG)).</small>										