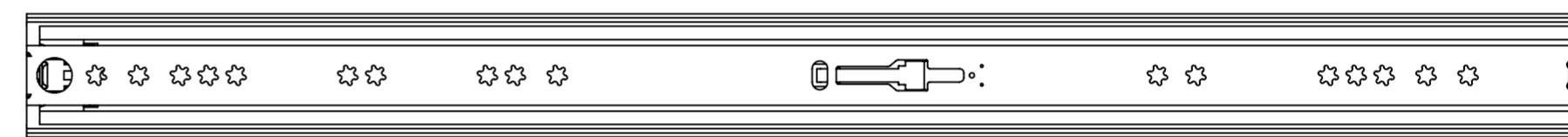
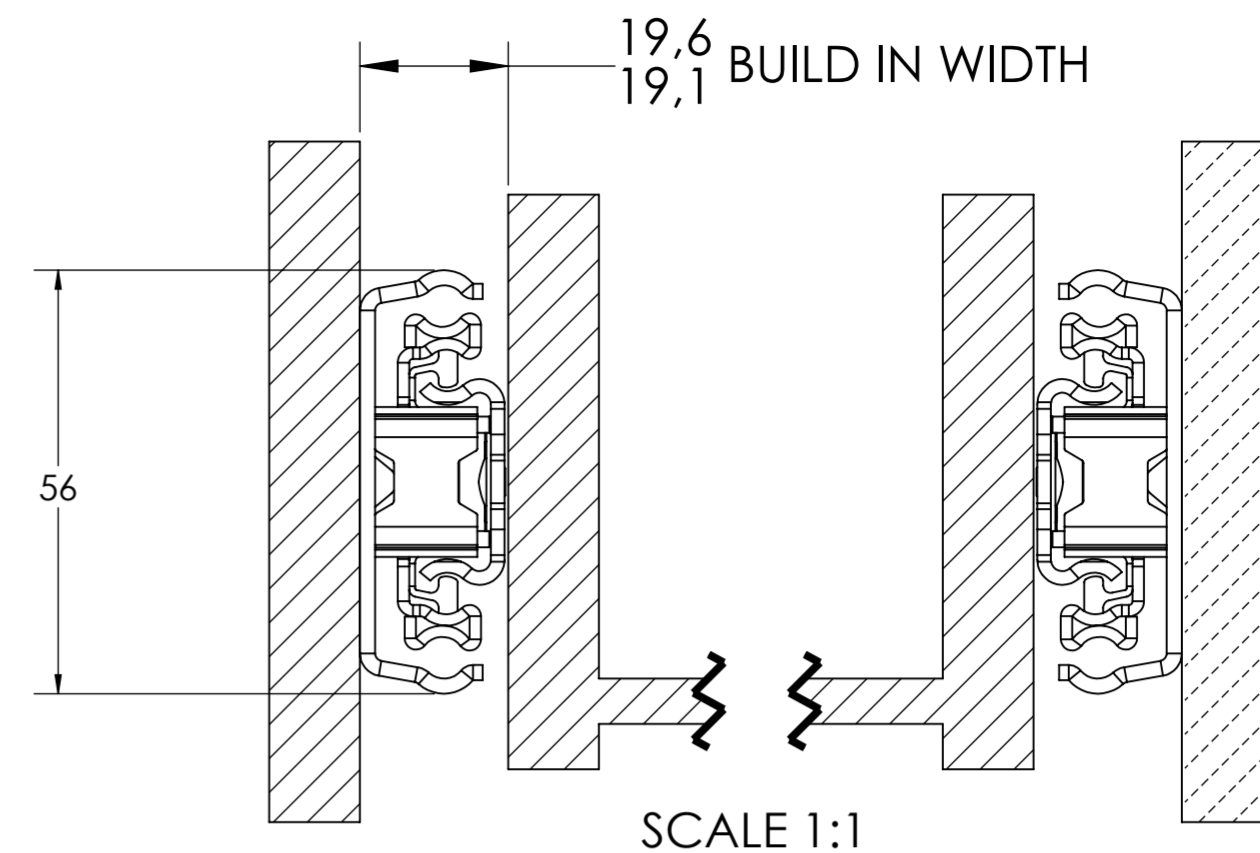
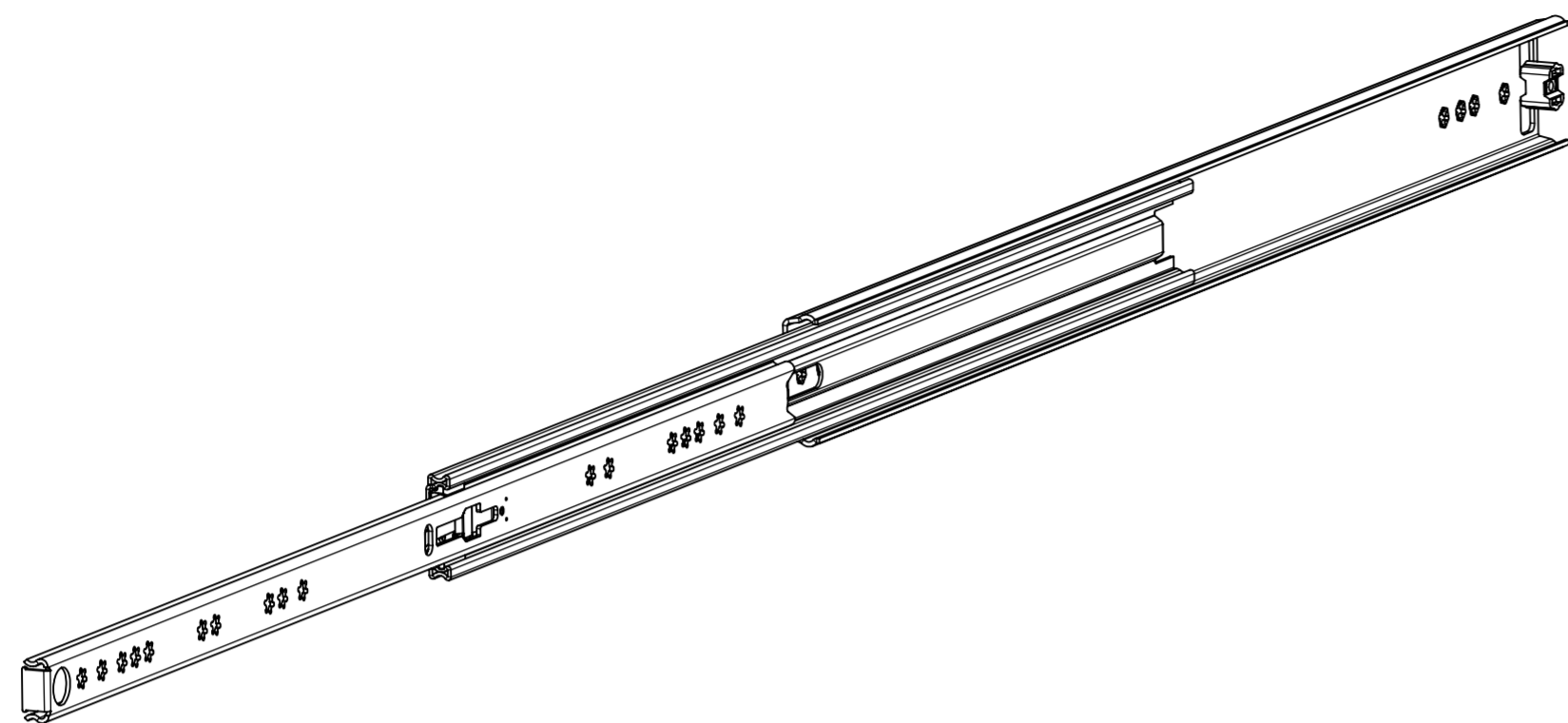
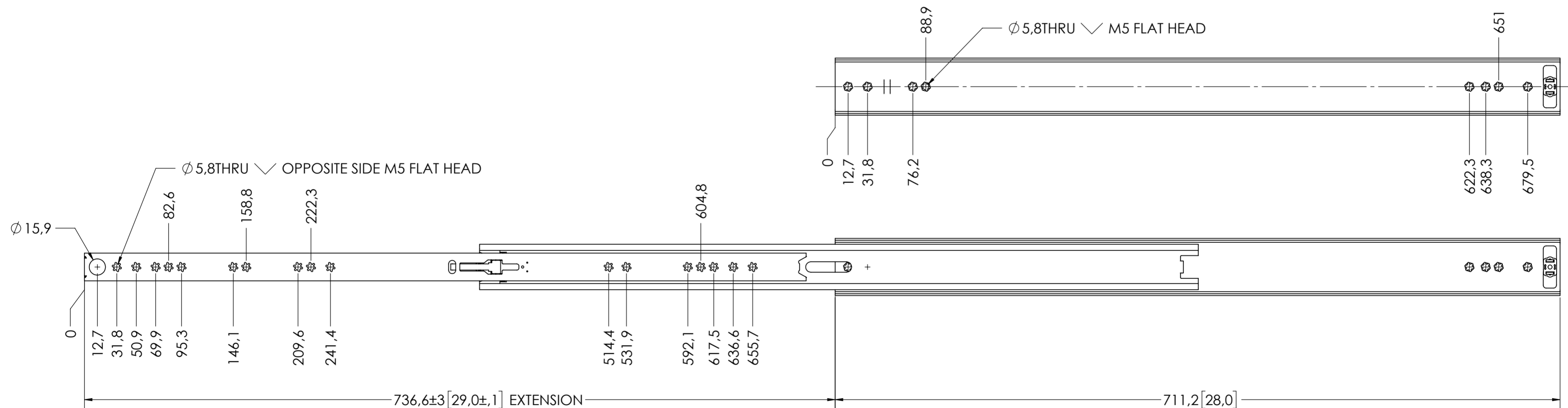


X



CABINET MOUNTING HOLES



RECOMMENDED HARDWARE:

CABINET- M5 FLAT HEAD SCREW #10 FLAT HEAD SCREW

DRAWER- M5 FLAT HEAD SCREW OR #10 FLAT HEAD SCREW

X

all dimensions in mm					
missing dimensions see 3D = ∅ = theor. intersection		scale: 1:3	surface/color:	material: STEEL	(technical requirements Fullterer)
prototype approval		drawn	date	name	description: OVER EXTENSION SIDE MOUNT DRAWER SLIDE WITH DRAWER DISCONNECT
		proven	2024-08-22	FM	
 Fulterer AG & Co KG A-6890 Lustenau		drawing number: 5609.28-GA.T056			replaces the edition:
		drawing number: 5609.28-GA.T056			
① PDM	2024-08-26	BM	drawing number: 5609.28-GA.T056		
ind. changes	date	name	drawing number: 5609.28-GA.T056		
This drawing remains our property and may not be multiplied neither be disclosed to third parties (§§1.3 and 5 from the copyright Act (UrHfG)).					
					A2