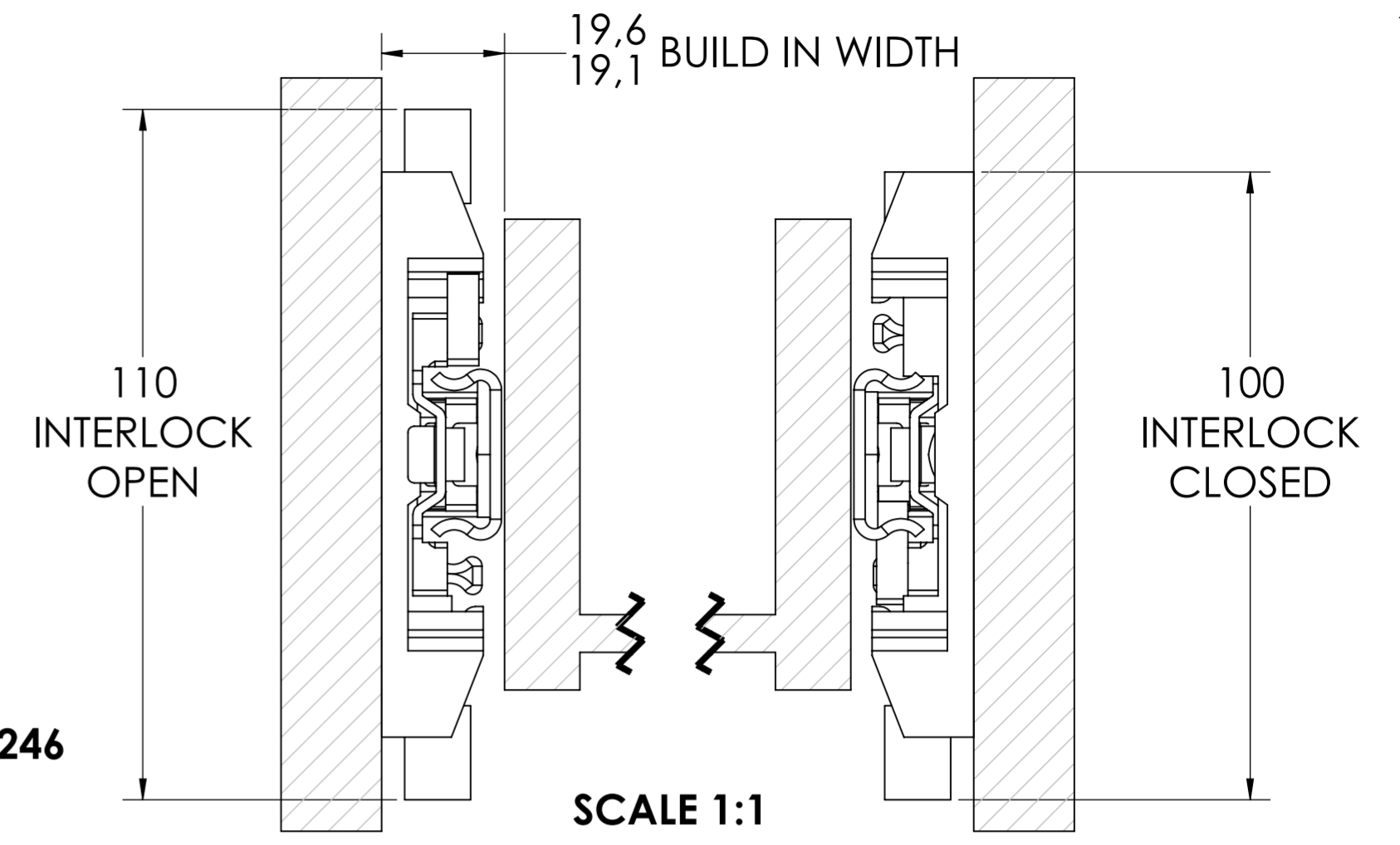


**ROD LENGTH  $L^{+0}_{-0.2} = A - 70$**   
 $\varnothing$  5mm ROD  
**FULTERER PART NUMBER 400246**



**SCALE 1:1**

**SCALE 1:4**

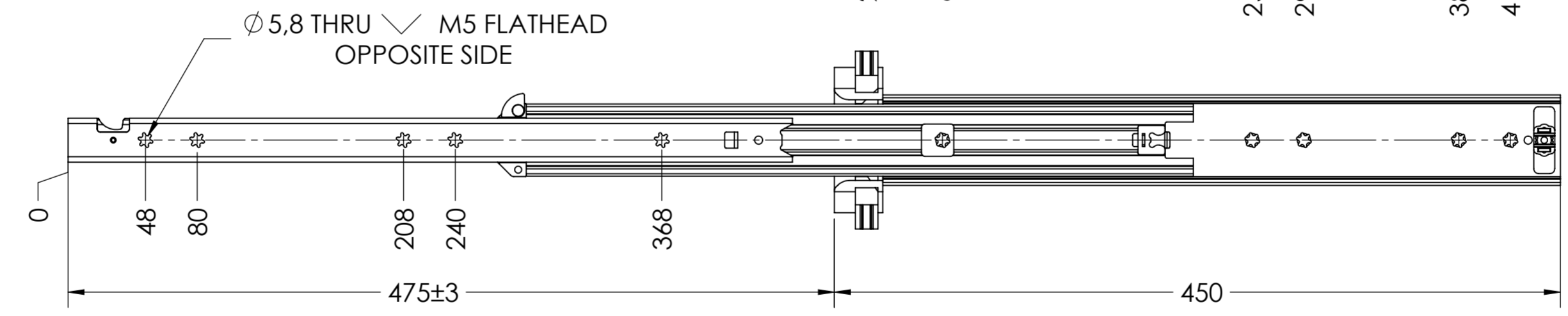
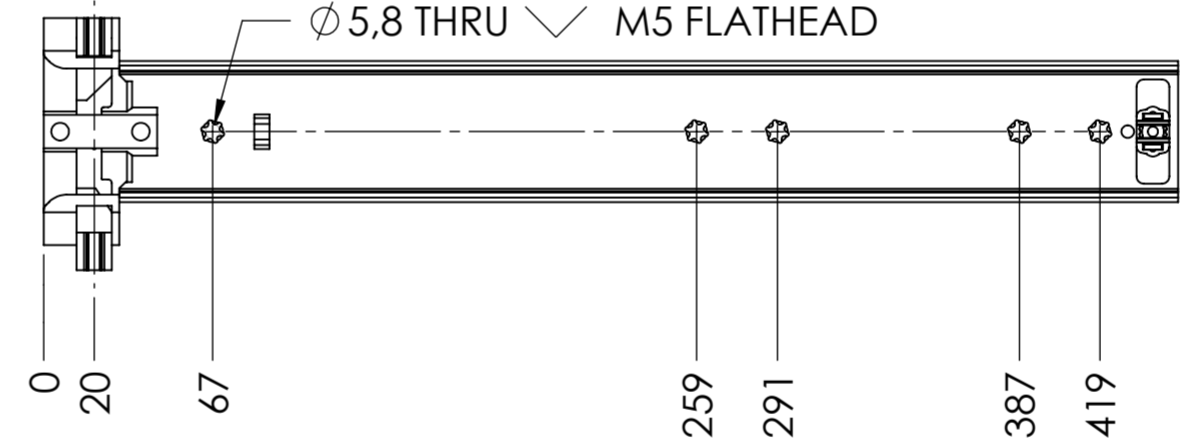
NOTE: 450mm LENGTH SHOWN

**RECOMMENDED MINIMUM DISTANCE BETWEEN SLIDES "A" = 110mm**



**CABINET MOUNTING HOLES**

$\varnothing$  5,8 THRU  $\surd$  M5 FLATHEAD



$\varnothing$  5,8 THRU  $\surd$  M5 FLATHEAD  
 OPPOSITE SIDE

RECOMMENDED HARDWARE:

CABINET- M5 FLAT HEAD SCREW

DRAWER- M5 FLAT HEAD SCREW

INTERLOCK  $\varnothing$  5mm ROD **FULTERER PART NUMBER 400246**

general tolerances		DIN ISO 128-30 missing dimensions see 3D = theor. intersection	
ISO 2768-m			
This drawing remains our property and may not be multiplied neither be disclosed to third parties (§§1,3 and 5 from the copyright Act (UrhG)) covered according to DIN ISO 16016			
(k)		scale:	surface:
(l)		1:3	
(m)		date	name
(n)		drawn 26-02-2019	HB
(o)		proven 00-00-0000	00
(p)		<b>Fulterer</b>	
(q)			
(r)		Fulterer AG & Co KG A-6890 Lustenau / Austria	
(s)		Fulterer AG CH-9430 St. Margrethen	
(t)		drawing number: <b>5619.450-GA.T038</b>	
(u)		replaces version date:	
(v)			
(w)			
(x)			
(y)			
(z)			
ind.	changes	date	na.