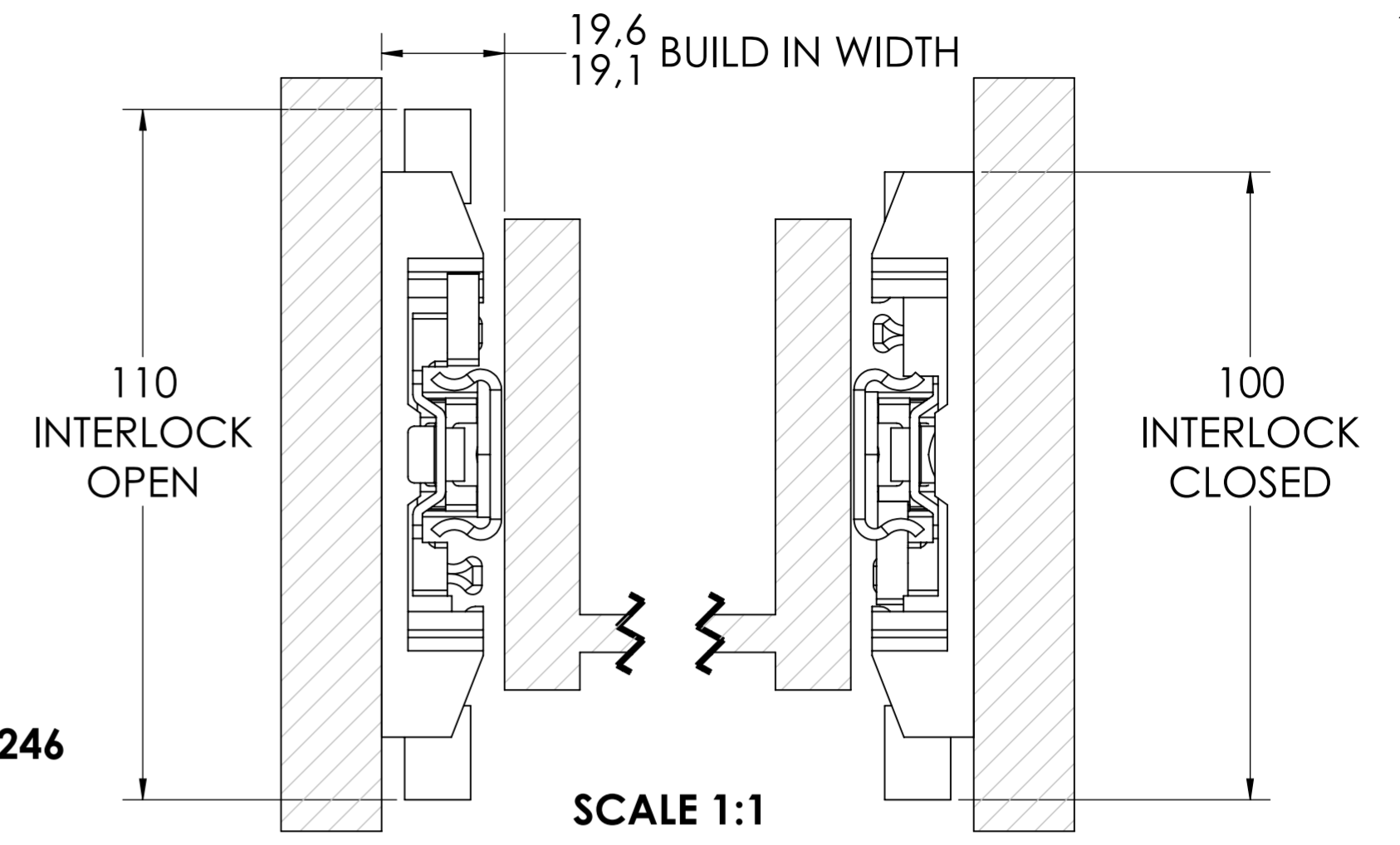


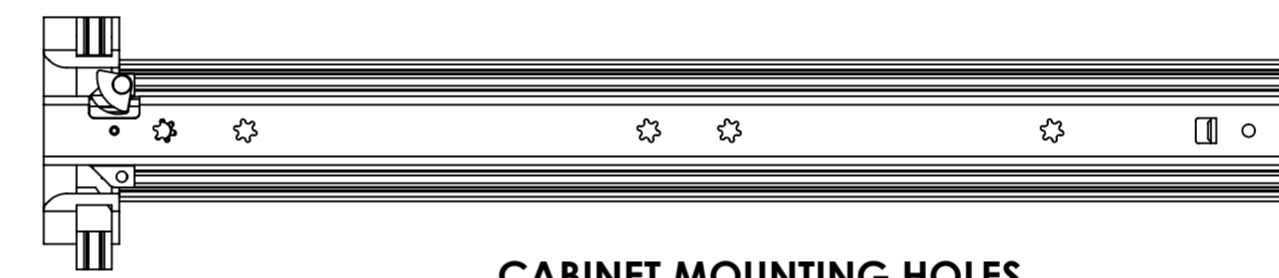
ROD LENGTH $L^{+0}_{-0.2} = A - 70$
 $\varnothing 5\text{mm}$ ROD
FULTERER PART NUMBER 400246



SCALE 1:4

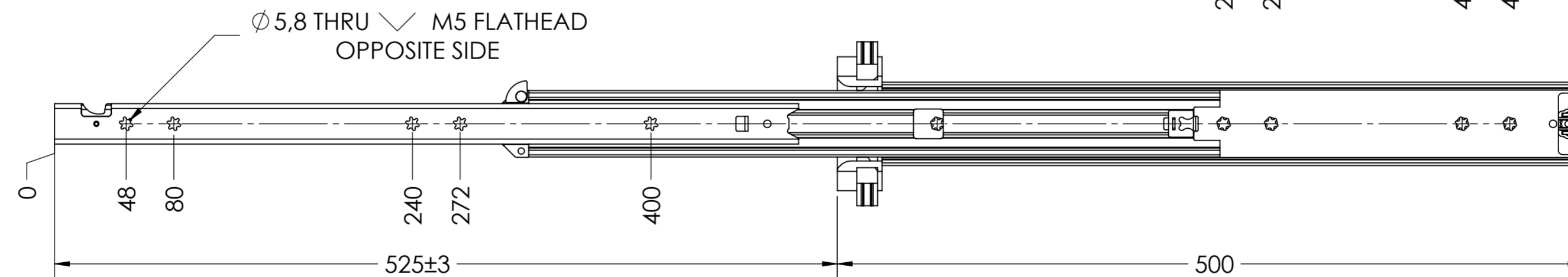
NOTE: 450mm LENGTH SHOWN

RECOMMENDED MINIMUM DISTANCE BETWEEN SLIDES "A" = 110mm



CABINET MOUNTING HOLES

$\varnothing 5,8$ THRU \sphericalangle M5 FLATHEAD



$\varnothing 5,8$ THRU \sphericalangle M5 FLATHEAD
 OPPOSITE SIDE

RECOMMENDED HARDWARE:

CABINET- M5 FLAT HEAD SCREW

DRAWER- M5 FLAT HEAD SCREW

INTERLOCK $\varnothing 5\text{mm}$ ROD **FULTERER PART NUMBER 400246**

general tolerances		DIN ISO 128-30 missing dimensions see 3D = theor. intersection	
ISO 2768-m			
This drawing remains our property and may not be multiplied neither be disclosed to third parties (§§1,3 and 5 from the copyright Act (UrhG)) covered according to DIN ISO 16016			
(k)	scale:	1:3	surface:
(l)	date:	26-02-2019	name:
(m)	drawn:	HB	
(n)	proven:	00-00-0000	00
(o)	Fulterer		material, semi finished parts:
(p)			STEEL
(q)	Fulterer AG & Co KG A-6890 Lustenau / Austria		description:
(r)			SIDE MOUNT OVER EXTENSION INTERLOCKING DRAWER SLIDE NON-DISCONNECT
(s)	Fulterer AG CH-9430 St. Margrethen		drawing number:
(t)			5619.500-GA.T038
(u)	changes	date	replaces version date:
(v)			
(w)			
(x)			
(y)			
(z)			
ind.			