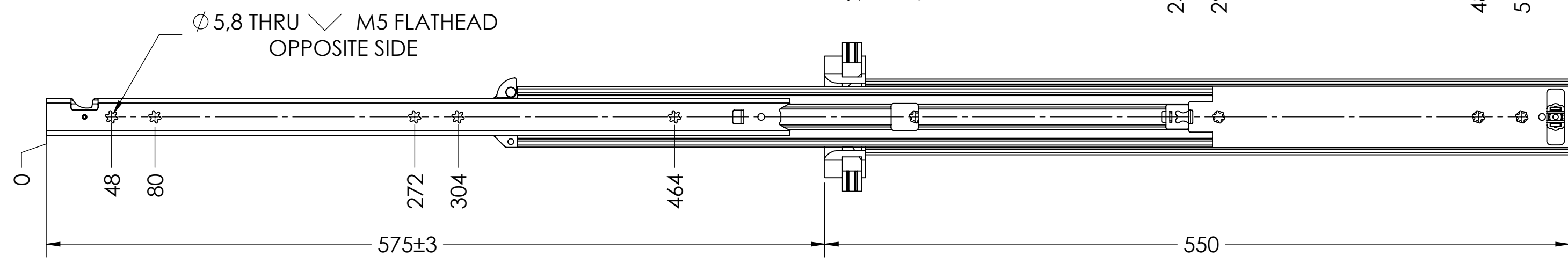
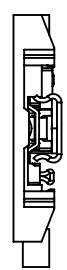


SCALE 1:4

NOTE: 450mm LENGTH SHOWN

RECOMMENDED MINIMUM DISTANCE BETWEEN SLIDES "A" = 110mm



RECOMMENDED HARDWARE:

CABINET- M5 FLAT HEAD SCREW

DRAWER- M5 FLAT HEAD SCREW

INTERLOCK Ø 5mm ROD **FULTERER PART NUMBER 400246**

general tolerances		DIN ISO 128-30 missing dimensions see 3D = theor. intersection	
ISO 2768-m			
This drawing remains our property and may not be multiplied neither be disclosed to third parties (§§1,3 and 5 from the copyright Act (UrhG)) covered according to DIN ISO 16016			
(k)	scale:	1:3	surface:
(l)	date	26-02-2019	name
(m)	drawn	HB	description:
(n)	proven	00-00-0000	00
(o)	<b>Fulterer</b>		material, semi finished parts:
(p)			STEEL
(q)	Fulterer AG & Co KG		(technical requirements Fulterer)
(r)	A-6890 Lustenau / Austria		description:
(s)	Fulterer AG		SIDE MOUNT OVER EXTENSION
(t)	CH-9430 St. Margrethen		INTERLOCKING DRAWER SLIDE
(u)			NON-DISCONNECT
(v)			drawing number:
(w)			<b>5619.550-GA.T038</b>
(x)			replaces version date:
(y)	ind.	changes	date
(z)			na.