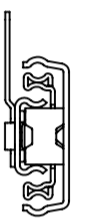
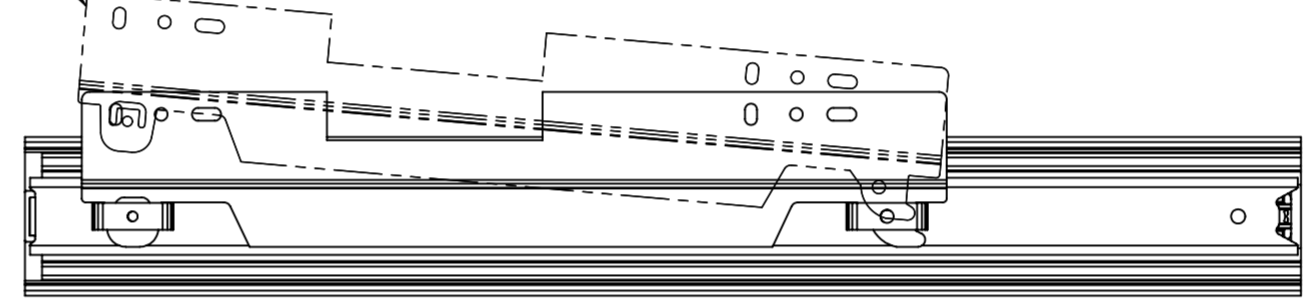
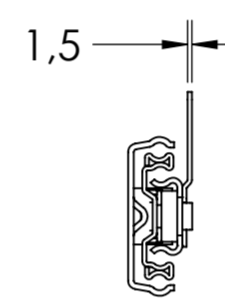


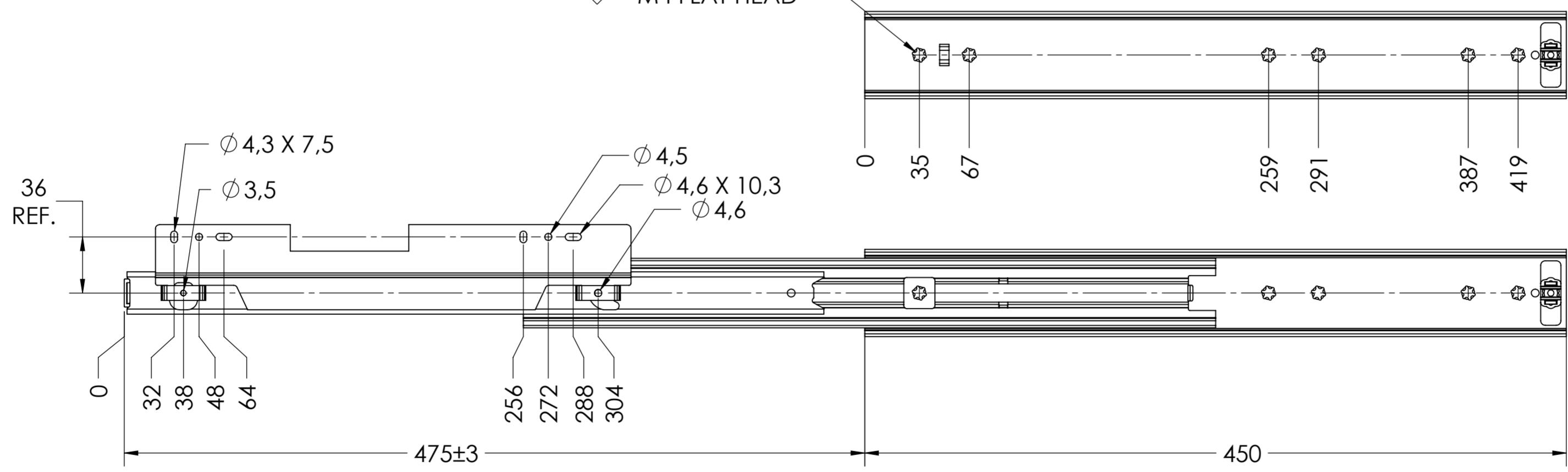
SCALE 1:1

DISCONNECT RAIL



CABINET MOUNTING HOLES

∅ 5,8 THRU
M4 FLAT HEAD



RECOMMENDED HARDWARE:

- CABINET- M4 FLAT HEAD SCREW OR #10 FLAT HEAD SCREW
- DRAWER- M4 BUTTON HEAD SCREW OR #8 BUTTON HEAD SCREW

general tolerances		DIN ISO 128-30 missing dimensions see 3D = theor. intersection	
ISO 2768-m			
This drawing remains our property and may not be multiplied neither be disclosed to third parties (§§1,3 and 5 from the copyright Act (UrhG)) covered according to DIN ISO 16016			
(k)	(l)	scale:	surface:
		3:8	
(h)	(i)	date	name
(g)	(f)	drawn 27-09-2019	HB
(e)	(d)	proven 00-00-0000	00
(c)	(b)	Fulterer	
(a)	0		
ind.	changes	date	na.
		material, semi finished parts: STEEL (technical requirements Fulterer)	
		description: SIDE MOUNT OVER EXTENSION SLIDE WITH DRAWER DISCONNECT RAIL	
		drawing number: 5623.450-GA.T040	
		replaces version date:	