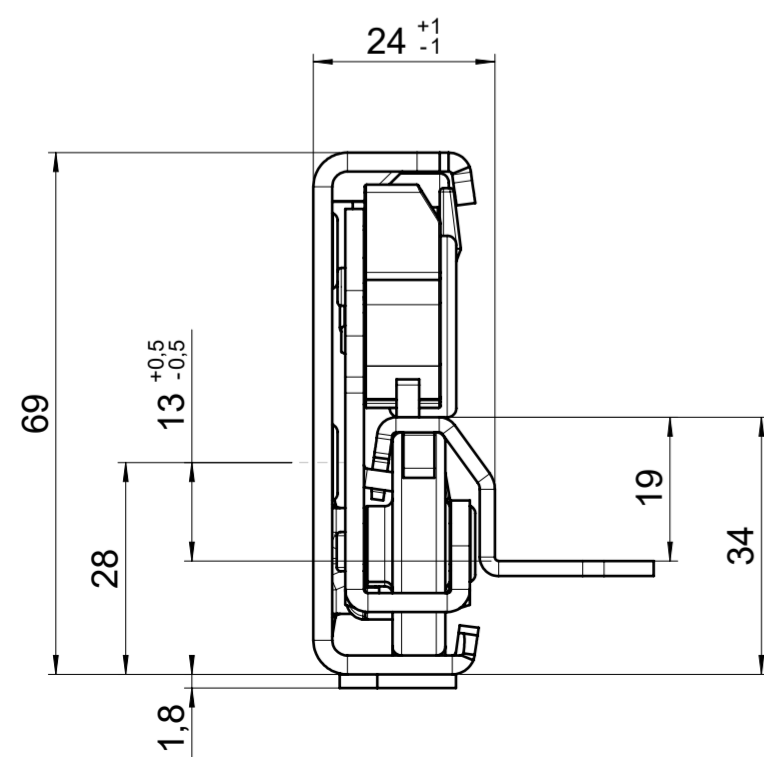
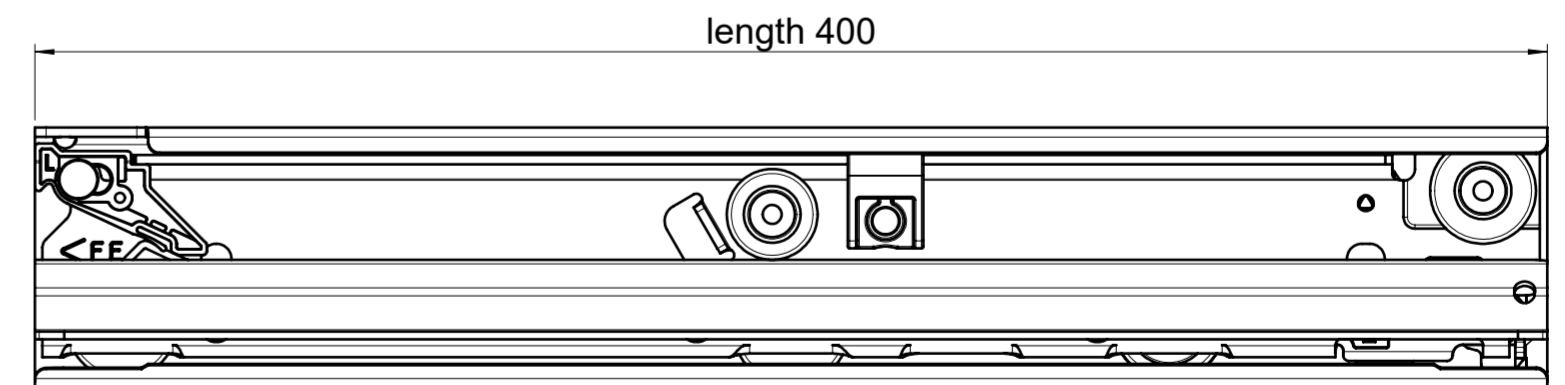
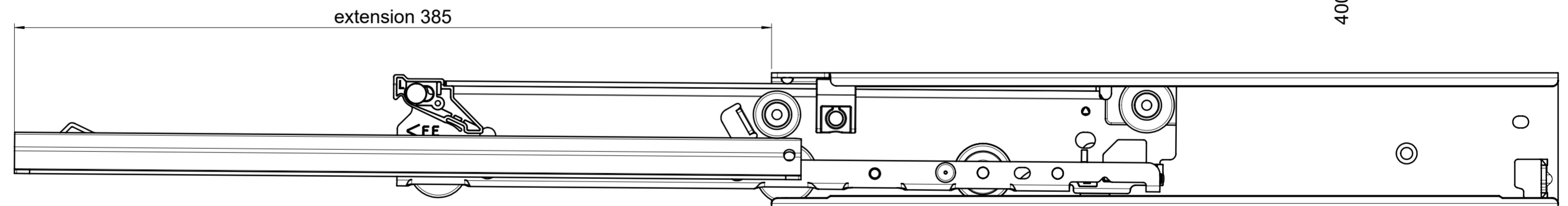
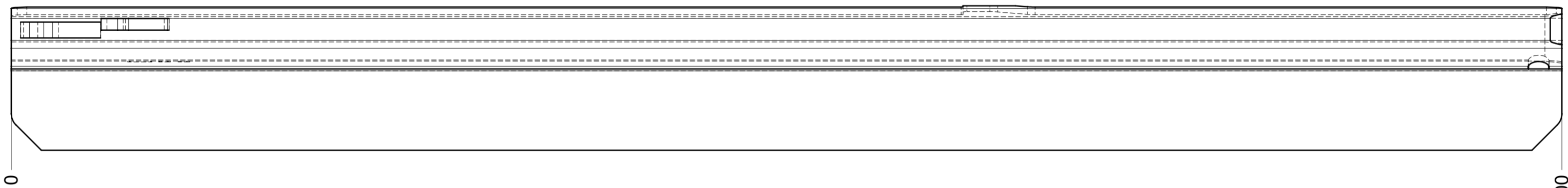
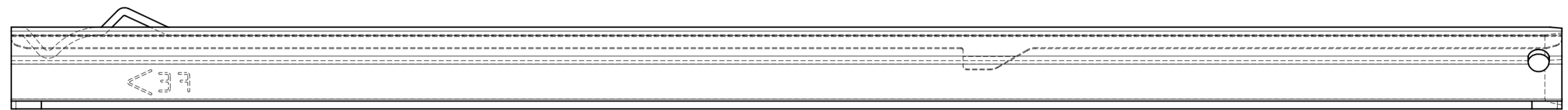
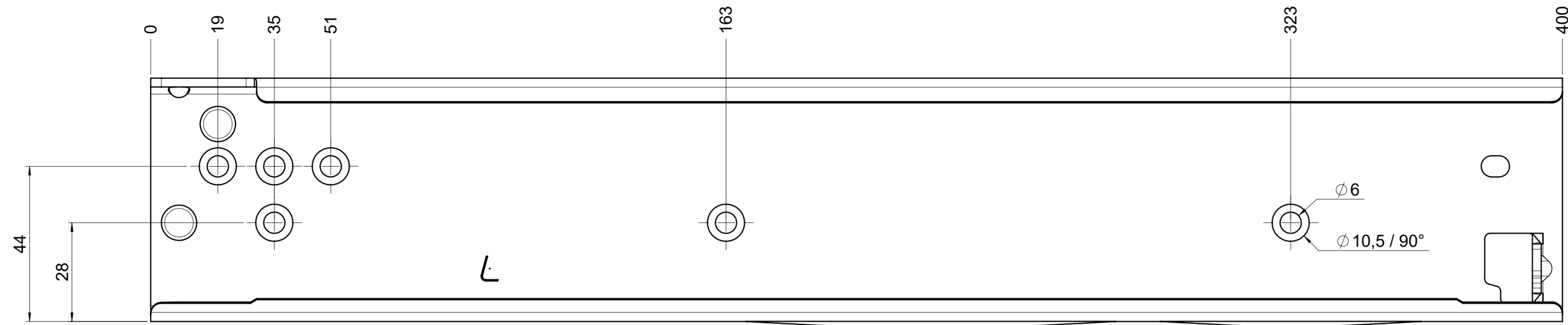


CS# 7100.400-GAV.L095

drawn left (right mirrorimage)



final approval

customer name:

signed by:

date:

all dimensions in mm

DIN ISO 128-30
missing dimensions see 3D
= theor. intersection

This drawing remains our property and may not be multiplied neither be disclosed to third parties (§§1,3 and 5 from the copyright Act (UrhG)) covered according to DIN ISO 16016				scale:	surface:	material, semi finished parts: CS (technical requirements Fulterer)
				1:1		
(k)				date	name	description: FR 7100 / 40 CS EN (mm) progressive-action full-extension drawerslide / bottom mount HR
(l)				drawn 14-12-2022	BM	
(m)				proven 00-00-0000	00	
(n)				Fulterer		drawing number: CS# 7100.400-GAV.L095
(o)						
(p)				Fulterer AG & Co KG A-6890 Lustenau / Austria		replaces version date:
(q)				Fulterer AG CH-9430 St. Margrethen		
(r)				changes	date	na.
(s)						
(t)						
(u)						
(v)						
(w)						
(x)						
(y)						
(z)						