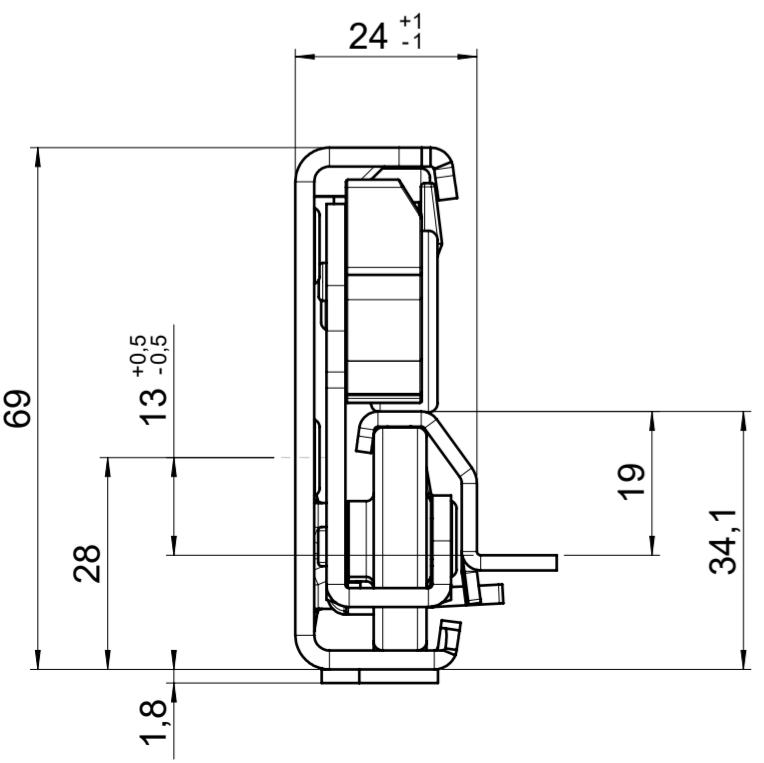
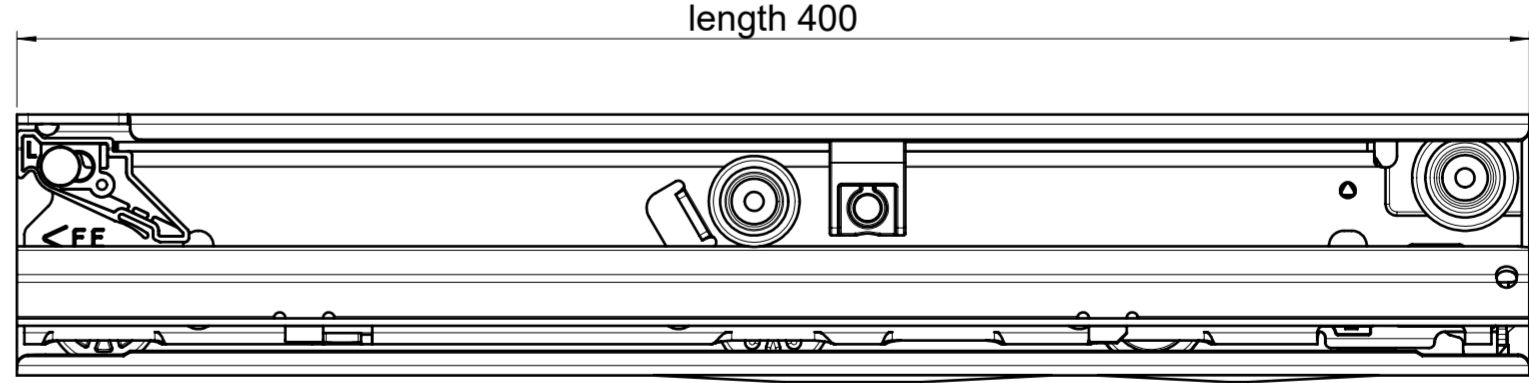
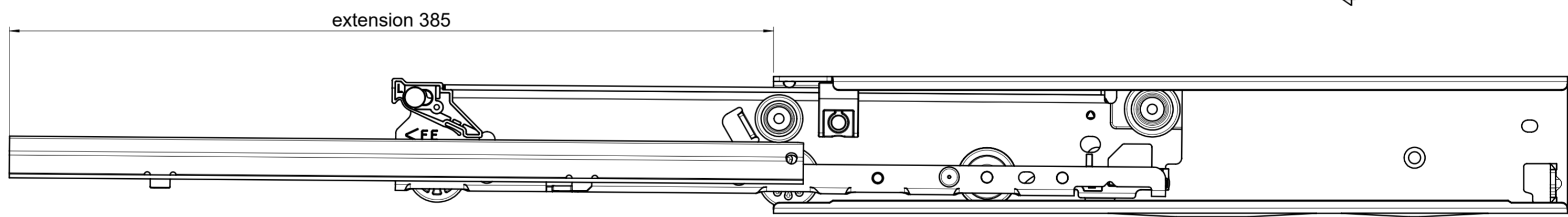
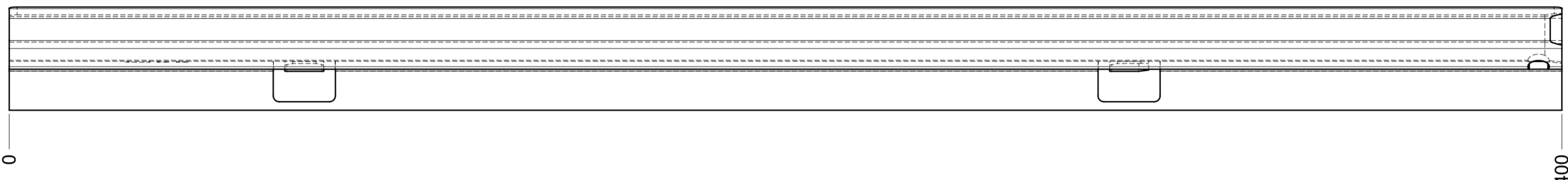
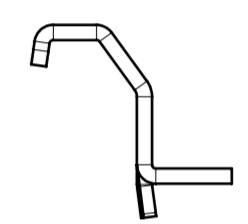
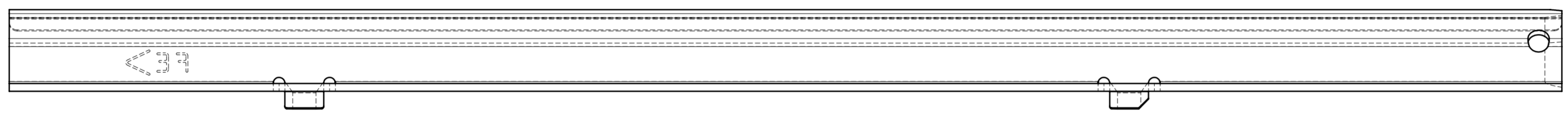
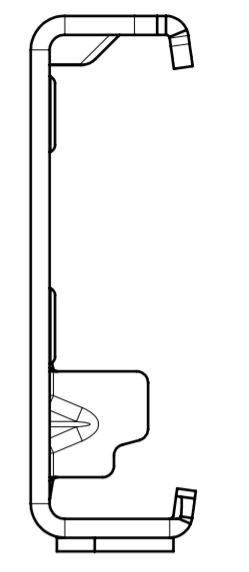
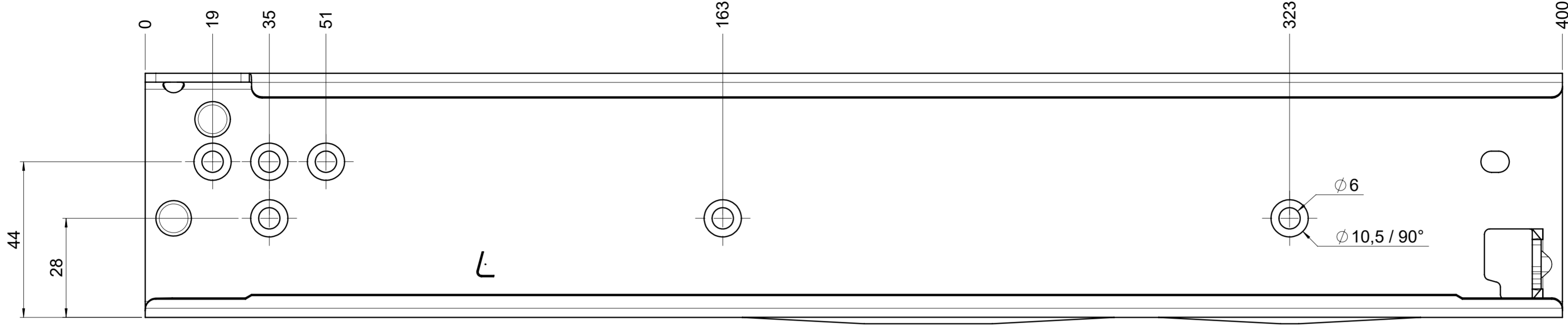


# CS# 7100.400-GAV.U001

drawn left (right mirrorimage)



**final approval**

customer name:

signed by:

date:

<b>all dimensions in mm</b>			DIN ISO 128-30 missing dimensions see 3D ⊕ = theor. intersection	
This drawing remains our property and may not be multiplied neither be disclosed to third parties (§§1,3 and 5 from the copyright Act (UrhG)) covered according to DIN ISO 16016				
(k) (l) (m) (n) (o) (p) (q) (r) (s) (t) (u) (v) (w) (x) (y) (z)	scale:	1:1	surface:	material, semi finished parts: CS (technical requirements Fulterer)
	drawn	14-12-2022	name	BM
	proven	00-00-0000	00	description: FR 7100 / 40 CS EN (mm) progressive-action full-extension drawerside / bottom mount
				drawing number: CS# 7100.400-GAV.U001
Fulterer AG & Co KG A-6890 Lustenau / Austria Fulterer AG CH-9430 St. Margrethen			replaces version date:	
ind.	changes	date	na.	