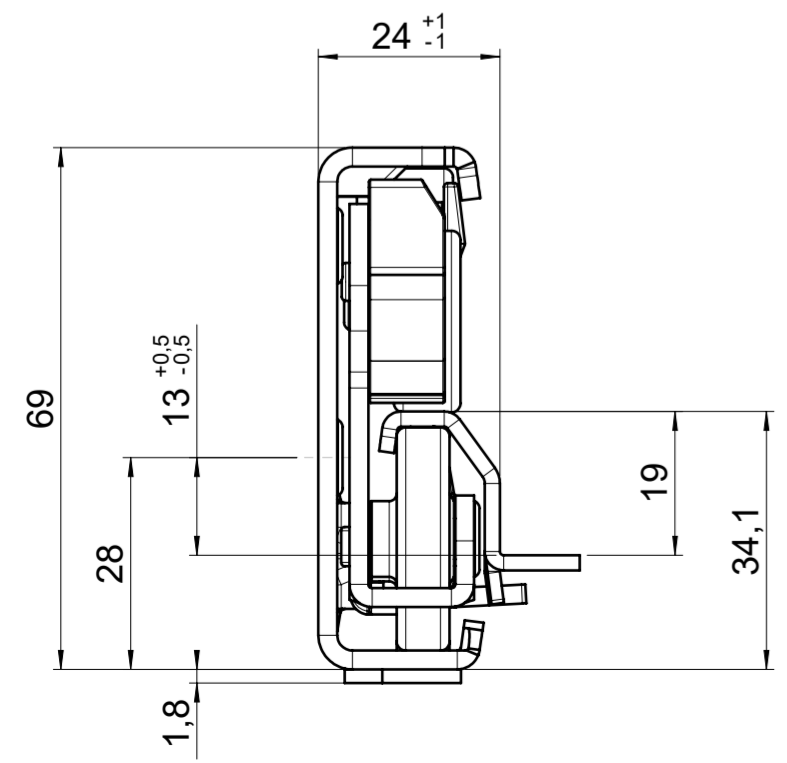
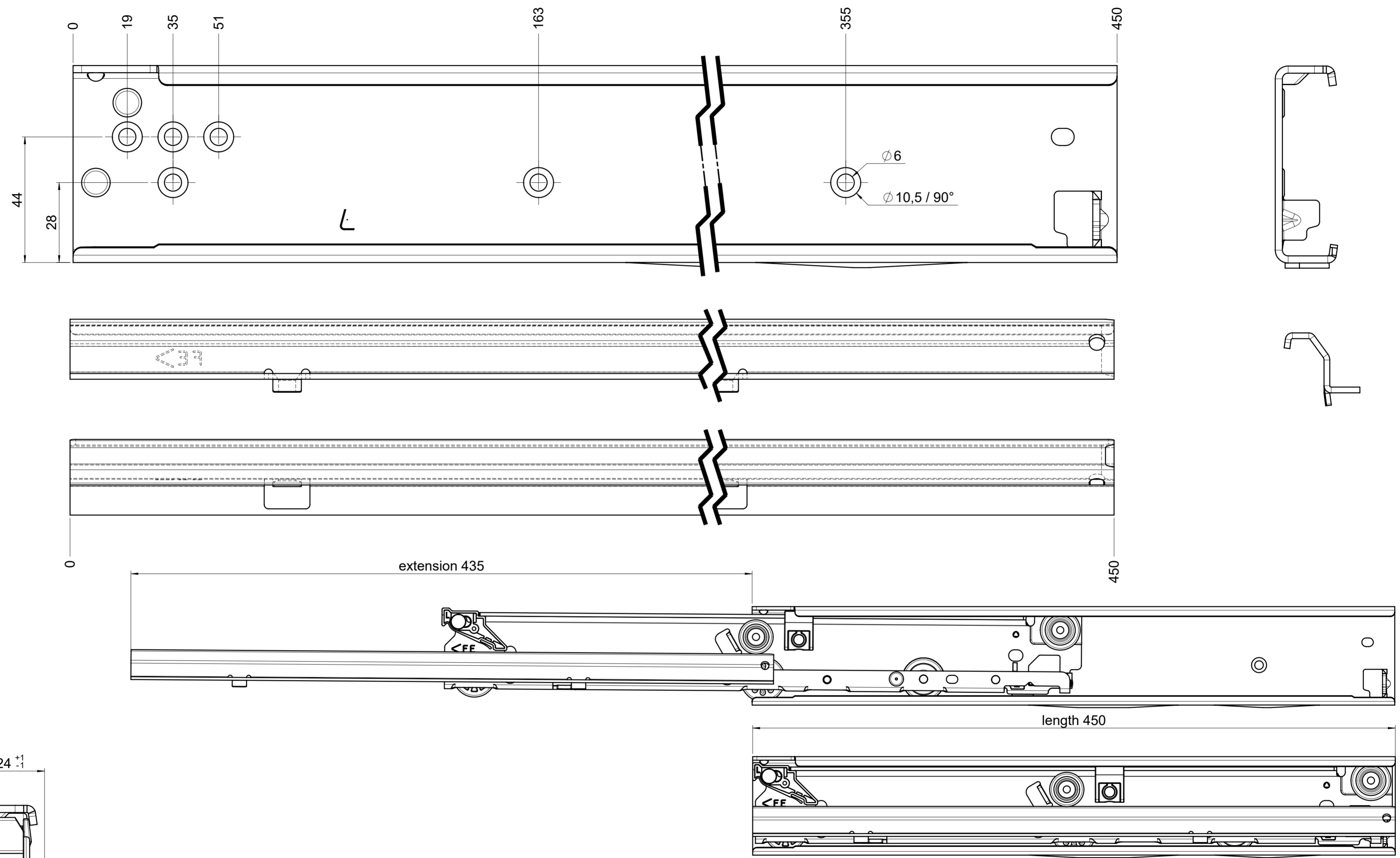


# CS# 7100.450-GAV.U001

drawn left (right mirrorimage)



**final approval**

customer name:

signed by:

date:

<b>all dimensions in mm</b>			DIN ISO 128-30 missing dimensions see 3D = theor. intersection	
This drawing remains our property and may not be multiplied neither be disclosed to third parties (§§1,3 and 5 from the copyright Act (UrhG)) covered according to DIN ISO 16016				
scale: 1:1		surface:		material, semi finished parts: CS (technical requirements Fulterer)
drawn 14-12-2022		date 14-12-2022		name BM
proven 00-00-0000		date 00-00-0000		description: FR 7100 / 45 CS EN (mm) progressive-action full-extension drawerslide / bottom mount
<b>Fulterer</b>				drawing number: CS# 7100.450-GAV.U001
Fulterer AG & Co KG A-6890 Lustenau / Austria Fulterer AG CH-9430 St. Margrethen				replaces version date:
ind.	changes	date	na.	