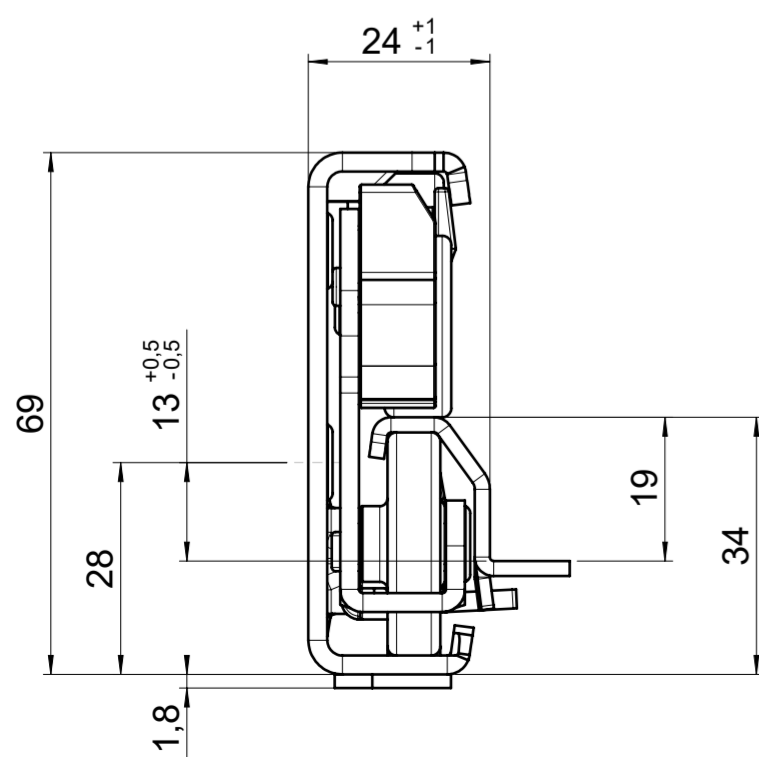
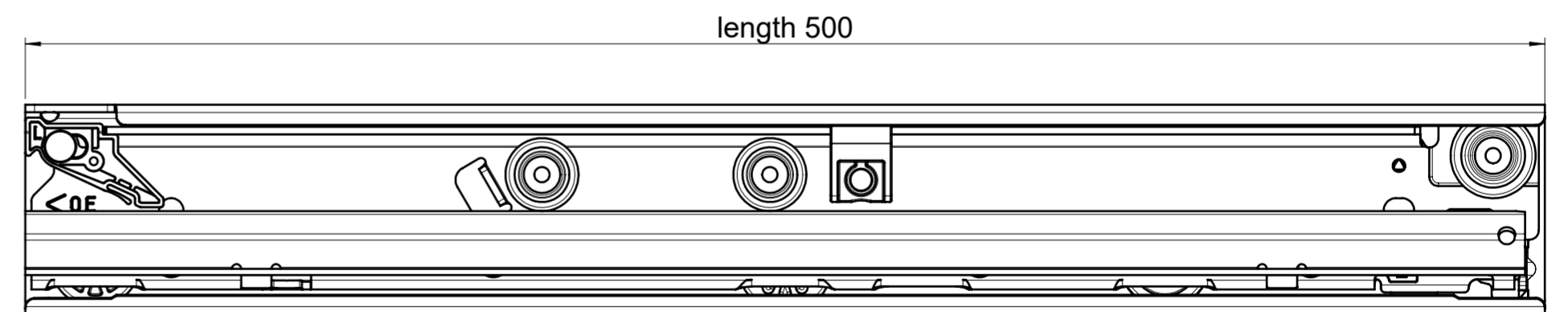
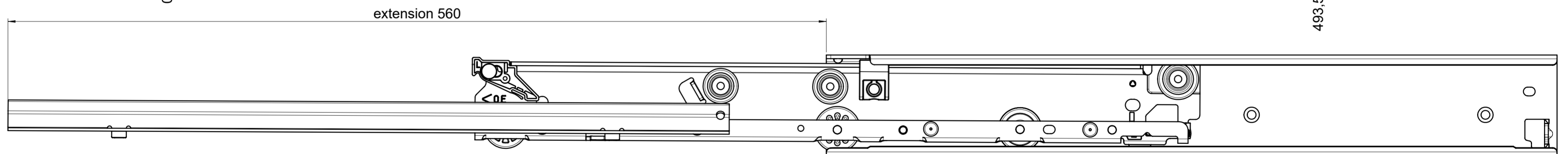
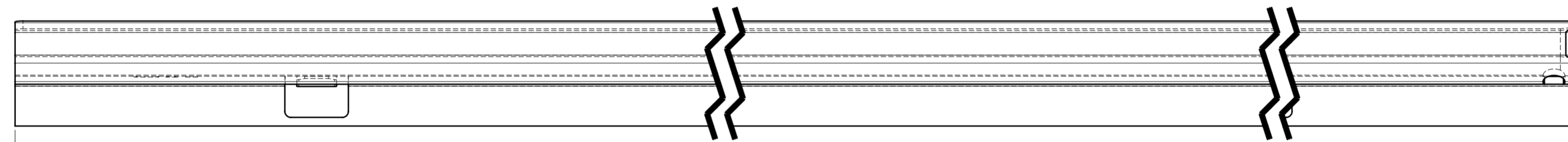
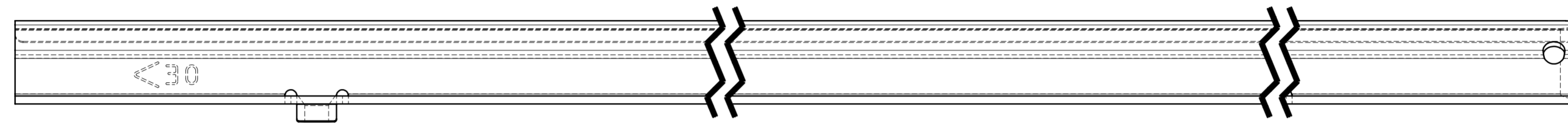
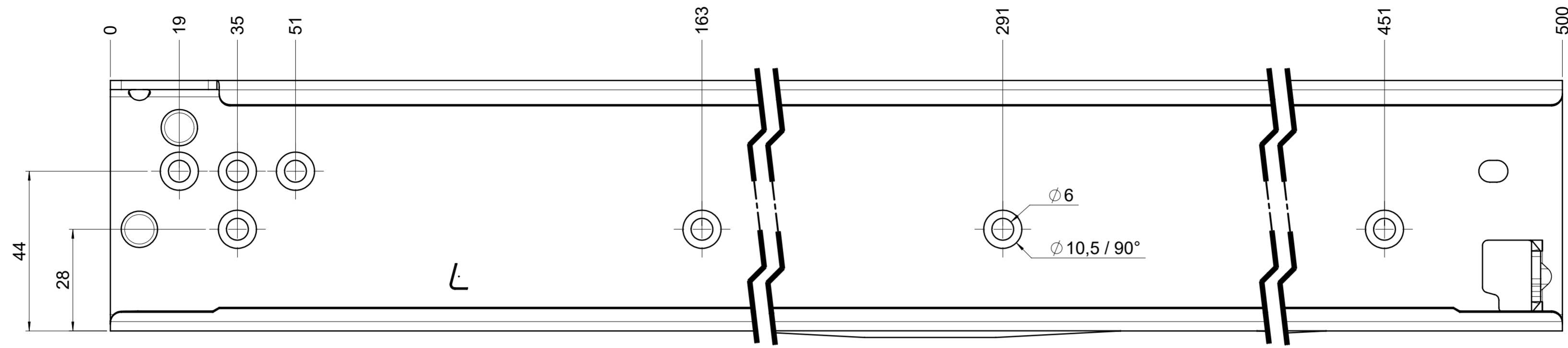


CS# 7100.500-GAÜ.U001

drawn left (right mirrorimage)



final approval

customer name:

signed by:

date:

all dimensions in mm

DIN ISO 128-30
missing dimensions see 3D
= theor. intersection

This drawing remains our property and may not be multiplied neither be disclosed to third parties (§§1,3 and 5 from the copyright Act (UrhG)) covered according to DIN ISO 16016				scale:	surface:	material, semi finished parts: CS (technical requirements Fulterer)	A2
		1:1					
(k)			date	name	description: FR 7100 / 50 CS EN (mm) progressive-action over-extension drawerslide / bottom mount		
(l)			drawn 14-12-2022	BM			
(h)			proven 00-00-0000	00	drawing number: CS# 7100.500-GAÜ.U001 replaces version date:		
(g)			Fulterer				
(f)					Fulterer AG & Co KG		
(e)			A-6890 Lustenau / Austria				
(d)			Fulterer AG				
(c)			CH-9430 St. Margrethen				
(b)			ind.	changes	date	na.	
(a)			Donnerstag, 15. Dezember 2022 16:33:02 matthias bechter				