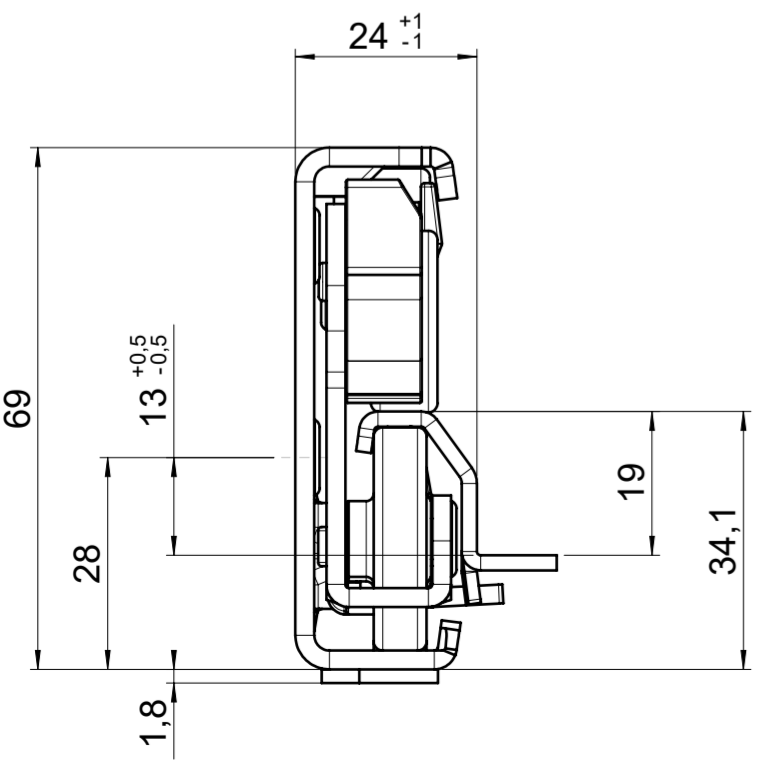
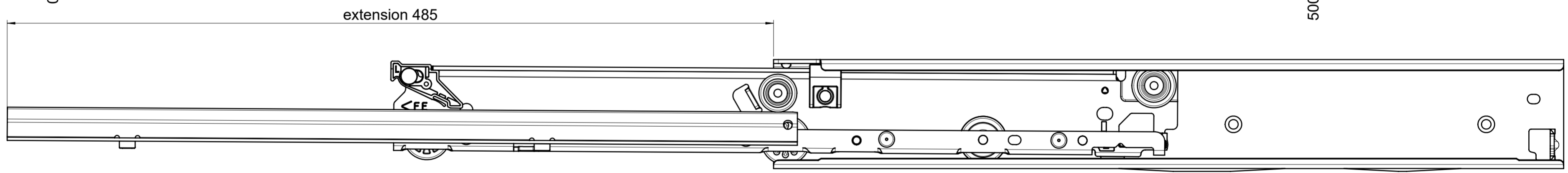
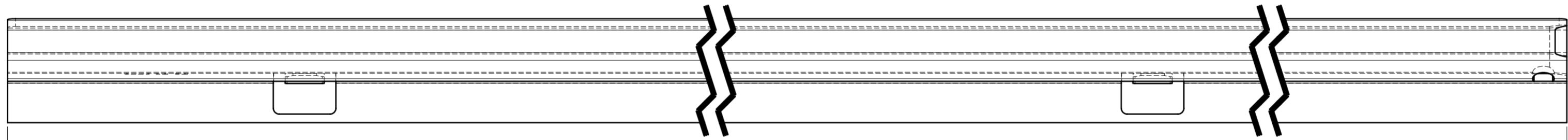
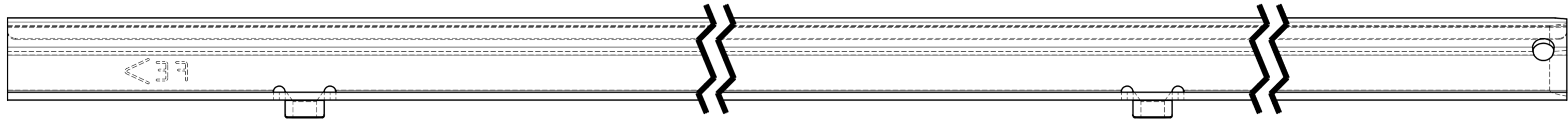
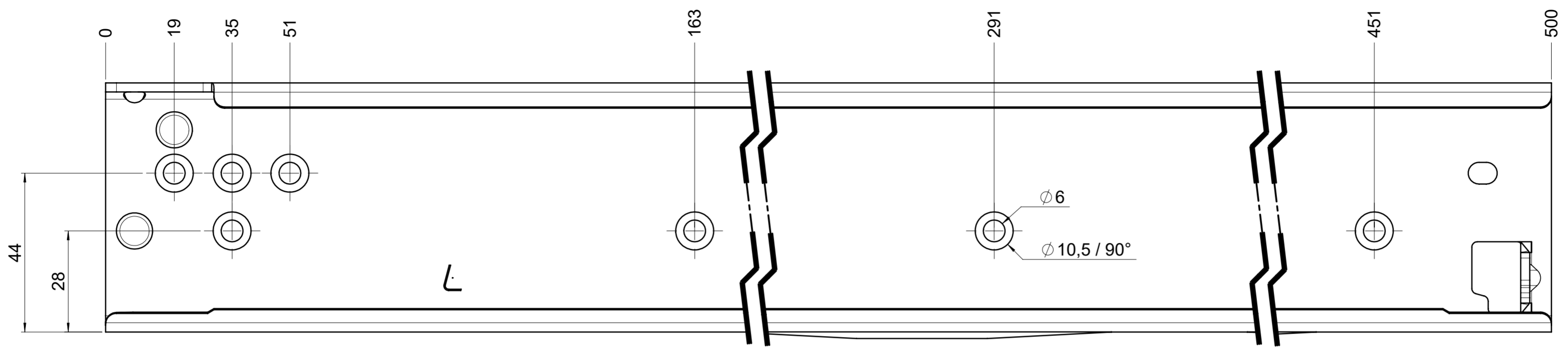


# CS# 7100.500-GAV.U001

drawn left (right mirrorimage)



## final approval

customer name:

signed by:

date:

## all dimensions in mm

DIN ISO 128-30  
missing dimensions see 3D  
= theor. intersection

This drawing remains our property and may not be multiplied neither be disclosed to third parties (§§1,3 and 5 from the copyright Act (UrhG)) covered according to DIN ISO 16016				scale:	surface:	material, semi finished parts: <b>CS</b> (technical requirements Fulterer)	A2
(k)				1:1			
(l)				drawn	date	name	description: FR 7100 / 50 CS EN (mm) progressive-action full-extension drawerslide / bottom mount
(h)				14-12-2022	BM		
(g)				proven	00-00-0000	00	
(f)				<b>Fulterer</b>			drawing number: <b>CS# 7100.500-GAV.U001</b> replaces version date:
(e)							
(d)				Fulterer AG & Co KG A-6890 Lustenau / Austria			
(c)				Fulterer AG CH-9430 St. Margrethen			
(b)				ind.	changes	date	na.
(a)							