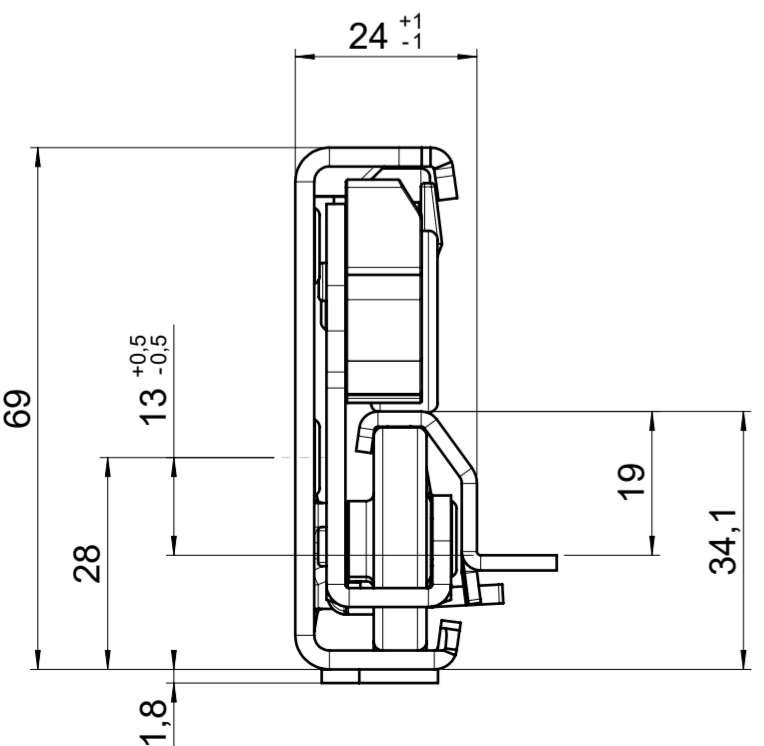
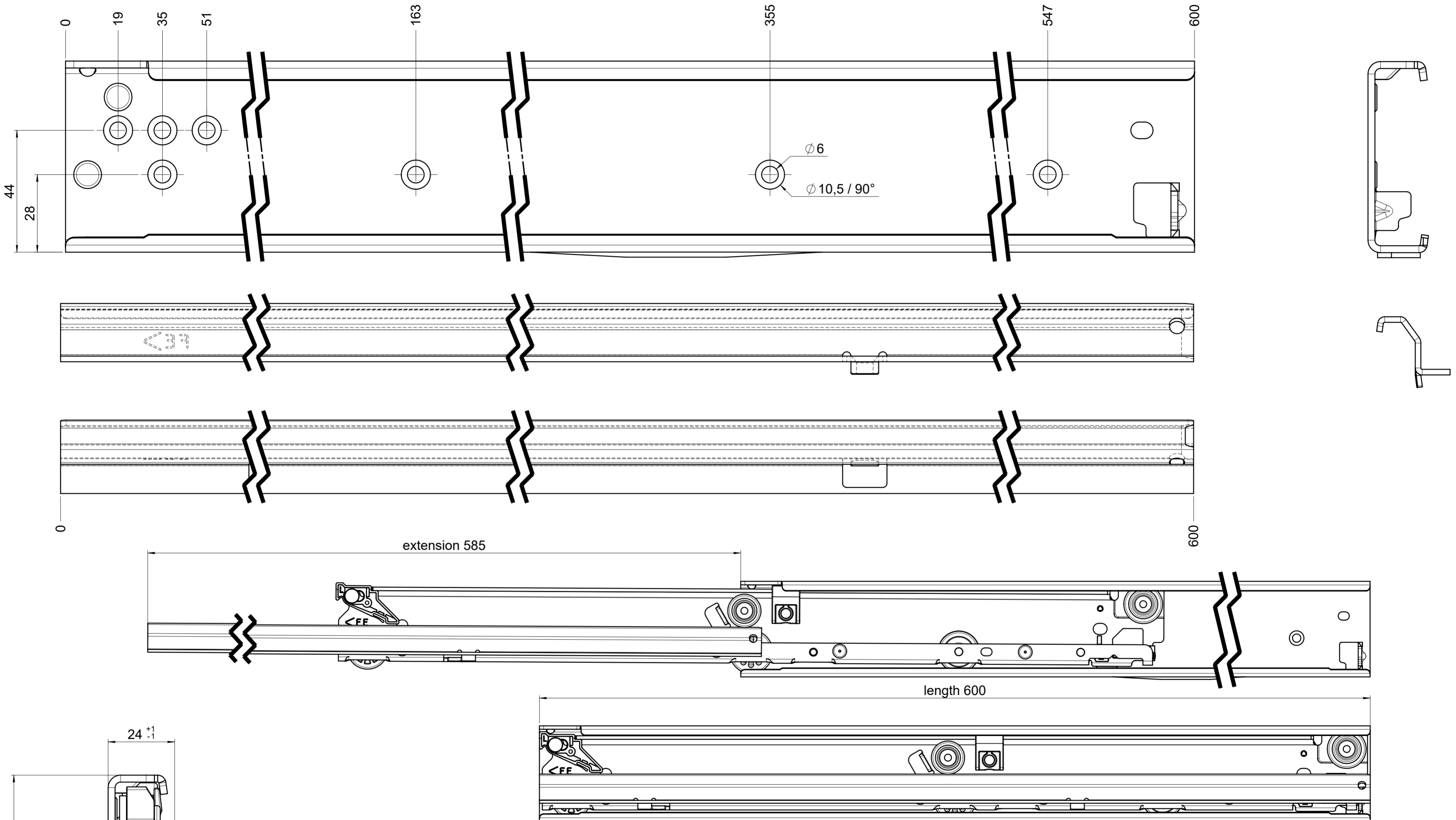


CS# 7100.600-GAV.U001

drawn left (right mirrorimage)



final approval

customer name:

signed by:

date:

all dimensions in mm			DIN ISO 128-30 missing dimensions see 3D = theor. intersection	
This drawing remains our property and may not be multiplied neither be disclosed to third parties (§§1,3 and 5 from the copyright Act (UrhG)) covered according to DIN ISO 16016				
scale: 1:1		surface: BM		material, semi finished parts: CS (technical requirements Fulterer)
drawn: 14-12-2022		name: BM		description: FR 7100 / 60 CS EN (mm) progressive-action full-extension drawerslide / bottom mount
proven: 00-00-0000		00		
			drawing number: CS# 7100.600-GAV.U001	
Fulterer AG & Co KG A-6890 Lustenau / Austria Fulterer AG CH-9430 St. Margrethen			replaces version date:	
ind.	changes	date	na.	