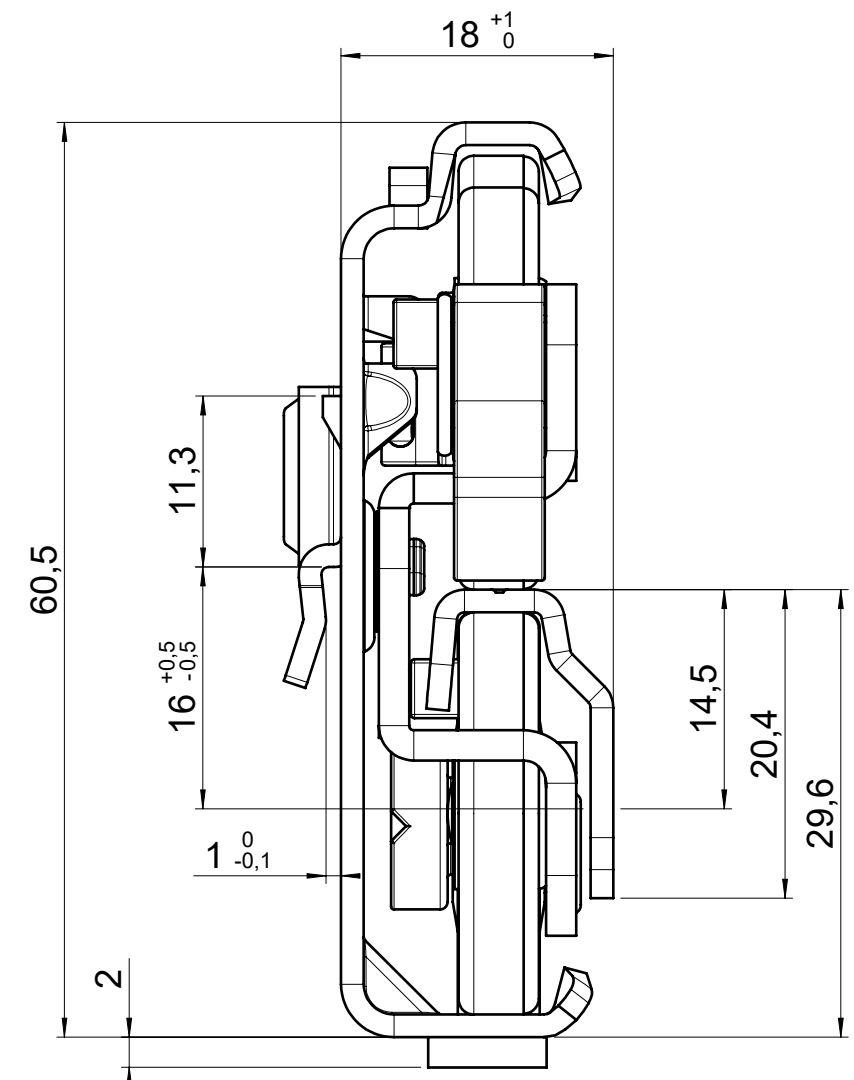
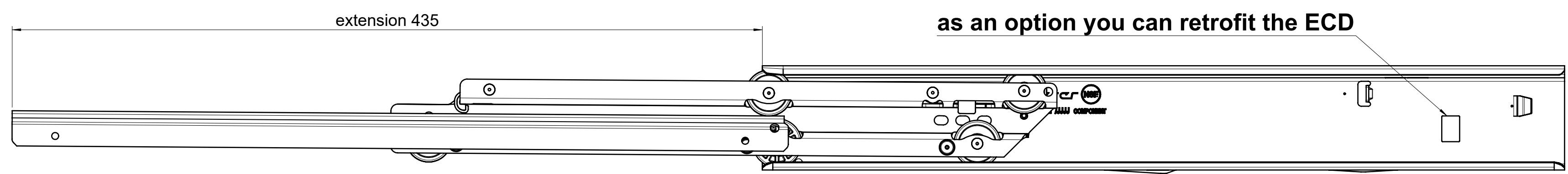
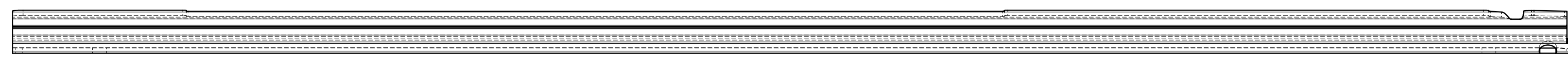
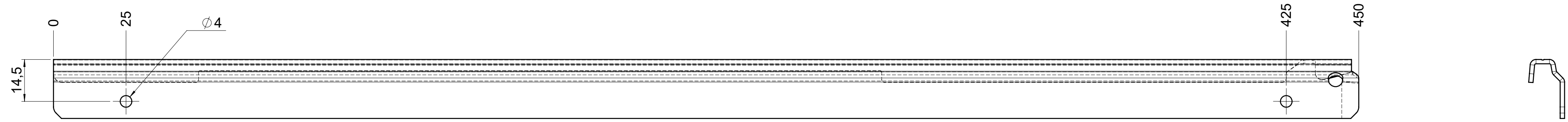
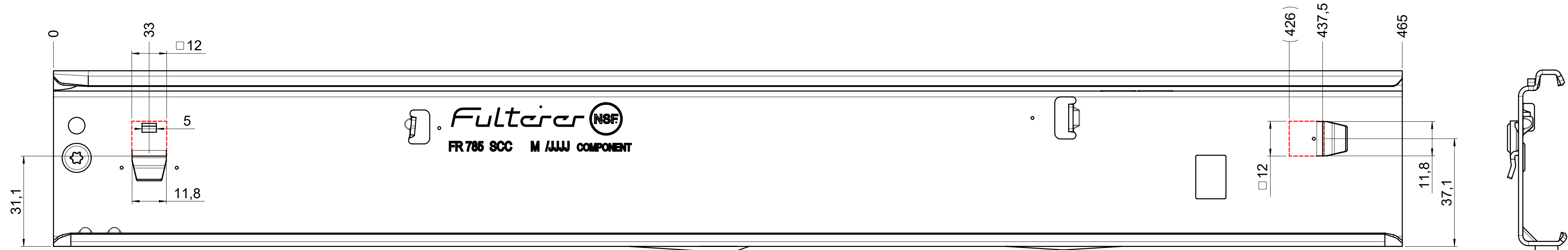


drawn left (right mirrorimage)



final approval

customer name:

signed by:

date:

all dimensions in mm				DIN ISO 128-30 missing dimensions see 3D = theor. intersection	
This drawing remains our property and may not be multiplied neither be disclosed to third parties (§§1,3 and 5 from the copyright Act (UrhG)) covered according to DIN ISO 16016					
scale: 1:1		surface:		material, semi finished parts: CS (technical requirements Fulterer)	
drawn 24-11-2022		date		description: FR 785 / 45 CS EN (mm) progressive-action full-extension drawerslide / side mount	
proven 02-01-2023		name		drawing number: CS# 785.450-GA.L526	
		pr		replaces version date:	
		Fulterer AG & Co KG A-6890 Lustenau / Austria Fulterer AG CH-9430 St. Margrethen			
(k)	changes	date	na.		
(l)					
(i)					
(h)					
(g)					
(f)					
(e)					
(d)					
(c)					
(b)					
(a)					
ind.					