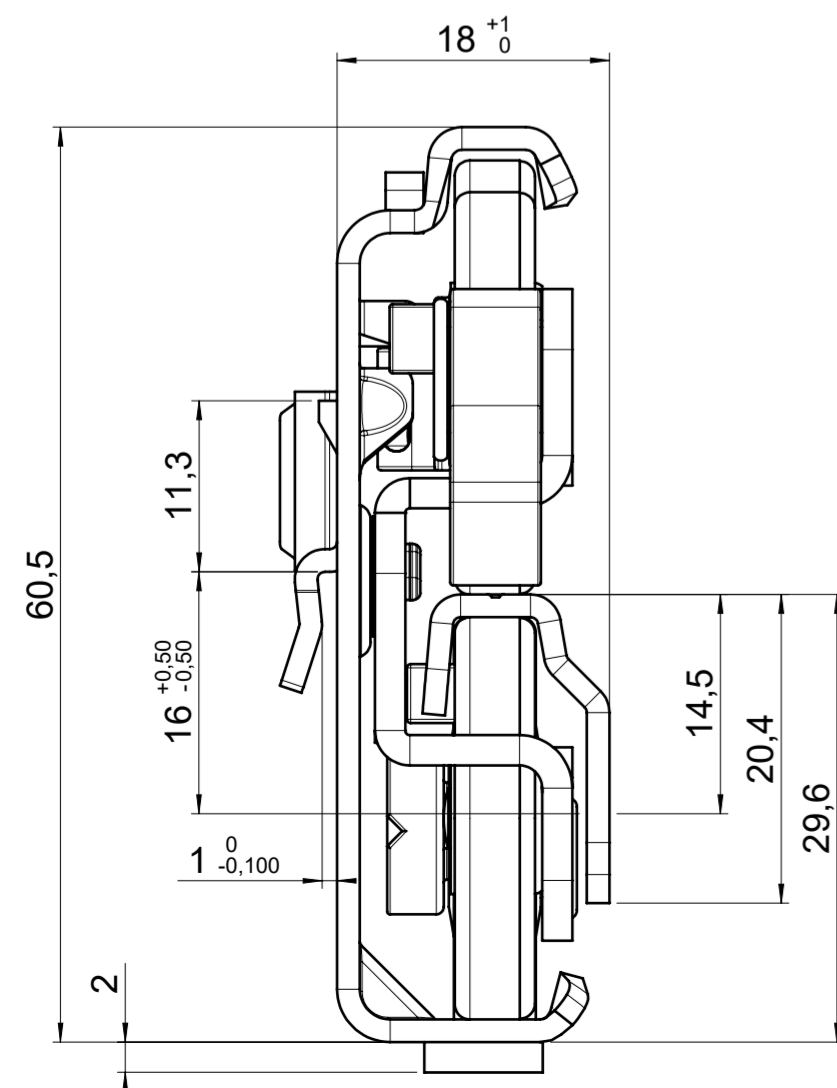
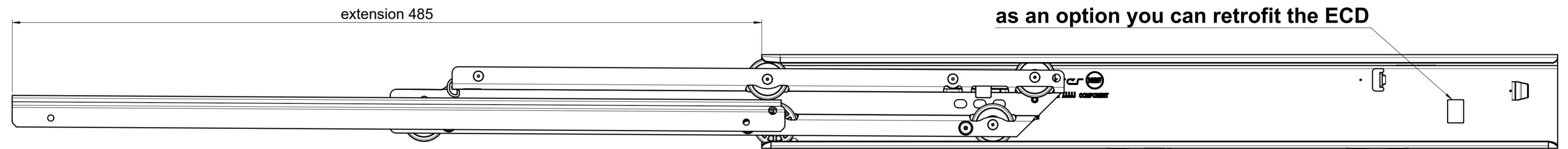
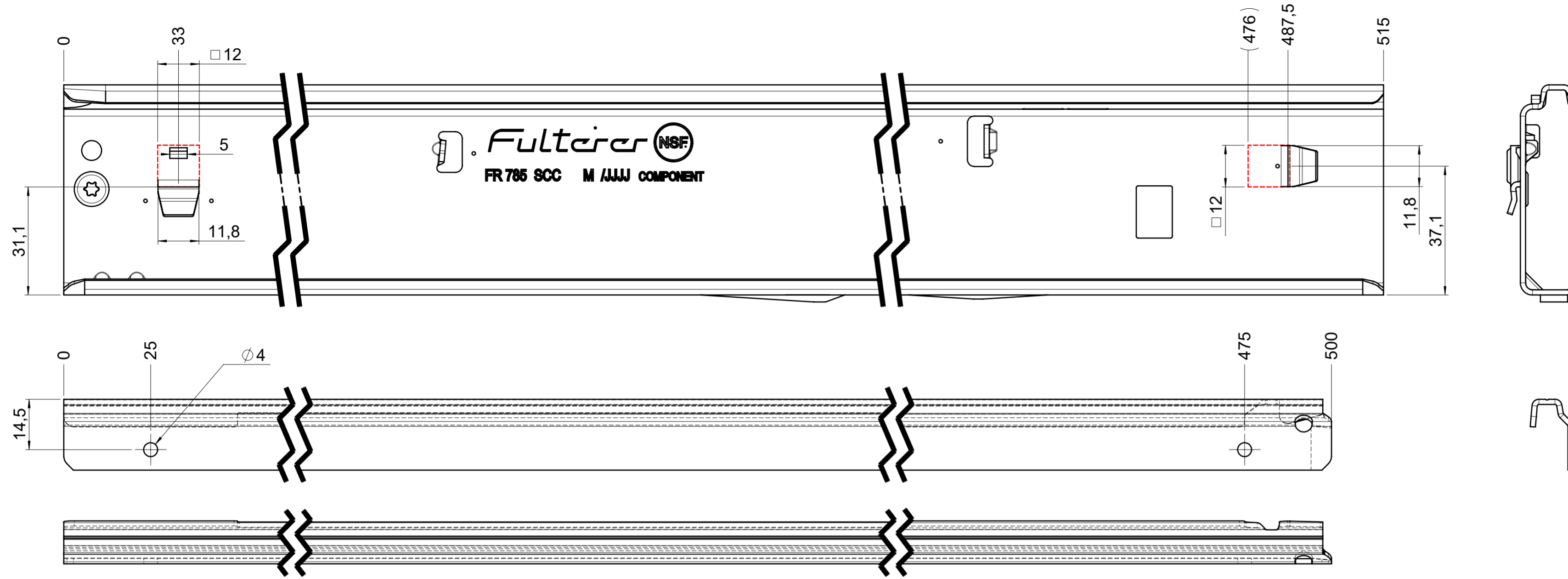


drawn left (right mirrorimage)



final approval

customer name:

signed by:

date:

all dimensions in mm

DIN ISO 128-30
missing dimensions see 3D
= theor. intersection

This drawing remains our property and may not be multiplied neither be disclosed to third parties (§§1,3 and 5 from the copyright Act (UrhG)) covered according to DIN ISO 16016				scale:	surface:	material, semi finished parts:	A2
(k)				1:1		CS	
(l)				date	name	(technical requirements Fulterer)	
(m)				drawn 24-11-2022	ex	description: FR 785 / 50 CS EN (mm) progressive-action full-extension drawerslide / side mount	
(n)				proven 02-01-2023	pr		
(o)				Fulterer		drawing number: CS# 785.500-GA.L526 replaces version date:	
(p)				Fulterer AG & Co KG A-6890 Lustenau / Austria			
(q)				Fulterer AG CH-9430 St. Margrethen			
(r)				changes	date	na.	