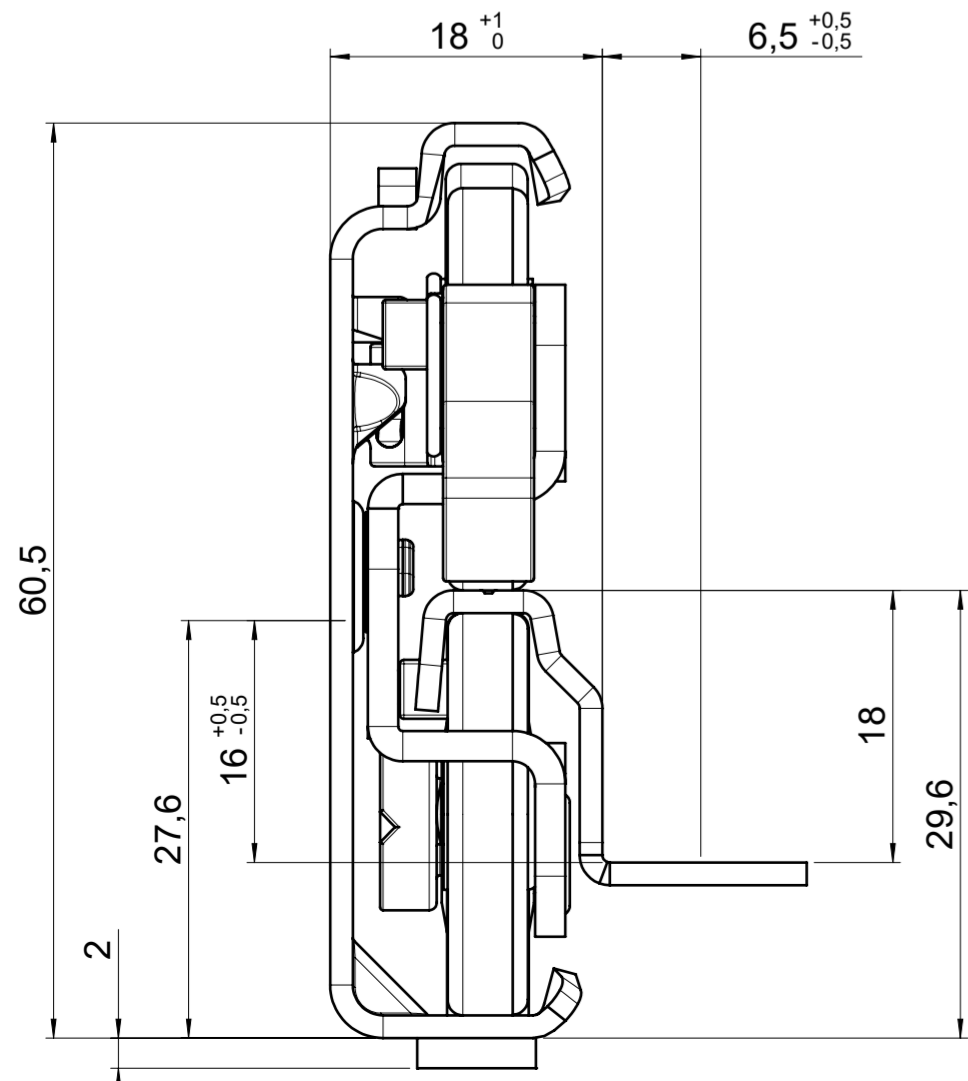
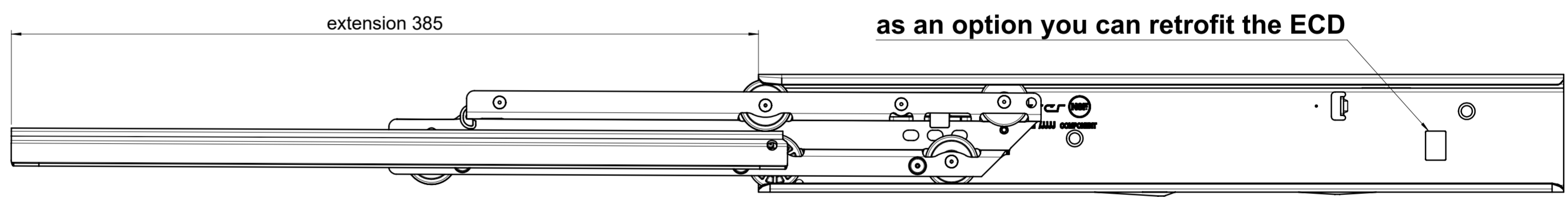
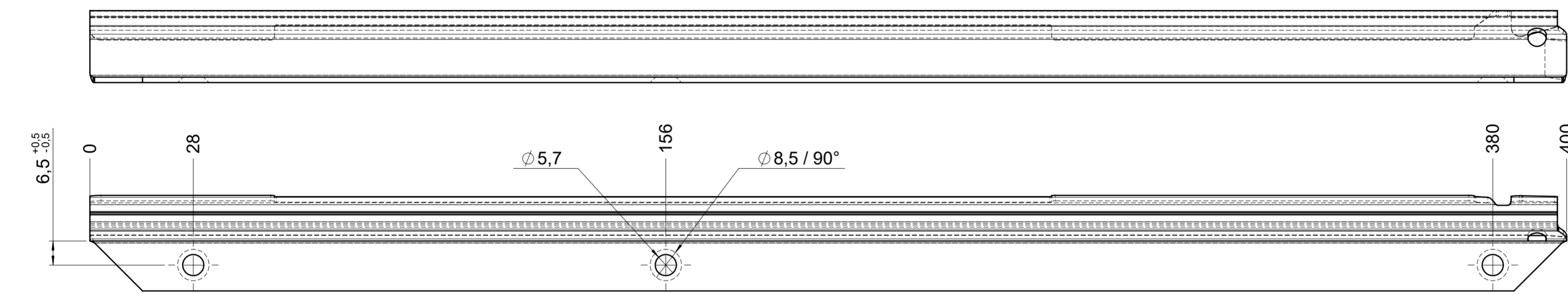
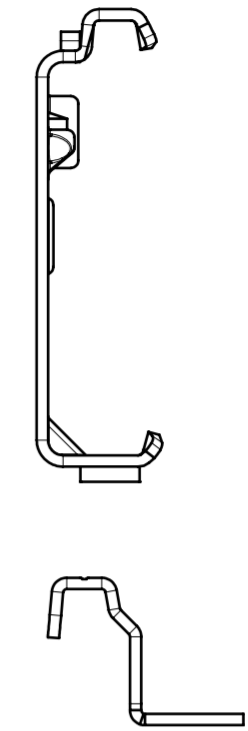
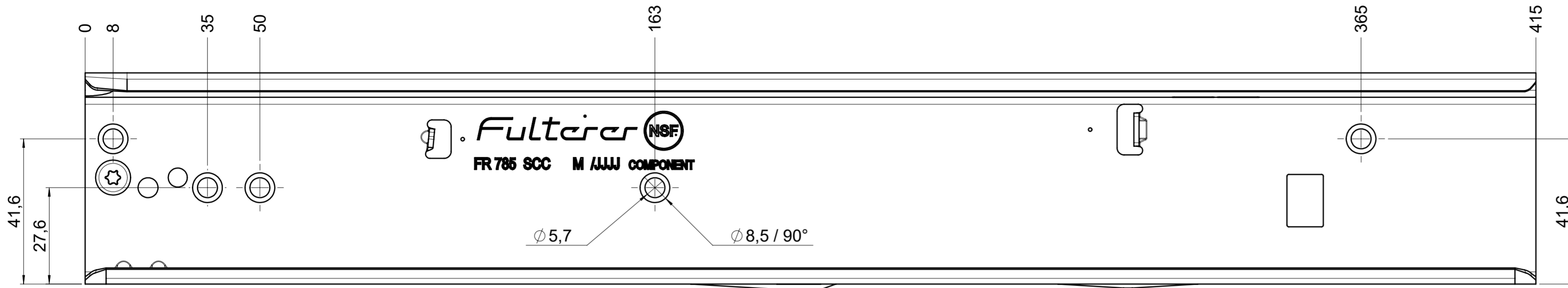


drawn left (right mirrorimage)



final approval

customer name:

signed by:

date:

all dimensions in mm				DIN ISO 128-30 missing dimensions see 3D = theor. intersection	
This drawing remains our property and may not be multiplied neither be disclosed to third parties (§§1,3 and 5 from the copyright Act (UrhG)) covered according to DIN ISO 16016					
scale: 1:1		surface:		material, semi finished parts: CS (technical requirements Fulterer)	
drawn 17-01-2023		date 17-01-2023		description: FR 786 / 40 CS EN (mm) progressive-action full-extension drawerslide / bottom mount	
proven 01-02-2023		name ex pr		drawing number: CS# 786.400-GA.L501	
replaces version date:		Fulterer AG & Co KG A-6890 Lustenau / Austria Fulterer AG CH-9430 St. Margrethen		drawing number: CS# 786.400-GA.L501	
changes		date		na.	